

**Tarsys®
Basic Tilt,
Tilt Only,
Recline 4XP,
Recline Only,
Tilt/Recline
For
Storm Series®
Powered Wheelchairs**



Parts Catalog Usage Guide

The information contained in this document is subject to change without notice. This catalog contains service parts for Form No. 96-194. If you have any questions regarding this catalog, please contact one of our Customer Service Representatives.

For Customer Service Support Call:

1-800-333-6900

For Faxed In Orders Call:

1-800-678-4682 or

1-440-366-0709

For Technical Service Call:

1-800-832-4707

Literature Can Be Found at:

www.invacare.com or

1-800-828-6272

SYMBOL DEFINITION

Throughout this catalog you will notice letters to draw your attention to specific footnotes which are located at the bottom of the page or below specified charts.

Examples:

A,B,C etc. = Special Comments

NOTE: = General information pertaining to that specific page

NLA = No Longer Available

HARDWARE MEASUREMENTS

The measurements for the hardware will be listed as follows:

Screws, Bolts Diameter X Thread Count/Pitch X Length

Washers Inside Diameter X Outside Diameter X Thickness

Spacers Inside Diameter X Outside Diameter X Length

For your convenience, we have supplied an area for you to list your Invacare Representatives.

Name	Phone Numbers

©2008 Invacare Corporation. Elyria, Ohio. Invacare, Yes, you can., the Blue Medallion Design, Storm Series, Arrow, and Tarsys are registered trademarks and Ranger X is a trademark of Invacare Corporation. Otto Bock is a registered trademark of Otto Bock Orthopaedische Industrie GMBH & Co.. SKF is a registered trademark of SKF Industries, Inc.. Motion Systems is a registered trademark of Motion Systems Corporation.

TABLE of CONTENTS

Description	Page Number
Accessories, Anti-Tip Wheel Extension Assembly - For 2G Suspension Arms After 6/30/98 ..	150
Accessories, Armrest - Otto Bock	122
Accessories, Headrest Assembly - A.B.S. Curved Back	124
Accessories, Headrest Assembly - Back Cane Only Option	128
Accessories, Headrest Assembly - Profile and Recessed Back	126
Accessories, Lateral Support Assembly - Basic Recline (4XP) or Tilt/Recline and Recline Only	132
Accessories, Lateral Support Assembly - Basic Recline (4XP) or Tilt/Recline and Recline Only	136
Accessories, Lateral Support Assembly - Basic Tilt and Tilt Only	130
Accessories, Lateral Support Assembly - Basic Tilt and Tilt Only	134
Accessories, Miscellaneous	155
Accessories, Power Wheelchair Tool Kit	153
Accessories, Retrofit Kits for Storm Power Bases	152
Accessories, Vent Tray Assembly (After 4/30/96) - Basic Recline 4XP or Tilt/Recline and Recline Only	145
Accessories, Vent Tray Assembly (After 4/30/96) - Basic Tilt and Tilt Only	142
Accessories, Vent Tray Assembly (Before 5/1/96) - Basic Recline 4XP or Tilt/Recline and Recline Only	140
Accessories, Vent Tray Assembly (Before 5/1/96) - Basic Tilt and Tilt Only	138
Accessories, Vent Tray Battery Box and Basket Assembly (After 4/30/96)	148
Armrest Assembly - Basic Recline 4XP or Tilt/Recline and Recline Only	33
Armrest Assembly - Basic Tilt and Tilt Only After 10/14/98	30
Armrest Assembly - Basic Tilt and Tilt Only Before 10/15/98	27
Back Assembly, A.B.S. Curved - Basic Recline 4XP	38

TABLE of CONTENTS

Description	Page Number
Back Assembly, A.B.S. Curved - Basic Tilt and Tilt Only	35
Back Assembly, A.B.S. Curved - Recline, Fixed Back (Non-VSR)	40
Back Assembly, A.B.S. Curved - Recline, Sliding Back (VSR)	43
Back Assembly, Mechanical Shear Reduction Linkage - Basic Recline 4XP	58
Back Assembly, Profile (Fixed)	46
Back Assembly, Profile (Fixed, Non-VSR)	49
Back Assembly, Profile (Sliding, VSR)	52
Back Assembly, Recessed (Sliding, VSR)	55
Back Cane Assembly - Basic Tilt and Tilt Only	21
Back Cane Assembly - Tilt/Recline and Recline Only	25
Back Cane Assembly (Includes Recline Actuator) - Basic Recline 4XP	23
Electronics - MAX Controller 5.0, 5.5 & 4-Way Switch - Tilt/Recline and Recline Only	81
Electronics - Max Controller 5.0, 5.5 & 4-Way Switch (Tilt Only)	79
Electronics - MAX Controller 5.7 S/N start at TE4000 & 4-Way Switch (Tilt Only)	83
Electronics - MAX Controller 5.7 S/N start at TE4000 & 4-Way Switch (Tilt/Recline and Recline Only)	85
Electronics - Midline Assembly	100
Electronics - MKIV Recliner Control (1815M4) & Recliner Cable - (Basic Tilt and Tilt Only) or (Basic Recline 4XP)	93
Electronics - Quad Link (QLA) After 4/06/06	98
Electronics - Quad Link Assembly Before 4/07/06	94
Electronics - S.F.T. Switch After 1/17/99 w/ Drive Lockout Built In - Basic Recline 4XP	77
Electronics - S.F.T. Switch After 1/17/99 w/ Drive Lockout Built In - Basic Tilt Only	75

TABLE of CONTENTS

Description	Page Number
Electronics - S.F.T. Switch Before 1/18/99 w/ Drive Lockout and DAD Box - Basic Recline 4XP	73
Electronics - S.F.T. Switch Before 1/18/99 w/ Drive Lockout and DAD Box - Basic Tilt Only ..	71
Electronics - T.R.C.M. & 4-Way Switch - Tilt Only or Tilt/Recline and Recline Only	87
Electronics - T.R.C.M. Upgrade Kit with Mercury Switches - Tilt Only or Tilt/Recline and Recline Only	90
Frame, Seat 2" Higher Seat-to-Floor Mounting Plate Assembly - Basic Tilt and Tilt Only	19
Frame, Seat and Hardware - (Basic Tilt and Tilt Only) or (Tilt/Recline and Recline Only)	7
Frame, Seat and Hardware - Basic Recline 4XP	9
Frame, Seat Attaching Hardware - Basic Recline 4XP	14
Frame, Seat Attaching Hardware - Tilt/Recline and Recline Only	16
Frame, Seat Attaching Hardware (Includes Tilt Actuator) - Basic Tilt and Tilt Only	11
Front Rigging - Front Rigging Hanger Assembly - Sector, Genius, Pin, AML4A Smartleg Style	102
Front Rigging - Front Rigging Hanger Assembly - Sector, Genius, Pin, AML4A Style (Basic Recline 4XP)	105
Front Rigging - Legrest, AT5544 (Power) - Tilt Only or Tilt/Recline and Recline Only	108
Front Rigging - Legrest, Genius - (Tilt Only) or (Basic Recline 4XP) or (Tilt/Recline and Recline Only)	111
Front Rigging - Legrest, Mechanical Actuator Linkage With M.S.R. - Basic Recline 4XP	117
Front Rigging - Legrest, Mechanical Actuator Linkage Without M.S.R. - Basic Recline 4XP ..	115
Front Rigging - Legrest, Power Elevating - Basic Recline 4XP	109
Front Rigging - Motor Actuators, Genius and AT5544 Legrest - (Tilt Only) or (Tilt/Recline and Recline Only)	120
Motor Actuators - (Tilt, Recline, V.S.R.) (See Back Cane Assembly For BR4XP)	60
Packaging and Literature	6
Seat Pan and Extensions - Basic Recline 4XP	66

TABLE of CONTENTS

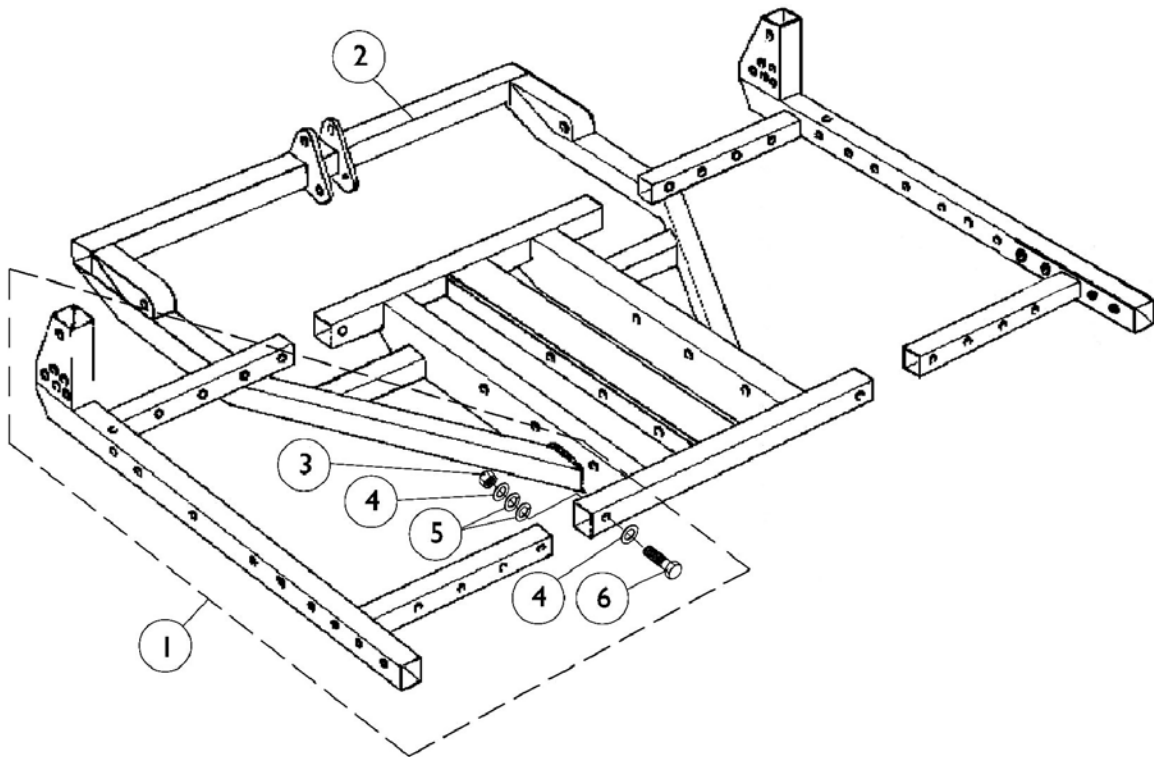
Description	Page Number
Seat Pan and Extensions - Basic Tilt and Tilt Only	63
Seat Pan and Extensions - Tilt/Recline and Recline Only	68

Packaging and Literature

Item Number	Note	Part Number	Description	Quantity Per	
				Package	Assembly
	A,B	0310600	Carton	1	1
	A,B	0310400	Insert, Carton	1	1
	A,C	0289400	Lid, Carton	1	2
	A,C	0289300	Skid Pack Sleeve, Carton	1	1
	A,C	0162400-NLA	Carton, Outer Pack	1	1
	A	0282500	Owners Manual, Basic Recline (4XP)	1	1
	A	1080705	Owners Manual, Basic Tilt, Tilt Only, Recline Only and Tilt/ Recline	1	1
NOTE: A - Not Shown B - Seating System Only C - Seating System with Base					
NOTE: When adjusting or replacing parts, please refer to your owner's manual for assistance.					

Seat Frame and Hardware

(Basic Tilt and Tilt Only) or (Tilt/Recline and Recline Only)



Seat Frame and Hardware

(Basic Tilt and Tilt Only) or (Tilt/Recline and Recline Only)

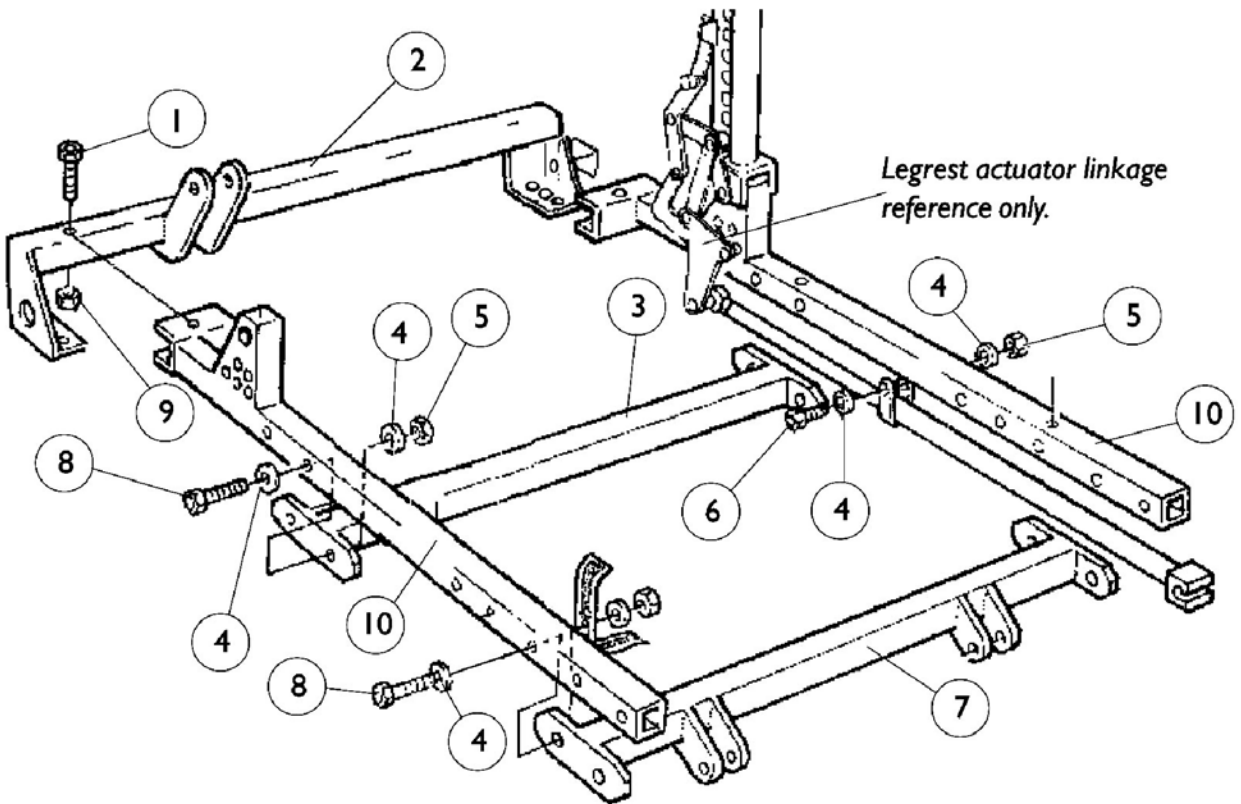
#1 Seat Side Frame and Hardware

Seat Depth	14-15" Wide Right	14-15" Wide Left	16-24" Wide Right	16-24" Wide Left
14"-15" Depth	1072933	1072934	N/A	N/A
16"-20" Depth	1072931-NLA	1072932-NLA	1072744	1072745
21"-24" Depth	N/A	N/A	1072807	1072808

Item Number	Note	Part Number	Description	Quantity Per	
				Package	Assembly
1	A	See Chart	#1 Seat Side Frame and Hardware	1	1
2	B	0114702	Seat Frame	1	1
2	C	0208902	Seat Frame	1	1
3		1025736	Locknut (1/4-20)	1	2
4		0050406	Washer, Flat (1/4 x 5/8 x 1/16")	1	4
5		0050506	Lockwasher, High Collar, Split (1/4")	1	4
6		0051006-NLA	Screw, Hex Head Full Thread (1/4-20 x 1-1/2")	1	2
NOTE: A - Includes seat side frame and items 3-6 B - 14" - 20" Wide C - 21" - 24" Wide					

Seat Frame and Hardware

Basic Recline 4XP

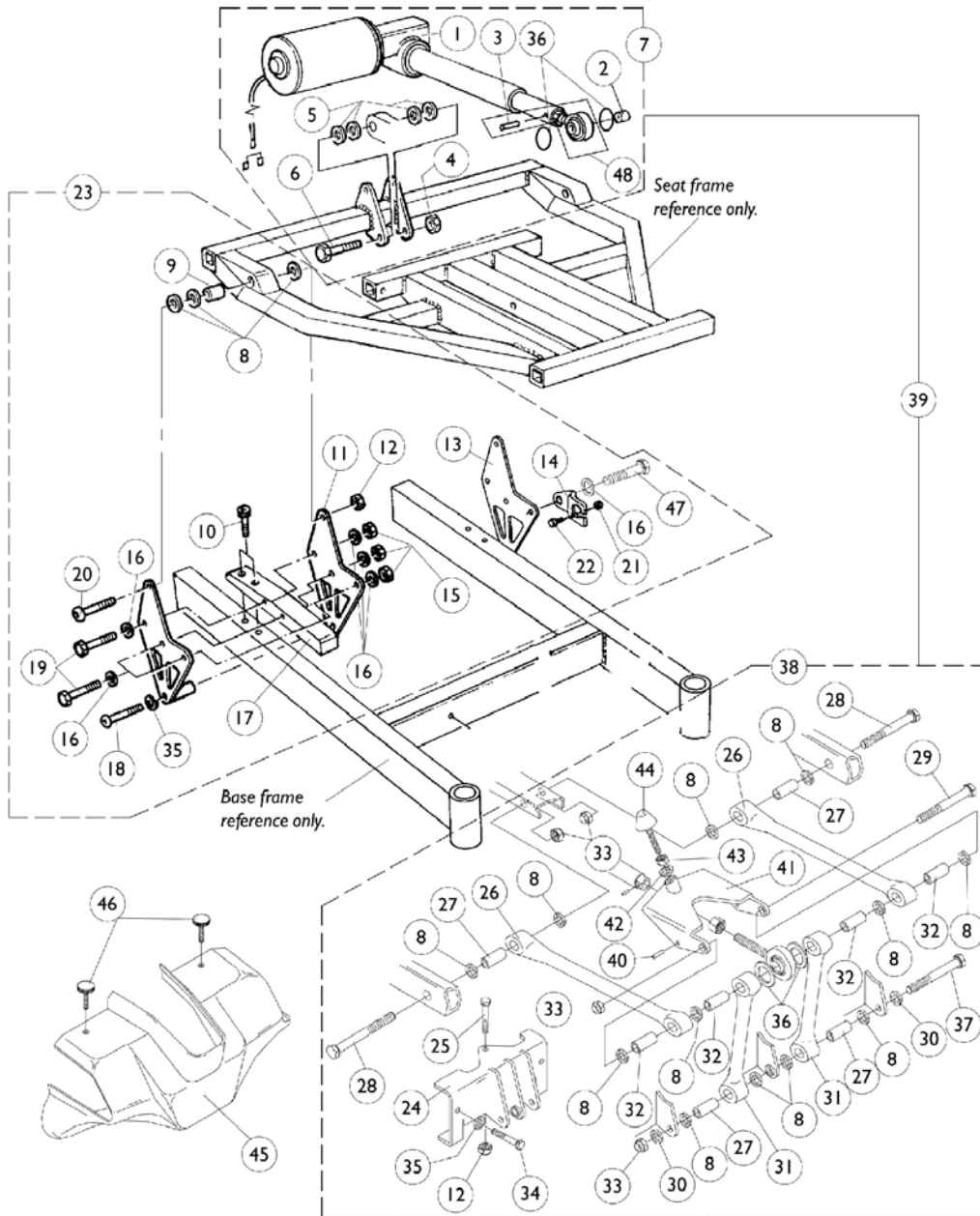


Seat Frame and Hardware Basic Recline 4XP

Item Number	Note	Part Number	Description	Quantity Per	
				Package	Assembly
1		0055306	Screw, Hex Head (5/16-18 x 1-3/4")	1	2
2		0216302	Frame Assembly, Rear (4XP) 16" Wide	1	1
2		0216402	Frame Assembly, Rear (4XP) 18" Wide	1	1
3		0158402	Frame Assembly, Center (4XP) 16" Wide	1	1
3		0158502	Frame Assembly, Center (4XP) 18" Wide	1	1
4		0050406	Washer, Flat (1/4 x 5/8 x 1/16")	1	20
5		1025736	Locknut (1/4-20)	1	10
6		0051006-NLA	Screw, Hex Head Full Thread (1/4-20 x 1-1/2")	1	2
7		0216702	Frame Assembly, Front (4XP) 16" Wide	1	1
7		0216802	Frame Assembly, Center (4XP) 18" Wide	1	1
8		1024793	Screw, Hex Head (1/4-20 x 1-3/4")	1	8
9		0054906	Locknut, High Profile (5/16-18)	1	2
10		0216602	Seat Side Frame (4XP) Right	1	1
10		0216502	Seat Side Frame (4XP) Left	1	1

Seat Frame Attaching Hardware

Basic Tilt and Tilt Only



Seat Frame Attaching Hardware Basic Tilt and Tilt Only

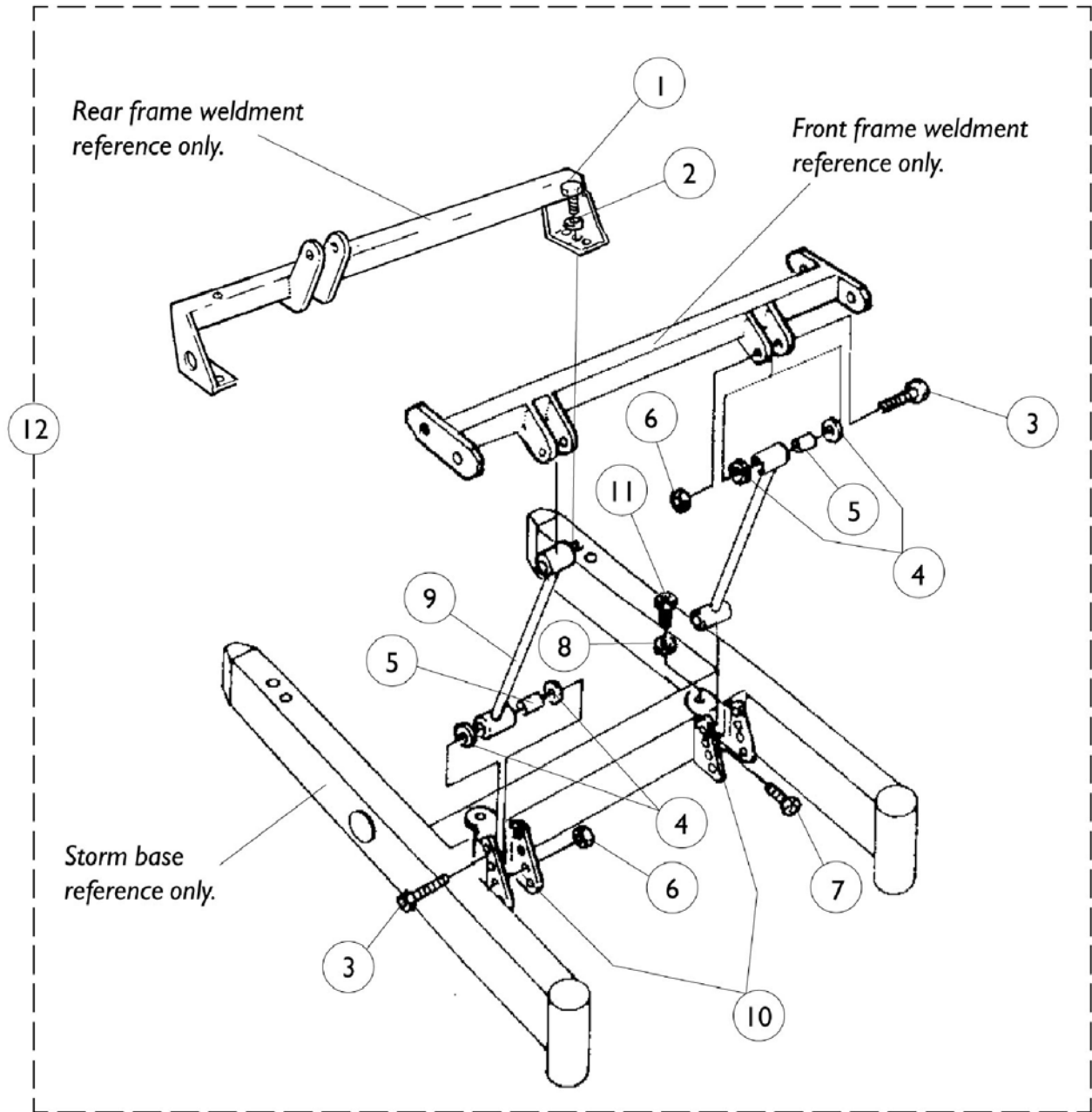
Item Number	Note	Part Number	Description	Quantity Per	
				Package	Assembly
1		0308500	Actuator Assembly, Large 5" Stroke	1	1
2		0060500	Bushing (3/8 x 1/2 x 5/8")	1	1
3		1028848	Roll Pin (1/8" x 7/8")	1	1
4		0054106	Locknut, High Profile (3/8-16)	1	1
5		0053900	Washer, Nylon (3/8 x 13/16 x 1/16")	1	4
6		0054506	Screw, Hex Head (3/8-16 x 2-1/2")	1	1
7		1072786	Actuator, Large 5" Stroke with Hardware	1	1
8		0055800	Washer, Nylon (7/16 x 3/4 x 3/32")	1	16
9		0060300	Bushing, Bronze (5/16 x 7/16 x 1-1/4")	1	2
10		0140506	Screw, Socket Head w/ Thread Lock (5/16 x 18 x 1")	1	4
11		0115102	Plate, Seat Frame Inner Mounting - Right	1	2
11		0115202	Plate, Seat Frame Inner Mounting - Left	1	2
12		0054906	Locknut, High Profile (5/16-18)	1	2
13		0115302	Plate, Seat Frame Outer Mounting - Right	1	2
13		0115402	Plate, Seat Frame Outer Mounting - Left	1	2
14		0190102-NLA	Connector Bracket	1	1
15		7930333	Locknut (1/4-20)	25	6
16		0050406	Washer, Flat (1/4 x 5/8 x 1/16")	1	12
17		0115024	Bar, Mounting	1	2
18		0140406	Screw, Socket Head Cap (5/16-18 x 1-1/2)	1	2
19		0052306-NLA	Screw, Hex Head (1/4-20 x 2-1/4")	1	5
20		0055506	Screw, Socket Head (5/16-18 x 2")	1	2
21		0143205	Locknut, Low Profile (#6-32)	1	2
22		313329	Screw, Phillips Head (#6-32 x 1/2")	1	2
23		1072747	Plates, Seat Frame Mounting w/ Hardware	1	1
24		0115502	Link, Mounting Plate	1	1
25		0139806	Screw, Hex Head (5/16-18 x 3")	1	1
26		0115624	Link, Tilt Upper	1	2
27		0120300	Bushing (3/8 x 1/2 x 7/8")	1	4
28		0054506	Screw, Hex Head (3/8-16 x 2-1/2")	1	2
29		0140306	Screw, Hex Head (3/8-16 x 4-1/2")	1	1
30		0140006	Washer (13/32 x 5/8 x 1/32")	1	2
31		0115724	Link, Tilt Lower	1	2
32		0120100	Bushing (3/8 x 1/2 x 3/4")	1	4
33		0054106	Locknut, High Profile (3/8-16)	1	4
34		0139606	Screw, Hex Head (5/16-18 x 1")	1	2
35		1072692	Lockwasher, Split (5/16")	1	4
36		0140600	Washer, Rubber (13/16 x 13/32 x 3/32)	1	2
37		0140206	Screw, Hex Head (3/8-16 x 3-1/2")	1	1
38	D	1072809	Hardware, Seat Frame Mounting	1	1
39		1072746	Tilt Actuator w/ Tilt Mounting Hardware	1	1
40		1077357	Pin, Roll (3/16 x 1-1/8" Long)	1	1
41		0211102	Tilt Stop Weldment	1	1

Seat Frame Attaching Hardware Basic Tilt and Tilt Only

Item Number	Note	Part Number	Description	Quantity Per	
				Package	Assembly
42		1077358	Lockwasher, Split (3/8-16)	1	1
43		1077359	Nut, Hex (3/8-16)	1	1
44		0225100	Bumper, Tilt	1	1
45	C	0309019-NLA	Cover, Controller	1	1
46		1077365	Knob, Thumb Screw (5/16-18 x 1")	1	1
47		0052206	Screw, Hex Head (1/4-20 x 2-1/2")	1	1
48	A	0313900	Rod End with Locknut and Roll Pin	1	1
48	B	1077197	Rod End w/ Locknut and Roll Pin	1	1
NOTE: A - SKF Actuator B - Motion Systems Actuator C - Tarsys/Storm D - Tilt					

Seat Frame Attaching Hardware

Basic Recline 4XP

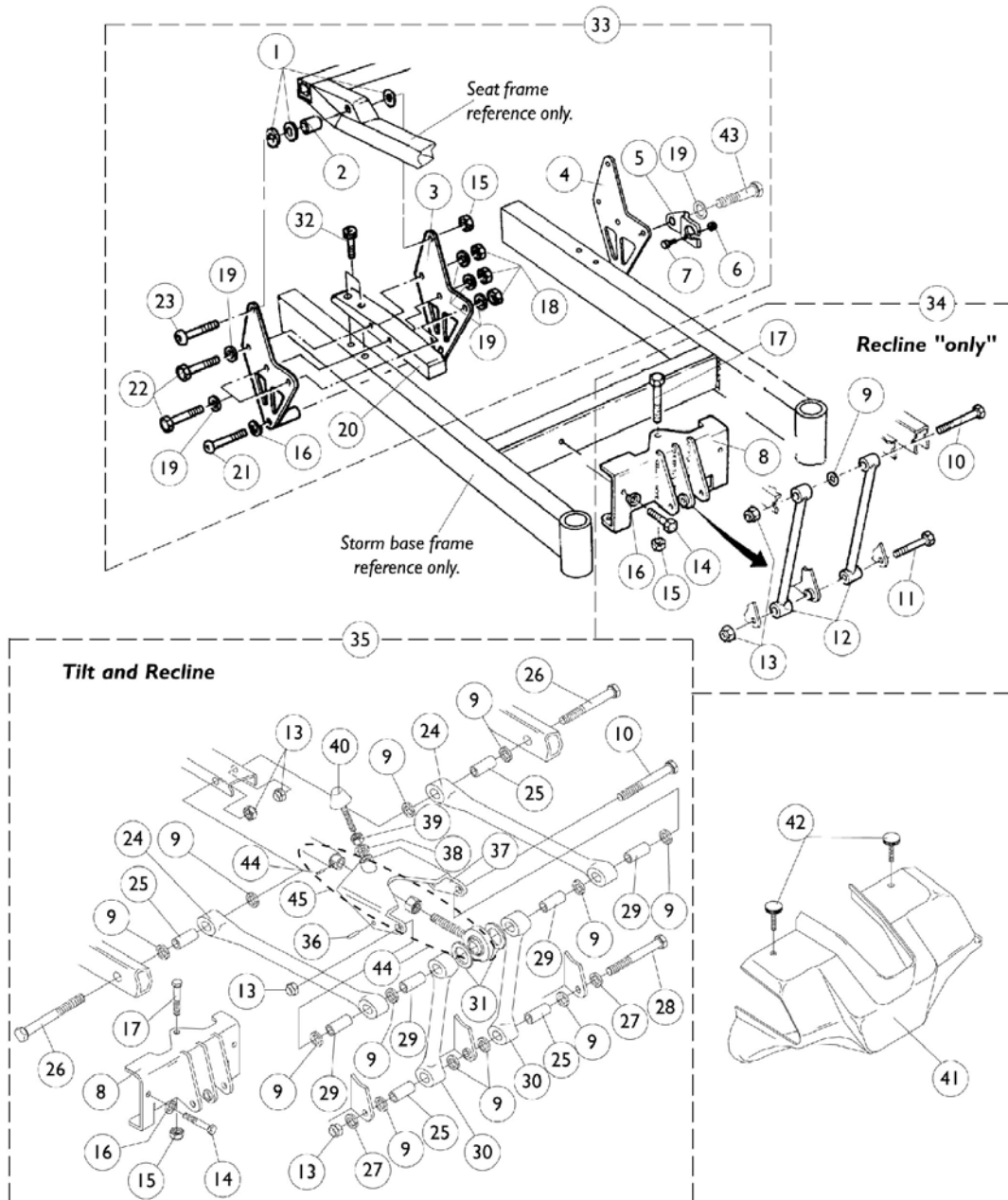


Seat Frame Attaching Hardware Basic Recline 4XP

Item Number	Note	Part Number	Description	Quantity Per	
				Package	Assembly
1		0140506	Screw, Socket Head w/ Thread Lock (5/16 x 18 x 1")	1	4
2		0054806	Washer, Flat (5/16")	1	4
3		0131406	Screw, Hex Head (5/16-18 x 1-3/4")	1	4
4		0139900	Washer, Nylon (1/2 x 3/4 x 3/32")	1	8
5		0280700	Bushing (5/16 x 1/2 x 7/8")	1	4
6		0054906	Locknut, High Profile (5/16-18)	1	4
7		0055406	Screw, Socket Head (5/16-18 x 1")	1	2
8		1072692	Lockwasher, Split (5/16")	1	2
9		0115724	Link, Tilt Lower	1	2
10		0215300	Bracket, Seat Support	1	2
11		0139606	Screw, Hex Head (5/16-18 x 1")	1	2
12		1077373	Hardware Assembly, Seat Attaching (4XP)	1	1

Seat Frame Attaching Hardware

Tilt/Recline and Recline Only



Seat Frame Attaching Hardware Tilt/Recline and Recline Only

Item Number	Note	Part Number	Description	Quantity Per	
				Package	Assembly
1		0055800	Washer, Nylon (7/16 x 3/4 x 3/32")	1	6
2		0060300	Bushing, Bronze (5/16 x 7/16 x 1-1/4")	1	2
3		0115102	Plate, Seat Frame Inner Mounting - Right	1	2
3		0115202	Plate, Seat Frame Inner Mounting - Left	1	2
4		0115302	Plate, Seat Frame Outer Mounting - Right	1	1
4		0115402	Plate, Seat Frame Outer Mounting - Left	1	1
5		0190102-NLA	Connector Bracket	1	1
6		0143205	Locknut, Low Profile (#6-32)	1	2
7		313229-NLA	Screw, Phillips Pan Head (#6-32 x 1/2")	1	2
8		0115502	Link, Mounting Plate	1	1
9		0055800	Washer, Nylon (7/16 x 3/4 x 3/32")	1	11
10		0140306	Screw, Hex Head (3/8-16 x 4-1/2")	1	2
11		0140206	Screw, Hex Head (3/8-16 x 3-1/2")	1	1
12		0118524	Link, Tilt	1	2
13		0054106	Locknut, High Profile (3/8-16)	1	5
14		0139606	Screw, Hex Head (5/16-18 x 1")	1	2
15		0054906	Locknut, High Profile (5/16-18)	1	1
16		1072692	Lockwasher, Split (5/16")	1	4
17		0139806	Screw, Hex Head (5/16-18 x 3")	1	1
18		7930333	Locknut (1/4-20)	25	6
19		0050406	Washer, Flat (1/4 x 5/8 x 1/16")	1	12
20		0115024	Bar, Mounting	1	2
21		0140406	Screw, Socket Head Cap (5/16-18 x 1-1/2)	1	2
22		0052306-NLA	Screw, Hex Head (1/4-20 x 2-1/4")	1	5
23		0055506	Screw, Socket Head (5/16-18 x 2")	1	2
24		0115624	Link, Tilt Upper	1	2
25		0120300	Bushing (3/8 x 1/2 x 7/8")	1	4
26		0054506	Screw, Hex Head (3/8-16 x 2-1/2")	1	1
27		0140006	Washer (13/32 x 5/8 x 1/32")	1	4
28		0140206	Screw, Hex Head (3/8-16 x 3-1/2")	1	1
29		0120100	Bushing (3/8 x 1/2 x 3/4")	1	4
30		0115724	Link, Tilt Lower	1	2
31		0140600	Washer, Rubber (13/16 x 13/32 x 3/32)	1	2
32		0140506	Screw, Socket Head w/ Thread Lock (5/16 x 18 x 1")	1	2
33		1072747	Plates, Seat Frame Mounting w/ Hardware	1	1
34	A	1072810-NLA	Hardware, Seat Frame Mounting	1	1
35	B	1072809	Hardware, Seat Frame Mounting	1	1
36		1077357	Pin, Roll (3/16 x 1-1/8" Long)	1	1
37		0211102	Tilt Stop Weldment	1	1
38		1077358	Lockwasher, Split (3/8-16)	1	1
39		1077359	Nut, Hex (3/8-16)	1	1
40		0225100	Bumper, Tilt	1	1
41	C	0309019-NLA	Cover, Controller	1	1

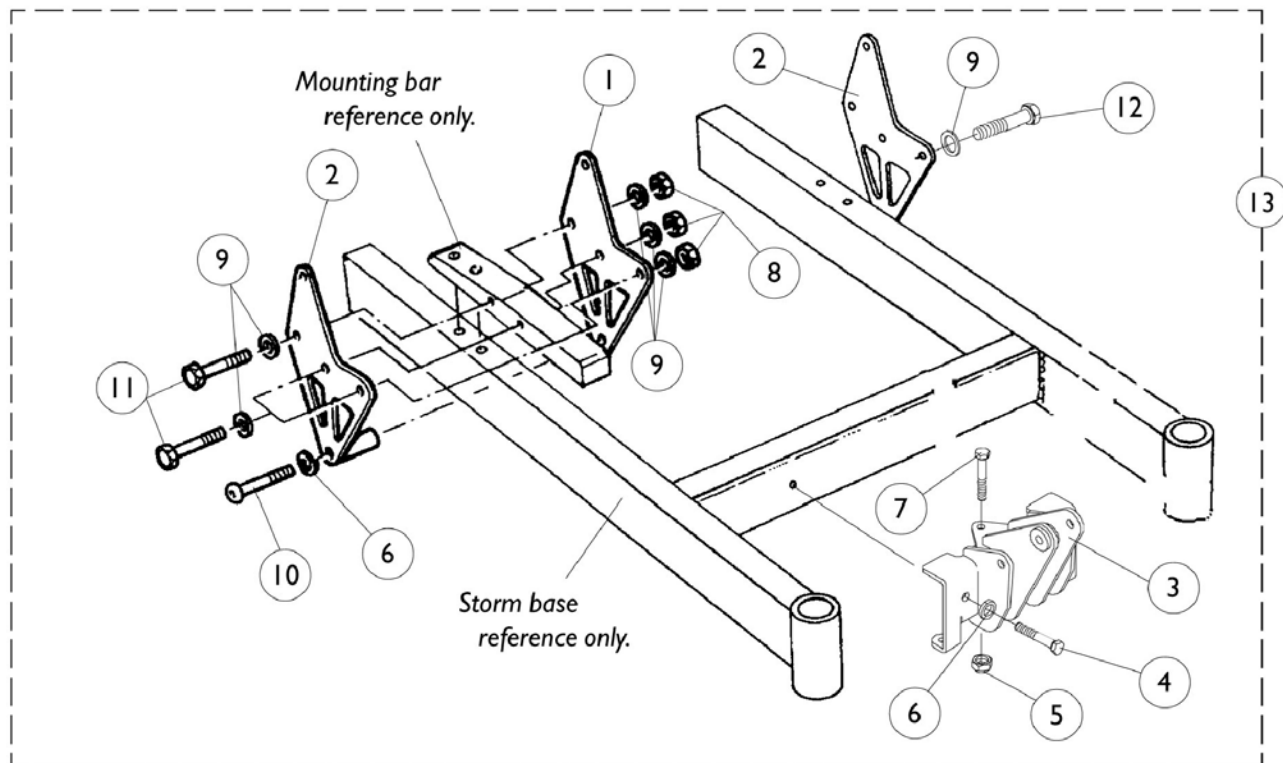
Seat Frame Attaching Hardware Tilt/Recline and Recline Only

Item Number	Note	Part Number	Description	Quantity Per	
				Package	Assembly
42		1077365	Knob, Thumb Screw (5/16-18 x 1")	1	1
43		0052206	Screw, Hex Head (1/4-20 x 2-1/2")	1	1
44		0308600	Roll Pin (1/8 x 7/8")	1	1
45	D	0313900	Rod End with Locknut and Roll Pin	1	1
45	E	1077197	Rod End w/ Locknut and Roll Pin	1	1
NOTE: A - Recline "Only" B - Tilt "and" Recline C - Tarsys/Storm D - SKF Actuator E - Motion Systems Actuator					

2" Higher Seat-to-Floor Mounting Plate Assembly

Basic Tilt and Tilt Only

NOTE: Storm Arrow heavy duty bases come standard with 2" higher seat-to-floor assemblies. Non-heavy duty bases are done as a "special" when ordered "on-chair" with the original order.



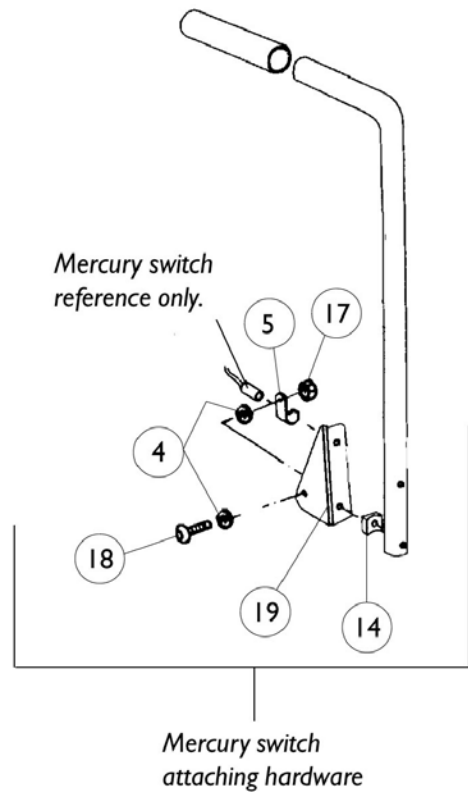
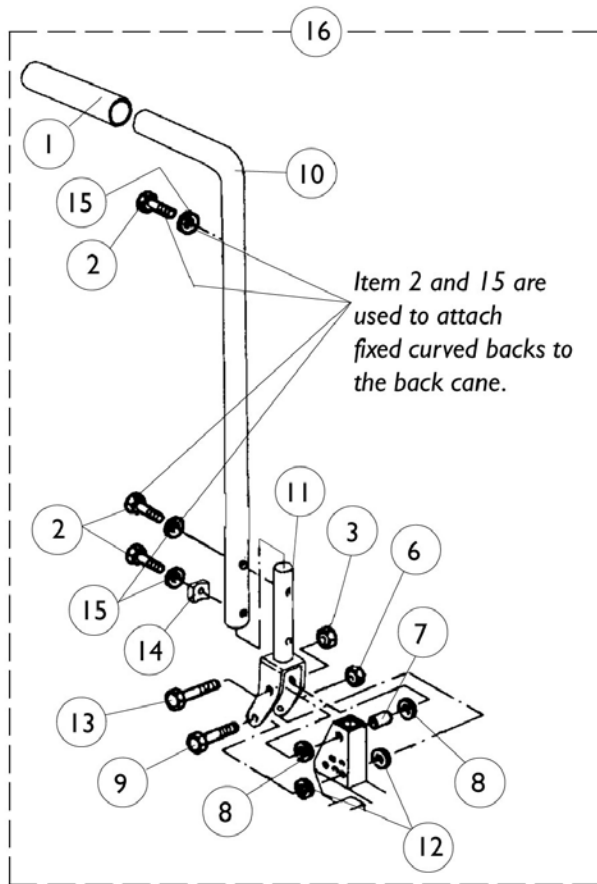
2" Higher Seat-to-Floor Mounting Plate Assembly Basic Tilt and Tilt Only

Item Number	Note	Part Number	Description	Quantity Per	
				Package	Assembly
1		0195302	Mounting Plate, Seat Frame Inner 20" S.T.F. - Right	1	1
1		0195202	Mounting Plate, Seat Frame Inner 20" S.T.F. - Left	1	1
2		0195502	Mounting Plate, Seat Frame Outer 20" S.T.F. - Right	1	1
2		0195402	Mounting Plate, Seat Frame Outer 20" S.T.F. - Left	1	1
3		0188202	Mounting Plate, Link 20" S.T.F.	1	1
4		0139606	Screw, Hex Head (5/16-18 x 1")	1	2
5		0054906	Locknut, High Profile (5/16-18)	1	2
6		1072692	Lockwasher, Split (5/16")	1	4
7		0139806	Screw, Hex Head (5/16-18 x 3")	1	1
8		7930333	Locknut (1/4-20)	25	6
9		0050406	Washer, Flat (1/4 x 5/8 x 1/16")	1	12
10		0140406	Screw, Socket Head Cap (5/16-18 x 1-1/2)	1	2
11		0052306-NLA	Screw, Hex Head (1/4-20 x 2-1/4")	1	5
12		0052206	Screw, Hex Head (1/4-20 x 2-1/2")	1	1
13	A	1072683	Retrofit Assembly to Raise Seat-To-Floor 2"	1	1

NOTE: A - Includes items 1-12

Back Cane Assembly

Basic Tilt and Tilt Only

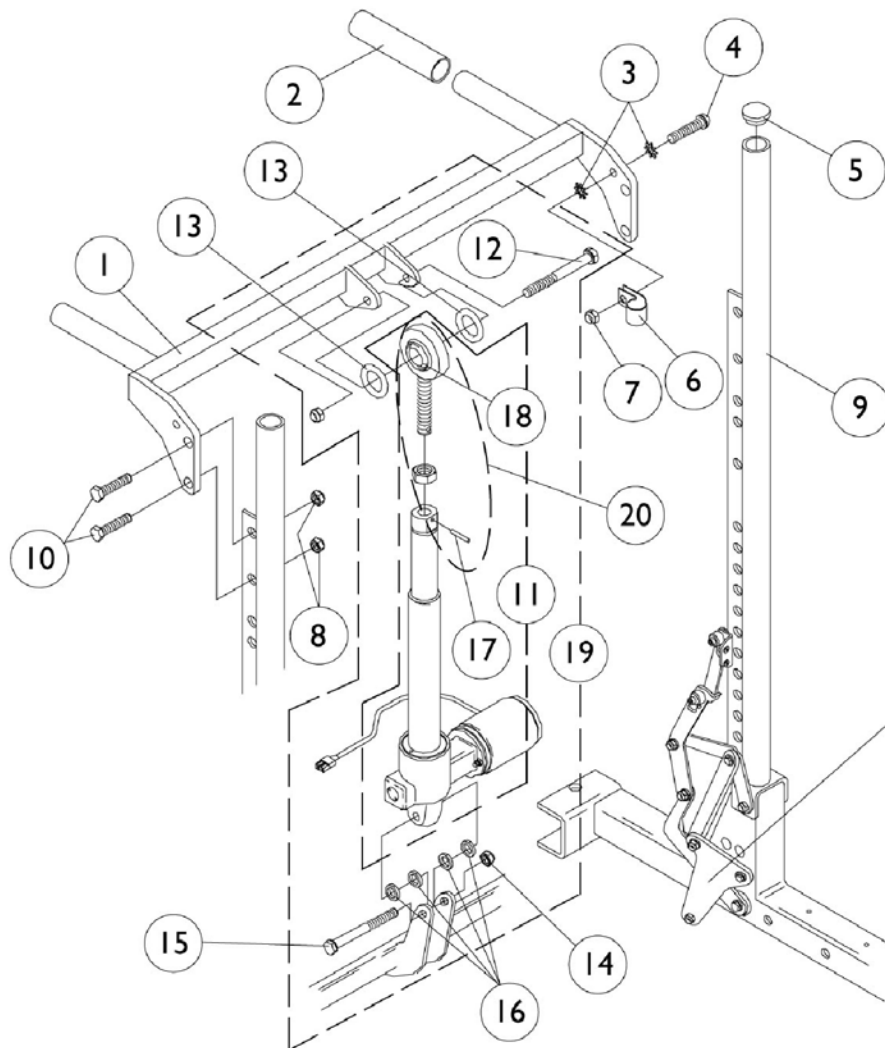


Back Cane Assembly Basic Tilt and Tilt Only

Item Number	Note	Part Number	Description	Quantity Per	
				Package	Assembly
1		0014500	Hand Grip	1	1
2		0053006-NLA	Screw, Hex Head (1/4-20 x 3/4")	1	3
3		7930333	Locknut (1/4-20)	25	1
4		0050006	Lockwasher, Split (1/4")	2	2
5		0062800	Bracket, Cable/Wire Mounting, Black	1	1
6		0054906	Locknut, High Profile (5/16-18)	1	1
7		0060600	Bushing (7/16 x 5/16 x 1-1/4")	1	1
8		0055800	Washer, Nylon (7/16 x 3/4 x 3/32")	1	4
9		0055506	Screw, Socket Head (5/16-18 x 2")	1	1
10		0309902	Back Cane w/ Grip	1	1
11		0116702	Mounting Post	1	1
12		0054700	Washer, Nylon (5/16 x 1/2 x 1/16")	1	4
13		0052606	Screw, Hex Head (1/4-20 x 2")	1	1
14		0049824	Spacer, Coved (7/8")	1	1
15		0050506	Lockwasher, High Collar, Split (1/4")	1	3
16		1072788	Back Cane Assembly w/ Hardware	1	1
17		7930332	Locknut, High Profile (#10-32)	25	1
18		0139306	Screw, Socket Button Head (#10-32 x 3/4")	1	1
19		0002902	Bracket, Mounting - Left	1	1

Back Cane Assembly

Basic Recline (4XP)



*Legrest actuator linkage
reference only.*

Back Cane Assembly Basic Recline (4XP)

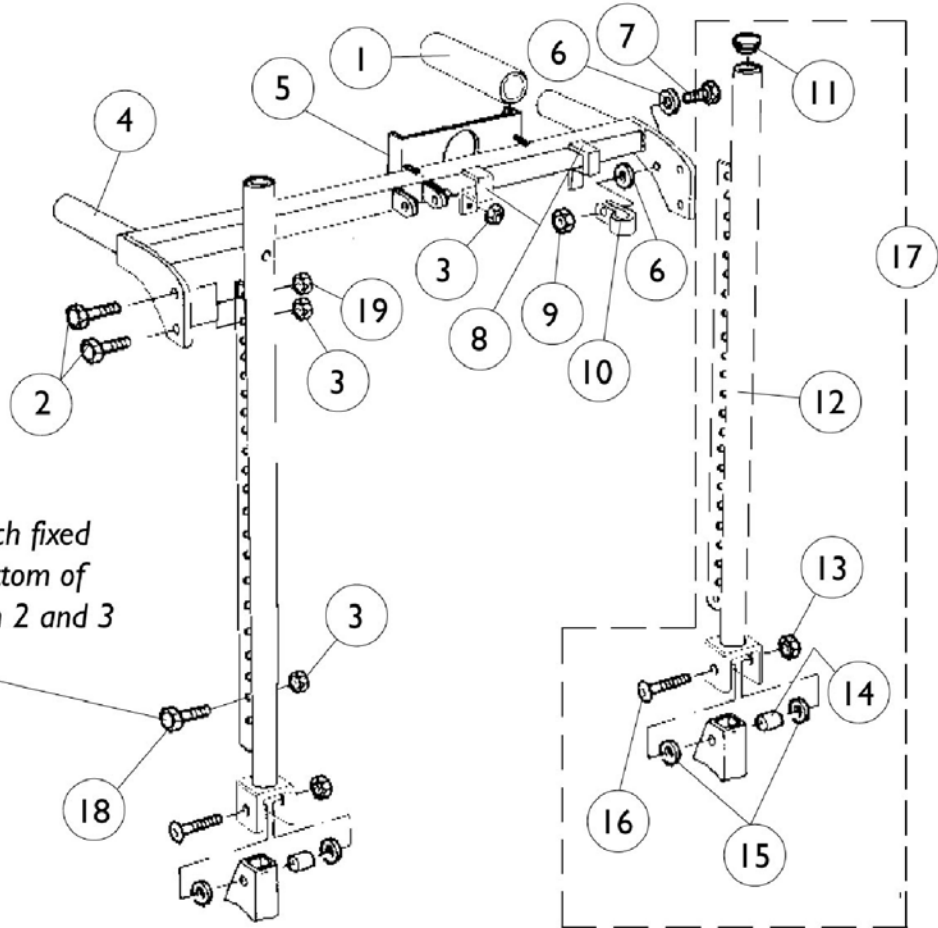
Item Number	Note	Part Number	Description	Quantity Per	
				Package	Assembly
1	A	1077416	Push Bar with Hardware, 16" Wide	1	1
1	A	1077417	Push Bar with Hardware, 18" Wide	1	1
2		0014500	Hand Grip	1	2
3		1077143	Lockwasher, External Tooth (#10)	1	2
4		0139306	Screw, Socket Button Head (#10-32 x 3/4")	1	1
5		1027095	Plug Button, Black (7/8")	1	2
6		0062800	Bracket, Cable/Wire Mounting, Black	1	1
7		7930332	Locknut, High Profile (#10-32)	25	1
8		7930333	Locknut (1/4-20)	25	4
9		0029324	Back Post, Recliner	1	2
10		0053006-NLA	Screw, Hex Head (1/4-20 x 3/4")	1	4
11		0309600	Actuator, Basic Recline (4XP) 4.5" Stroke	1	1
12		0054606	Screw, Hex Head (3/8-16 x 2")	1	1
13		0056000	O-Ring (1/2 x 7/8 x 3/16")	1	2
14		0054106	Locknut, High Profile (3/8-16)	1	2
15		0054506	Screw, Hex Head (3/8-16 x 2-1/2")	1	1
16		0053900	Washer, Nylon (3/8 x 13/16 x 1/16")	1	4
17		1028848	Roll Pin (1/8" x 7/8")	1	1
18		0060500	Bushing (3/8 x 1/2 x 5/8")	1	1
19	B	1077402	Actuator w/Attaching Hardware	1	1
20	C	0313900	Rod End with Locknut and Roll Pin	1	1
20	D	1077197	Rod End w/ Locknut and Roll Pin	1	1

NOTE: A - Includes items 2, 8, 10
B - Includes items 11-18
C - SKF Actuator
D - Motion Systems Actuator

Back Cane Assembly

Tilt/Recline and Recline Only

Item 18 is used to attach fixed curved backs to the bottom of the back cane and item 2 and 3 are used at the top.



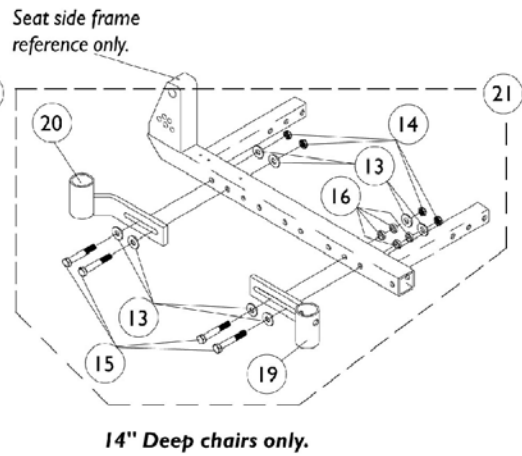
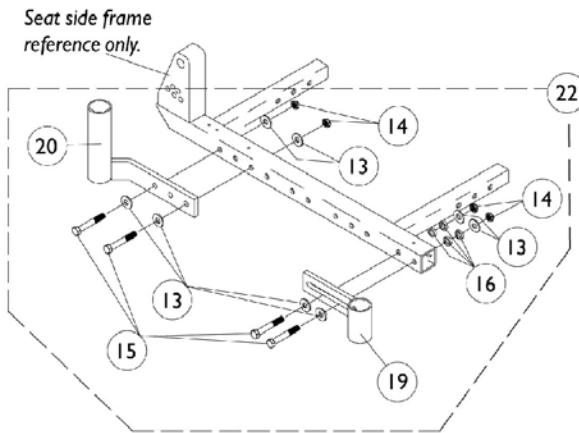
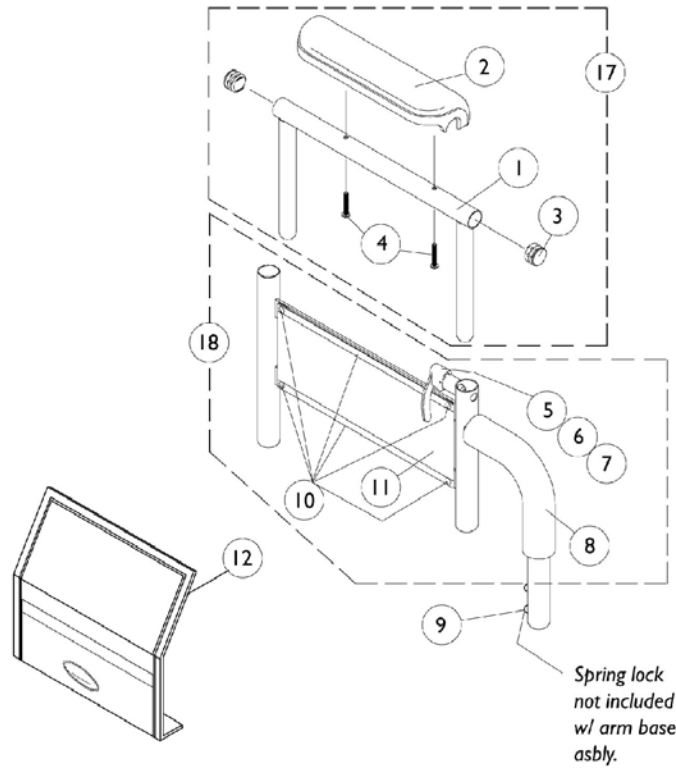
Back Cane Assembly Tilt/Recline and Recline Only

Item Number	Note	Part Number	Description	Quantity Per	
				Package	Assembly
1		0014500	Hand Grip	1	2
2		0053006-NLA	Screw, Hex Head (1/4-20 x 3/4")	1	4
3		7930333	Locknut (1/4-20)	25	6
4	B	1072883	Push Bar with Hardware, 14" Wide	1	1
4	B	1072884	Push Bar with Hardware, 15" Wide	1	1
4	B	1072812	Push Bar with Hardware, 16" Wide	1	1
4	B	1072813	Push Bar with Hardware, 17" Wide	1	1
4	B	1072814	Push Bar with Hardware, 18" Wide	1	1
4	B	1072815	Push Bar with Hardware, 19" Wide	1	1
4	B	1072816	Push Bar with Hardware, 20" Wide	1	1
4	B	1072885	Push Bar with Hardware, 21" Wide	1	1
4	B	1072886	Push Bar with Hardware, 22" Wide	1	1
5	A	0117206	Mounting Plate, Max Controller (4.0-5.5)	1	1
6		0050006	Lockwasher, Split (1/4")	2	2
7		0067106	Screw, Phillips Pan Head (#10-32 x 1/2")	1	1
8		0188902	Mounting Bracket, Max Controller	1	2
9		7930332	Locknut, High Profile (#10-32)	25	1
10		0062800	Bracket, Cable/Wire Mounting, Black	1	1
11		1027095	Plug Button, Black (7/8")	1	2
12		0029324	Back Post, Recliner	1	2
13		0054906	Locknut, High Profile (5/16-18)	1	2
14		0060600	Bushing (7/16 x 5/16 x 1-1/4")	1	2
15		0055800	Washer, Nylon (7/16 x 3/4 x 3/32")	1	4
16		0055506	Screw, Socket Head (5/16-18 x 2")	1	2
17		1072811	Back Cane Assembly with Hardware	1	2
18		0053006-NLA	Screw, Hex Head (1/4-20 x 3/4")	1	2
19		7930323	Package, Locknut (1/4-20)	25	2

NOTE: A - Only used on systems with 4.0 to 5.5 MAX box.
B - Includes items 1-3

Armrest Assembly

Non-Flip Back Arms Before 10/15/98 Basic Tilt and Tilt Only



Armrest Assembly

Non-Flip Back Arms Before 10/15/98

Basic Tilt and Tilt Only

Item Number	Note	Part Number	Description	Quantity Per	
				Package	Assembly
1		1041522	Arm Tube, Upper with Plug Buttons (Black) - Full Length	1	1
1		1070859	Arm Tube, Upper with Plug Buttons (Black) - Desk Length	1	1
2	A	1117328	Arm Pad, Full Length, Urethane Waterfall with Screws, Black (13" L x 2-5/8" W)	1	1
2		1110818	Arm Pads, Full Length, Urethane Waterfall with Screws, Black (13" L x 2-5/8" W) (Pair)	2	1
2	A	1117327	Arm Pad, Desk Length, Urethane Waterfall with Screws, Black (9" L x 2-5/8" W)	1	1
2		1110817	Arm Pads, Desk Length, Urethane Waterfall with Screws, Black (9" L x 2-5/8" W) (Pair)	2	1
3		1027095	Plug Button, Black (7/8")	1	2
4		1055949	Screws, Phillips Pan Head (#10-32 x 1-1/8")	2	1
4	B	1094270	Screw, Phillips Pan Head (#10-32 x 1-1/4") (Pair)	2	1
5		1090768	Kit, Lock Handle w/Rivets (both LT & RT side)	2	1
6		47471X074	Spring, Arm Lock	1	1
7		1028594	Pin, Arm Lock	1	1
8		1032245	Grip, Foam Hand (6-7/8" Long)	1	1
9		1018225	Spring, Torsion with Button Lock	1	1
10		1028645	Rivet	1	6
11		1064130	Clothing Guard	1	1
12		1035065	Cover, Clothing Guard with Pocket - For Fixed Height Desk Length & Adjustable Height Full/Desk Length	1	1
13		0050406	Washer, Flat (1/4 x 5/8 x 1/16")	1	8
14		7930333	Locknut (1/4-20)	25	4
15		1024793	Screw, Hex Head (1/4-20 x 1-3/4")	1	4
16		0050506	Lockwasher, High Collar, Split (1/4")	1	4
	C	See Chart	Armrest Assembly - 14-15" Deep	1	1

NOTE: A - As of 1/3/02 upholstered waterfall armpads were replaced with black urethane waterfall armpads. Order in pairs with screws for chairs serviced before 1/3/02.
 B - For Black Urethane Waterfall Arm Pads only
 C - Not Shown

Item Number	17	17	18	19	20	21
Description	Arm Tube with Arm Pad Full Length	Arm Tube with Arm Pad Desk Length	Arm Base Assembly	Armrest Socket Front	Armrest Socket Rear	Armrest Mounting Hardware

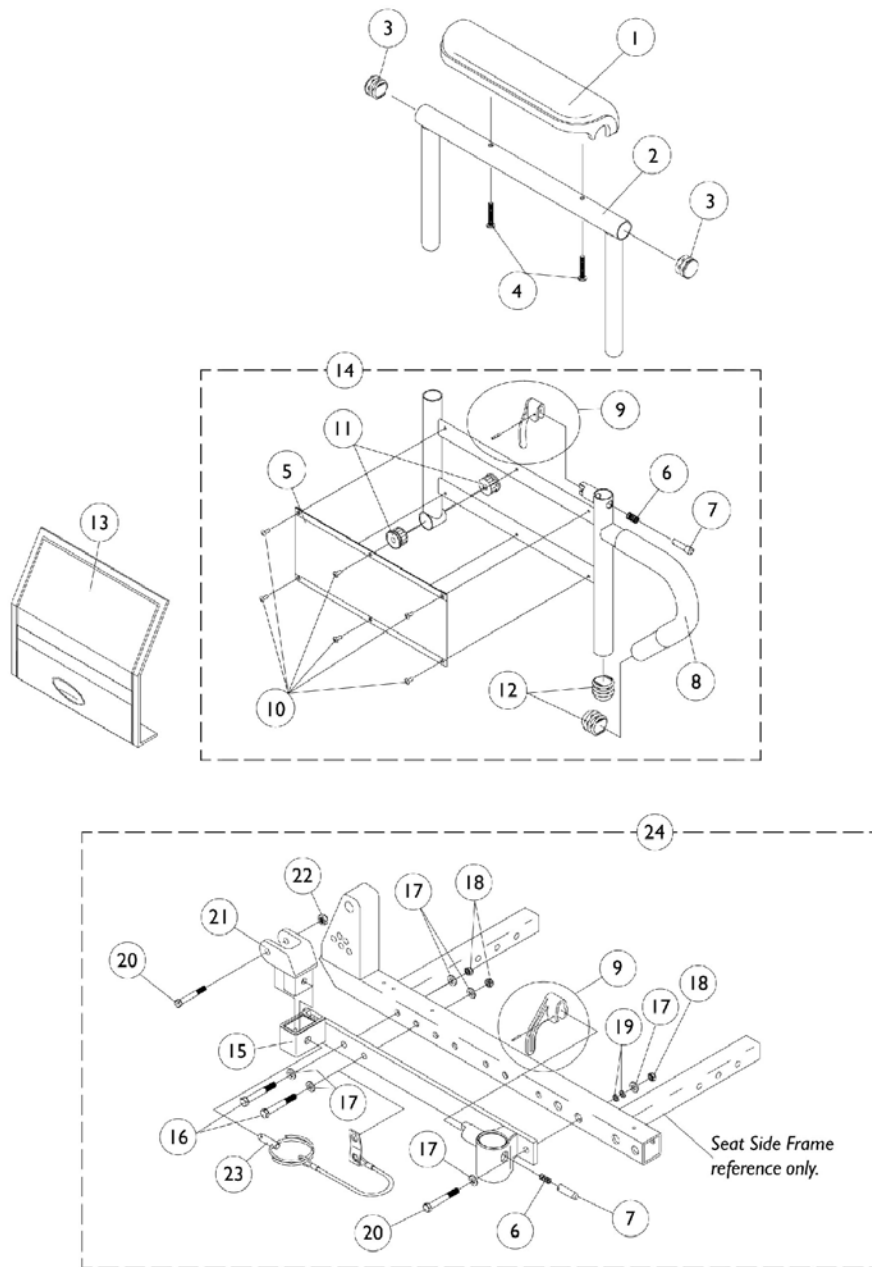
Armrest Assembly
Non-Flip Back Arms Before 10/15/98
Basic Tilt and Tilt Only

Item Number	17	17	18	19	20	21
14" Deep Right	1110821 See Note(s) A	1110819 See Note(s) A	1072943	1072951	0121602	1072949
14" Deep Left	1110822 See Note(s) A	1110820 See Note(s) A	1072944	1072952	0121502	1072950
15" and Deeper Right	1110821 See Note(s) A	1110819 See Note(s) A	1057411	0121502	0121302	1072789
15" and Deeper Left	1110822 See Note(s) A	1110820 See Note(s) A	1057412	0121602	0121402	1072930

NOTE: A - As of 1/3/02 upholstered waterfall armpads were replaced with black urethane waterfall armpads. Order right and left arm tube with arm pad for chairs serviced before 1/3/02.

Armrest Assembly

Flip Back Arms After 10/14/98 Basic Tilt and Tilt Only



Armrest Assembly

Flip Back Arms After 10/14/98

Basic Tilt and Tilt Only

Item Number	Note	Part Number	Description	Quantity Per	
				Package	Assembly
1	A	1117328	Arm Pad, Full Length, Urethane Waterfall with Screws, Black (13" L x 2-5/8" W)	1	1
1		1110818	Arm Pads, Full Length, Urethane Waterfall with Screws, Black (13" L x 2-5/8" W) (Pair)	2	1
1	A	1117327	Arm Pad, Desk Length, Urethane Waterfall with Screws, Black (9" L x 2-5/8" W)	1	1
1		1110817	Arm Pads, Desk Length, Urethane Waterfall with Screws, Black (9" L x 2-5/8" W) (Pair)	2	1
2		1071253	Arm Top, Adjustable Height with Plug Buttons - Full Length (Black)	1	1
2		1070859	Arm Tube, Upper with Plug Buttons (Black) - Desk Length	1	1
3		1027095	Plug Button, Black (7/8")	1	2
4		1055949	Screws, Phillips Pan Head (#10-32 x 1-1/8")	2	1
4	B	1094270	Screw, Phillips Pan Head (#10-32 x 1-1/4") (Pair)	2	1
5		1064130	Clothing Guard	1	1
6		47471X074	Spring, Arm Lock	1	1
7		1028594	Pin, Arm Lock	1	1
8		1032244	Grip, Foam Hand (9" Long)	1	1
9		1090768	Kit, Lock Handle w/Rivets (both LT & RT side)	2	1
10		1028645	Rivet	1	6
11		1065936	Plug, Pivot	1	2
12		1067734	Plug Button, Black (5/8")	1	2
13		1035065	Cover, Clothing Guard with Pocket - For Fixed Height Desk Length & Adjustable Height Full/Desk Length	1	1
14		1068416	Arm Base, Adjustable Height 16-19" Deep - Right (Black)	1	1
14		1068417	Arm Base, Adjustable Height 16-19" Deep - Left (Black)	1	1
14		1068418	Arm Base, Adjustable Height 20" and Deeper - Right (Black)	1	1
14		1068419	Arm Base, Adjustable Height 20" and Deeper - Left (Black)	1	1
14		1067761	Arm Base, 1" Lower, Adjustable Height 16-19" Deep - Right (Black)	1	1
14		1067762	Arm Base, 1" Lower, Adjustable Height 16-19" Deep - Left (Black)	1	1
14		1067755	Arm Base, 1" Lower, Adjustable Height 20" and Deeper - Right (Black)	1	1
14		1067756	Arm Base, 1" Lower, Adjustable Height 20" and Deeper - Left (Black)	1	1
15		1078053	Weldment, Flip Back Arm Receptacle - Right	1	1

Armrest Assembly

Flip Back Arms After 10/14/98

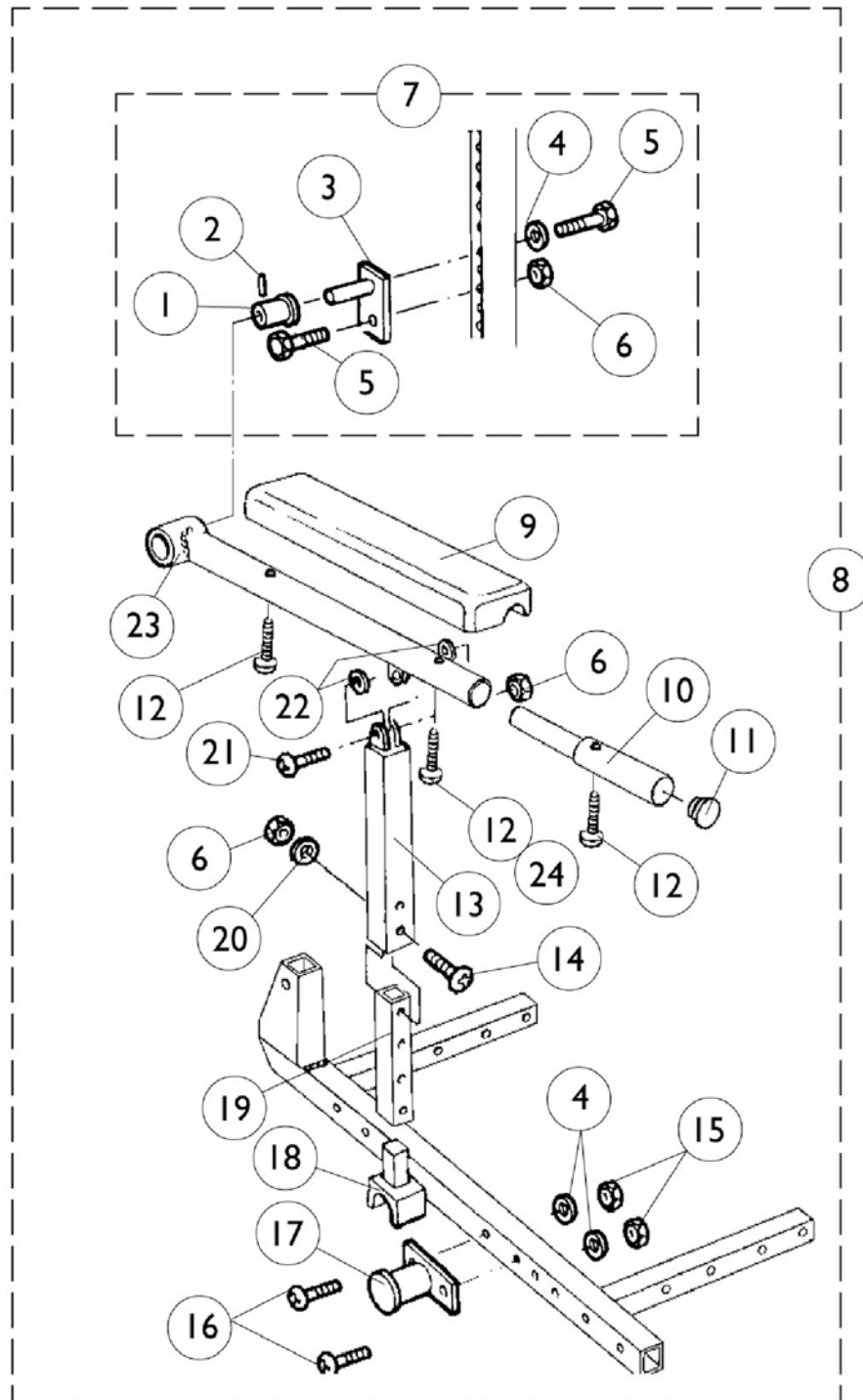
Basic Tilt and Tilt Only

Item Number	Note	Part Number	Description	Quantity Per	
				Package	Assembly
15		1078052	Weldment, Flip Back Arm Receptacle - Left	1	1
16		1024793	Screw, Hex Head (1/4-20 x 1-3/4")	1	3
17		0050406	Washer, Flat (1/4 x 5/8 x 1/16")	1	6
18		7930333	Locknut (1/4-20)	25	3
19		0050506	Lockwasher, High Collar, Split (1/4")	1	2
20		1030949	Screw, Hex Head (1/4-20 x 1-1/2")	1	1
21		1068025	Clevis, Pivot	1	1
22		7930323	Package, Locknut (1/4-20)	25	1
23		1068039	Pin, Pull	1	1
24	C	1081427	Hardware, Armrest Mounting - Right	1	1
24	C	1081428	Hardware, Armrest Mounting - Left	1	1

NOTE: A - As of 1/3/02 upholstered waterfall armpads were replaced with black urethane waterfall armpads. Order in pairs with screws for chairs serviced before 1/3/02.
 B - For Black Urethane Waterfall Arm Pads only
 C - Includes items 6, 7, 9 and 15-23

Armrest Assembly

Basic Recline 4XP or Tilt/Recline and Recline Only



Armrest Assembly

Basic Recline 4XP or Tilt/Recline and Recline Only

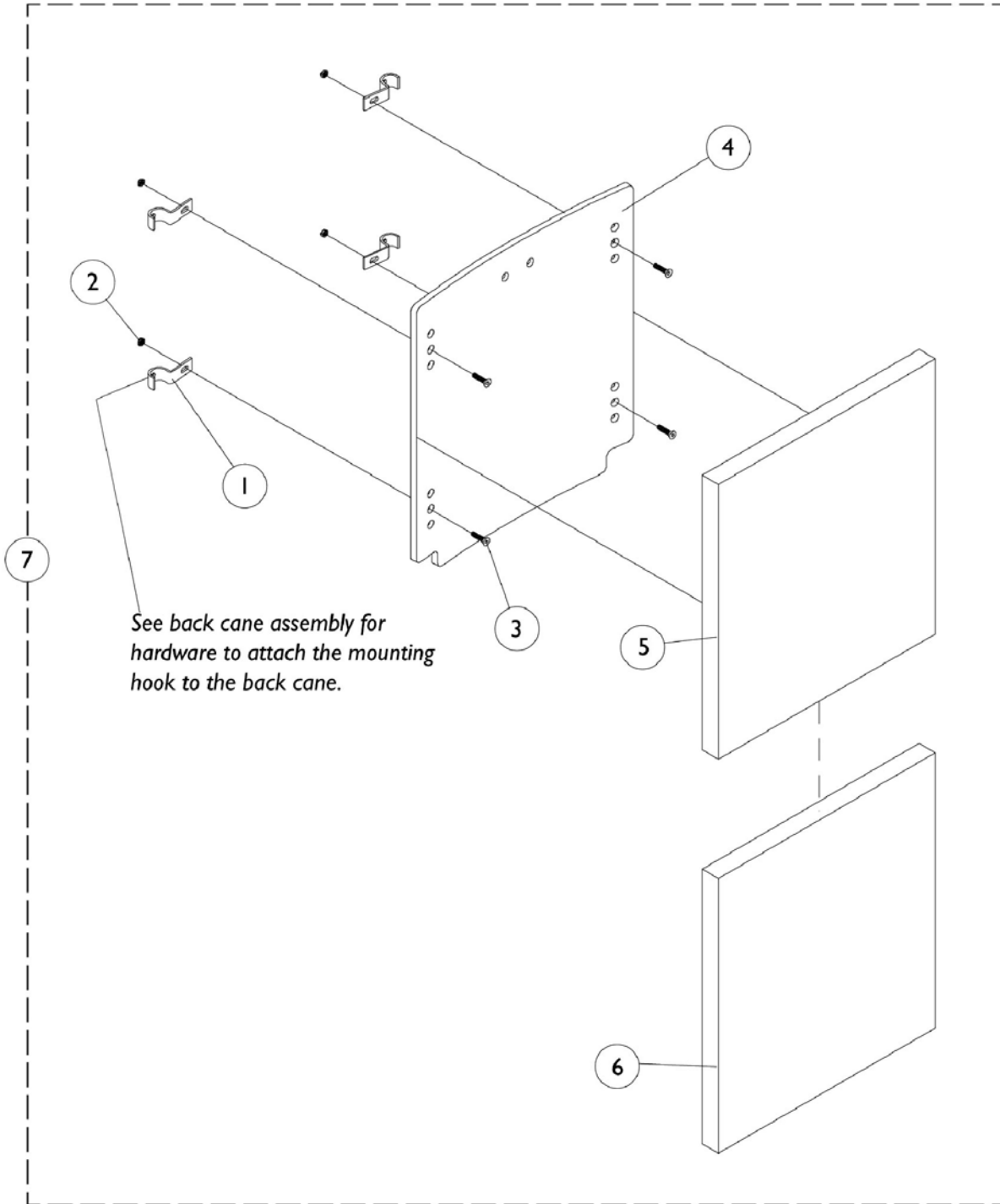
Item Number	Note	Part Number	Description	Quantity Per	
				Package	Assembly
1		0028101-NLA	Bushing, Arm	1	1
2		0061500-NLA	Pin Roll (3/16 x 5/8")	1	1
3		0028502-NLA	Mounting Plate and Pin	1	1
4		0050406	Washer, Flat (1/4 x 5/8 x 1/16")	1	1
5		0053006-NLA	Screw, Hex Head (1/4-20 x 3/4")	1	2
6		7930333	Locknut (1/4-20)	25	3
7		0313800	Pivot Hardware	1	1
8		1072819	Arm Assembly, w/ Pad and Pivot Hardware Full Length - Right	1	1
8		1072820	Arm Assembly, w/ Pad and Pivot Hardware Full Length - Left	1	1
8		1072817	Arm Assembly, w/ Pad and Pivot Hardware Desk Length - Right	1	1
8		1072818	Arm Assembly, w/ Pad and Pivot Hardware Desk Length - Left	1	1
9		0002600	Armpad, Full Length (14" L x 3"W)	1	1
9		0002500	Armpad, Desk Length (10" L x 3" W)	1	1
10		0028202	Extension Tube, Full Length	1	1
11		1027095	Plug Button, Black (7/8")	1	1
12		0066306-NLA	Screw, Phillips Pan Head (#10-32 x 1-1/2")	1	1
13		0028902-NLA	Tube, Upper Support	1	1
14		0051206	Screw, Socket Head (1/4-20 x 1-1/4)	1	1
15		7930323	Package, Locknut (1/4-20)	25	2
16		0051406-NLA	Screw, Socket Head (1/4 x 1-3/4")	1	2
17		0028402-NLA	Support Weldment	1	1
18		0064100	Glide Block	1	1
19		0028302-NLA	Tube, Lower Support	1	1
20		0050506	Lockwasher, High Collar, Split (1/4")	1	1
21		0051606	Screw, Socket Head Cap (1/4-20 x 1")	1	1
22		0050100	Washer, Nylon Flat (1/4 x 1/2 x 1/16")	1	2
23		0028802-NLA	Armrest Tube, Right	1	1
23		0028702-NLA	Armrest Tube, Left	1	1
24	A	0065706	Screw, Phillips Self-Tapping (#10-32 x 3/4")	1	1

NOTE: A - Item number 24 is used with full length armpads only. Desk length armpads use item number 12 in this position.

A.B.S. Curved Back Assembly

Basic Tilt and Tilt Only

NOTE: Hook Fastener Adhesive Kit must be ordered when a Back Pan or Back Assembly is requested. This will allow the Loop Fastener Adhesive on the Back Cover to attach properly.



A.B.S. Curved Back Assembly

Basic Tilt and Tilt Only

**NOTE: Hook Fastener Adhesive Kit must be ordered when a Back Pan or Back Assembly is requested.
This will allow the Loop Fastener Adhesive on the Back Cover to attach properly.**

Item Number	Note	Part Number	Description	Quantity Per	
				Package	Assembly
1		0124202	Hook, Back Assembly Mounting	1	4
2		7930333	Locknut (1/4-20)	25	4
3		1029545	Screw, Socket Head Cap (1/4-20 x 3/4")	1	4
4-7		See Chart	#s 4-7 A.B.S. Curved Back Assembly	1	1
	A,E	1125723	Kit, Hook Fastener w/ Adhesive Back	1	1
	A,B	0143900	Flap, Back Pan Tarsys	1	1
	A,C	0144000	Flap, Back Pan Tarsys	1	1
	A,D	0144100	Flap, Back Pan Tarsys	1	1

NOTE: A - Not Shown
 B - 16"-17" Wide
 C - 18"-19" Wide
 D - 20"-24" Wide
 E - Hook Fastener Adhesive Kit is used to attach the Back Cover to the Back Pan and must be ordered when a new Back Pan or Back Assembly is requested.

Material Back Width x Height	Overall Back Height	Item #4 1" Back Pan	Item #5 Back Foam	Item #6 Back Assembly Cover	Item #7 w/ Fixed Hardware
14" x 16"	18"-19"H	0048819	1073070	0010821	1073098
15" x 16"	18"-19"H	0048919	1073077	0011021	1073099
16" x 16"	18"-19" H	0049019	0009720	0011221	1072790
17" x 16"	18"-19"H	0049119	0009920	0011421	1072791
18" x 16"	18"-19"H	0049219	0010120	0011621	1072792
19" x 16"	18"-19"H	0049319	0010320	0011821	1072793
20" x 16"	18"-19"H	0049419	0009820	0012021	1072794
21" x 16"	18"-19"H	0049519	1073078	0304021	1073100
22" x 16"	18"-19"H	0049619	1073079	0164421	1073101
23" x 16"	18"-19"H	Special	Special	Special	Special
24" x 16"	18"-19"H	Special	Special	Special	Special
14" x 18"	20"-22"H	1073064	1073071	1073093	1073102
15" x 18"	20"-22"H	1073065	1073081	1077077	1073103
16" x 18"	20"-22"H	0118819	0010120	0124321	1072795
17" x 18"	20"-22"H	0118919	0126720	0124421	1072796
18" x 18"	20"-22"H	0119019	0126820	0124521	1072797
19" x 18"	20"-22"H	0119119	0126920	8881024621	1072798
20" x 18"	20"-22"H	0119219	0010220	0124721	1072799
21" x 18"	20"-22"H	0119319	1073083	0304121	1073104
22" x 18"	20"-22"H	0119419	1073084	0304321	1073105
23" x 18"	20"-22"H	Special	Special	Special	Special
24" x 18"	20"-22"H	Special	Special	Special	Special

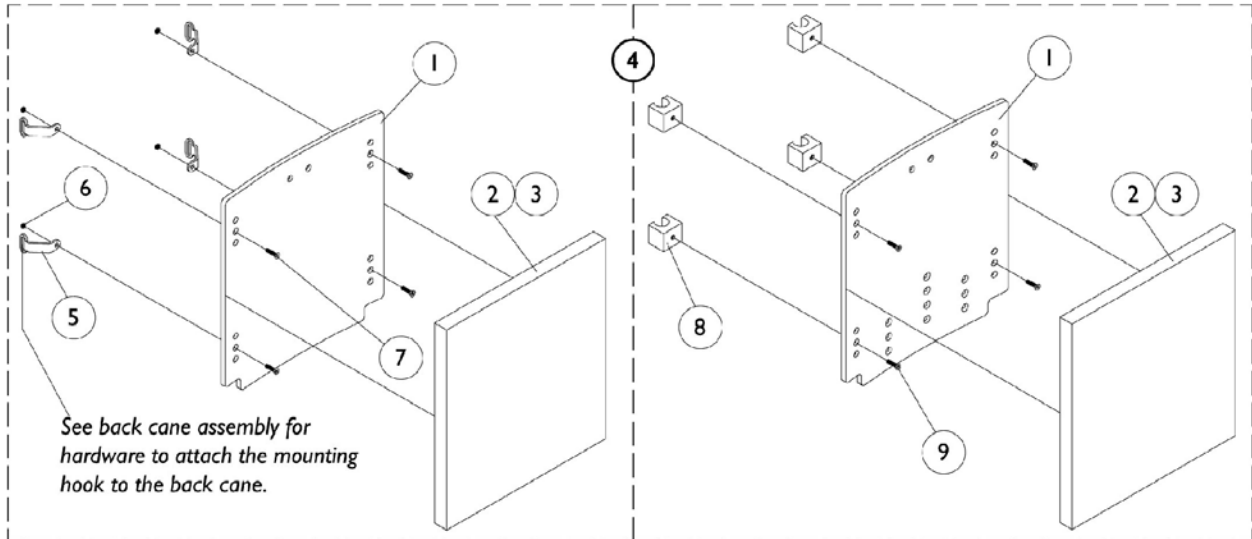
A.B.S. Curved Back Assembly Basic Tilt and Tilt Only

**NOTE: Hook Fastener Adhesive Kit must be ordered when a Back Pan or Back Assembly is requested.
This will allow the Loop Fastener Adhesive on the Back Cover to attach properly.**

Material Back Width x Height	Overall Back Height	Item #4 1" Back Pan	Item #5 Back Foam	Item #6 Back Assembly Cover	Item #7 w/ Fixed Hardware
14" x 20"	23"-25"H	1073066	1073073	0010921	1073106
15" x 20"	23"-25"H	1073067	1073086	0011121	1073107
16" x 20"	23"-25"H	0125319	0009820	0011321	1072800
17" x 20"	23"-25"H	0125419	0010020	0011521	1072801
18" x 20"	23"-25"H	0125519	0010020	0011721	1072802
19" x 20"	23"-25"H	0125619	0010420	0011921	1072803
20" x 20"	23"-25"H	0125719	0010620	0012121	1072804
21" x 20"	23"-25"H	0125819	1073087	0304221	1073108
22" x 20"	23"-25"H	0125919	1073088	0158721	1073109
23" x 20"	23"-25"H	Special	Special	Special	Special
24" x 20"	23"-25"H	Special	Special	Special	Special

A.B.S. Curved Back Assembly Basic Recline (4XP)

**NOTE: Hook Fastener Adhesive Kit must be ordered when a Back Pan or Back Assembly is requested.
This will allow the Loop Fastener Adhesive on the Back Cover to attach properly.**



Material Back Width x Height	Overall Back Height	Item #1 Back Pan	Item #2 1" Back Foam	Item #3 Back Cover	Item #4 Back Asbly w/Fixed Hdwr
16" x 20"	24" Fixed	0125319	0009820	0011321	1072873
18" x 20"	24" Fixed	0125519	0010220	0011721	1072875

A.B.S. Curved Back Assembly Basic Recline (4XP)

**NOTE: Hook Fastener Adhesive Kit must be ordered when a Back Pan or Back Assembly is requested.
This will allow the Loop Fastener Adhesive on the Back Cover to attach properly.**

Basic Recline (4XP)-MSR

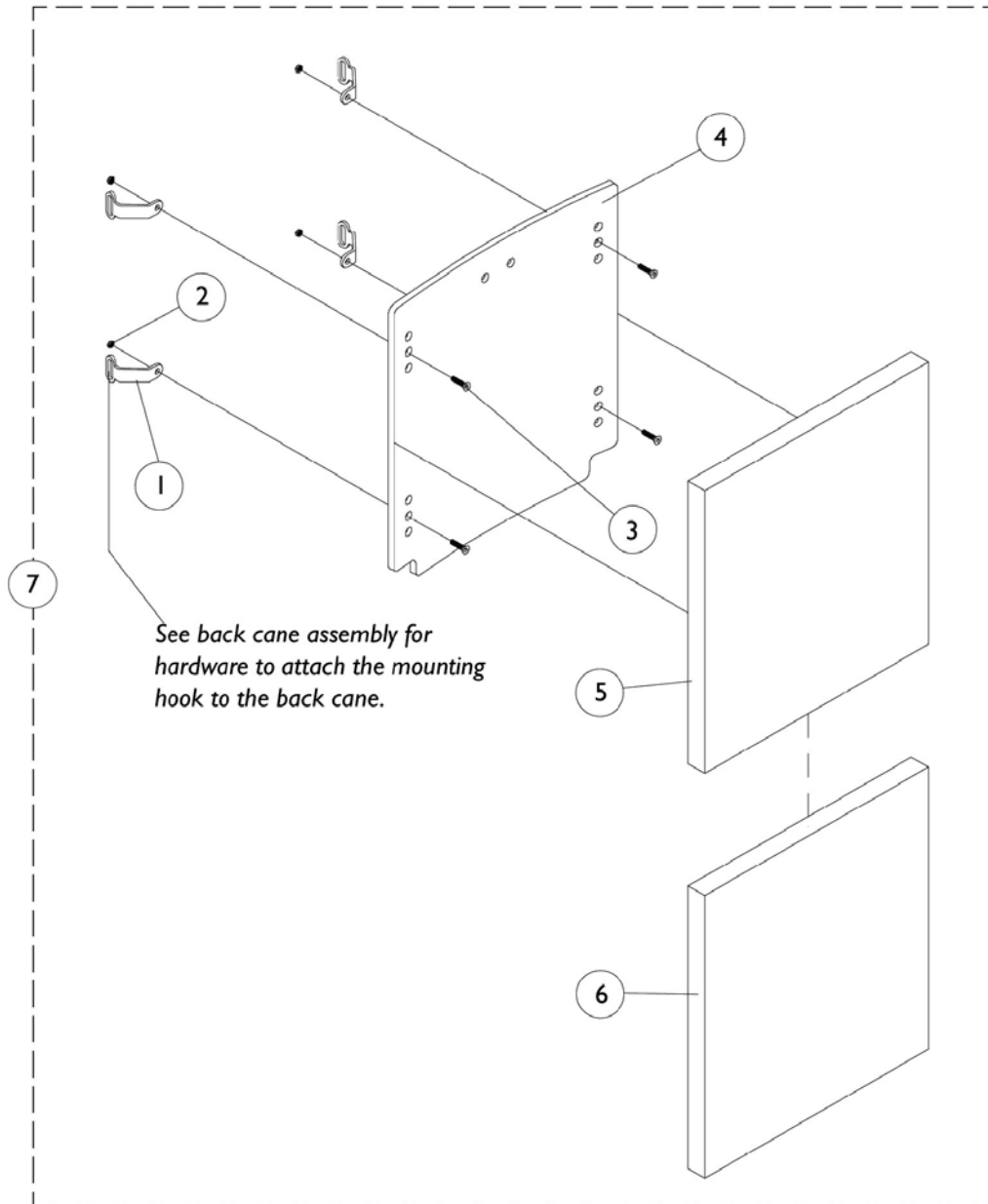
Material Back Width x Height	Overall Back Height	Item #1 Back Pan	Item #2 1" Back Foam	Item #3 Back Cover	Item #4 Back Asbly w/Sliding Hdwr
16" x 14"	21"-22"H	0129019	1073070	0124821	1077097
18" x 14"	21"-22"H	0129219	1073071	0125021	1077099
16" x 16"	23"-25"H	0049019	0009720	0011221	1072878
18" x 16"	23"-25"H	0049219	0010120	0011621	1072880

Item Number	Note	Part Number	Description	Quantity Per	
				Package	Assembly
1-4		See Chart	#s 1-4 Basic Recline (4XP)	1	1
1-4		See Chart	#s 1-4 Basic Recline (4XP)-MSR	1	1
5		0029002	Mounting Bracket, Non-Sliding Back Pan	1	4
6		7930323	Package, Locknut (1/4-20)	25	4
7		1029545	Screw, Socket Head Cap (1/4-20 x 3/4")	1	4
8		0047800	Block, Glide	1	4
9		0052906	Screw, Socket Button Head (1/4-20 x 3/4")	1	4
	A,D	1125723	Kit, Hook Fastener w/ Adhesive Back	1	1
	A,B	0230200	Flap, Back Pan Tarsys	1	1
	A,C	0230300	Flap, Back Pan Tarsys	1	1
NOTE: A - Not Shown B - 16" Wide C - 18" Wide D - Hook Fastener Adhesive Kit is used to attach the Back Cover to the Back Pan and must be ordered when a new Back Pan or Back Assembly is requested.					

A.B.S. Curved Back Assembly

Recline, Fixed Back (Non-VSR) Tilt/Recline and Recline Only

NOTE: Hook Fastener Adhesive Kit must be ordered when a Back Pan or Back Assembly is requested. This will allow the Loop Fastener Adhesive on the Back Cover to attach properly.



A.B.S. Curved Back Assembly

Recline, Fixed Back (Non-VSR) Tilt/Recline and Recline Only

NOTE: Hook Fastener Adhesive Kit must be ordered when a Back Pan or Back Assembly is requested. This will allow the Loop Fastener Adhesive on the Back Cover to attach properly.

Item Number	Note	Part Number	Description	Quantity Per	
				Package	Assembly
1		0029002	Mounting Bracket, Non-Sliding Back Pan	1	4
2		7930323	Package, Locknut (1/4-20)	25	4
3		1029545	Screw, Socket Head Cap (1/4-20 x 3/4")	1	4
4-7		See Chart	#s 4-7 A.B.S. Curved Back Assembly	1	1
	A,E	1125723	Kit, Hook Fastener w/ Adhesive Back	1	1
	A,B	0143900	Flap, Back Pan Tarsys	1	1
	A,C	0144000	Flap, Back Pan Tarsys	1	1
	A,D	0144100	Flap, Back Pan Tarsys	1	1

NOTE: A - Not Shown.
 B - 16"-17" Wide
 C - 18"-19" Wide
 D - 20"-24" Wide
 E - Hook Fastener Adhesive Kit is used to attach the Back Cover to the Back Pan and must be ordered when a new Back Pan or Back Assembly is requested.

Material Back Width x Height	Overall Back Height	Item #4 1" Back Pan	Item #5 Back Foam	Item #6 Back Assembly Cover	Item #7 w/Fixed Hardware
14" x 18"	20"-22"H	1073064	1073071	1073093	1077087
15" x 18"	20"-22"H	1073065	1073081	1077077	1077088-NLA
16" x 18"	20"-22"H	0118819	0010120	0124321	1072868-NLA
17" x 18"	20"-22"H	0118919	0126720	0124421	1072869
18" x 18"	20"-22"H	0119019	0126820	0124521	1072870
19" x 18"	20"-22"H	0119119	0126920	0124621	1072871-NLA
20" x 18"	20"-22"H	0119219	0010220	0124721	1072872-NLA
21" x 18"	20"-22"H	0119319	1073083	0304121	1077089-NLA
22" x 18"	20"-22"H	0119419	1073084	0304321	1077090
23" x 18"	20"-22"H	Special	Special	Special	Special
24" x 18"	20"-22"H	Special	Special	Special	Special
14" x 20"	23"-25"H	1073066	1073073	0010921	1077091-NLA
15" x 20"	23"-25"H	1073067	1073086	0011121	1077092
16" x 20"	23"-25"H	0125319	0009820	0011321	1072873
17" x 20"	23"-25"H	0125419	0010020	0011521	1072874-NLA
18" x 20"	23"-25"H	0125519	0010220	0011721	1072875

A.B.S. Curved Back Assembly

Recline, Fixed Back (Non-VSR) Tilt/Recline and Recline Only

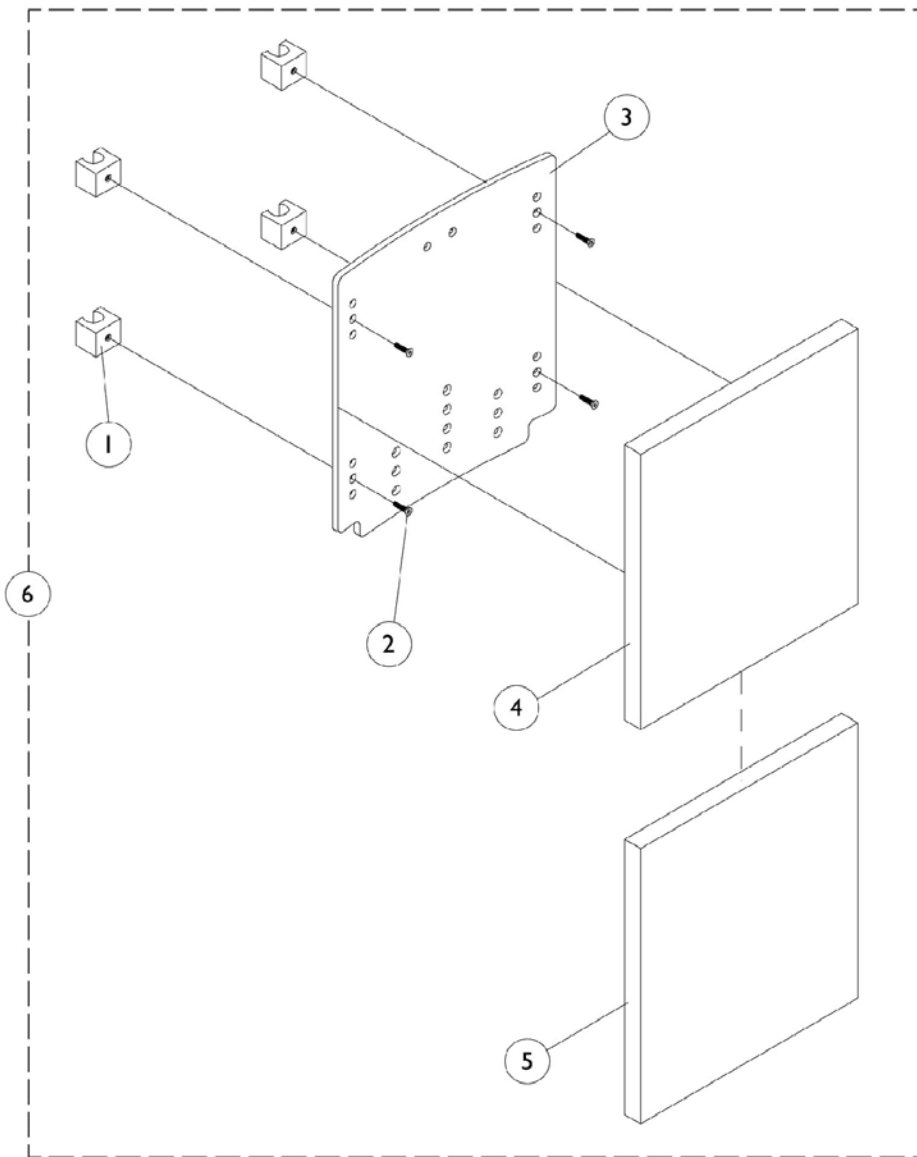
**NOTE: Hook Fastener Adhesive Kit must be ordered when a Back Pan or Back Assembly is requested.
This will allow the Loop Fastener Adhesive on the Back Cover to attach properly.**

Material Back Width x Height	Overall Back Height	Item #4 1" Back Pan	Item #5 Back Foam	Item #6 Back Assembly Cover	Item #7 w/Fixed Hardware
19" x 20"	23"-25"H	0125619	0010420	0011921	1072876
20" x 20"	23"-25"H	0125719	0010620	0012121	1072877
21" x 20"	23"-25"H	0125819	1073087	0304221	1077093
22" x 20"	23"-25"H	0125919	1073088	0158721	1077094
23" x 20"	23"-25"H	Special	Special	Special	Special
24" x 20"	23"-25"H	Special	Special	Special	Special

A.B.S. Curved Back Assembly

Recline, Sliding Back (VSR) Tilt/Recline and Recline Only

**NOTE: Hook Fastener Adhesive Kit must be ordered when a Back Pan or Back Assembly is requested.
This will allow the Loop Fastener Adhesive on the Back Cover to attach properly.**



A.B.S. Curved Back Assembly

Recline, Sliding Back (VSR)

Tilt/Recline and Recline Only

**NOTE: Hook Fastener Adhesive Kit must be ordered when a Back Pan or Back Assembly is requested.
This will allow the Loop Fastener Adhesive on the Back Cover to attach properly.**

Item Number	Note	Part Number	Description	Quantity Per	
				Package	Assembly
1		0047800	Block, Glide	1	4
2		0052906	Screw, Socket Button Head (1/4-20 x 3/4")	1	4
3-6		See Chart	#'s 3-6 A.B.S. Curved Back Assembly	1	1
	A,E	1125723	Kit, Hook Fastener w/ Adhesive Back	1	1
	A,B	0143900	Flap, Back Pan Tarsys	1	1
	A,C	0144000	Flap, Back Pan Tarsys	1	1
	A,D	0144100	Flap, Back Pan Tarsys	1	1

NOTE: A - Not Shown
 B - 16"-17" Wide
 C - 18"-19" Wide
 D - 20"-24" Wide
 E - Hook Fastener Adhesive Kit is used to attach the Back Cover to the Back Pan and must be ordered when a new Back Pan or Back Assembly is requested.

Material Back Width x Height	Overall Back Height	Item #3 Back Pan	Item #4 1" Back Foam	Item #5 Back Cover	Item #6 Back Asbly w/Sliding Hdwr
14" X 14"	21"-22"H	0128819	1073068	1073089	1077095
15" x 14"	21"-22"H	0128919	1073069	1073090	1077096-NLA
16" x 14"	21"-22"H	0129019	1073070	0124821	1077097
17" x 14"	21"-22"H	0129119	0310820	0124921	1077098
18" x 14"	21"-22"H	0129219	1073071	0125021	1077099
19" x 14"	21"-22"H	0129319	1073072-NLA	0125121	1077100-NLA
20" x 14"	21"-22"H	0129419	1073073	0125221	1077101
21" x 14"	21"-22"H	0129519	1073074	1073091	1077102
22" x 14"	21"-22"H	0129619	1073075	1073092	1077103
23" x 14"	21"-22"H	Special	Special	Special	Special
24" x 14"	21"-22"H	Special	Special	Special	Special
14" x 16"	23"-25"H	0048819	1073070	0010821	1077104-NLA
15" x 16"	23"-25"H	0048919	1073077	0011021	1077105-NLA

A.B.S. Curved Back Assembly

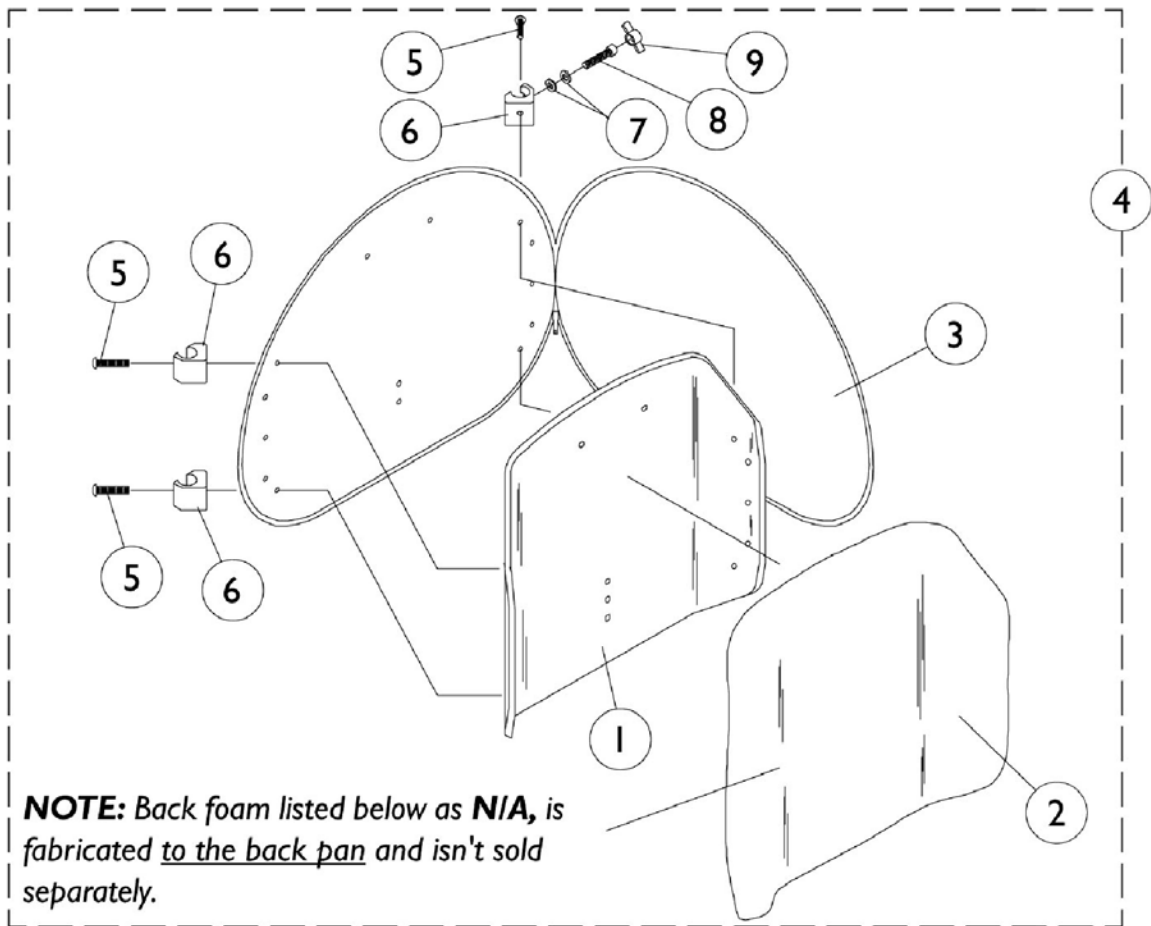
Recline, Sliding Back (VSR) Tilt/Recline and Recline Only

**NOTE: Hook Fastener Adhesive Kit must be ordered when a Back Pan or Back Assembly is requested.
This will allow the Loop Fastener Adhesive on the Back Cover to attach properly.**

Material Back Width x Height	Overall Back Height	Item #3 Back Pan	Item #4 1" Back Foam	Item #5 Back Cover	Item #6 Back Asbly w/Sliding Hdwr
16" x 16"	23"-25"H	0049019	0009720	0011221	1072878
17" x 16"	23"-25"H	0049119	0009920	0011421	1072879
18" x 16"	23"-25"H	0049219	0010120	0011621	1072880
19" x 16"	23"-25"H	0049319	0010320	0011821	1072881
20" x 16"	23"-25"H	0049419	0009820	0012021	1072882
21" x 16"	23"-25"H	0049519	1073078	0304021	1077106
22" x 16"	23"-25"H	0049619	1073079	0164421	1077107
23" x 16"	23"-25"H	Special	Special	Special	Special
24" x 16"	23"-25"H	Special	Special	Special	Special

Profile Back Assembly (Fixed)

Basic Tilt and Tilt Only



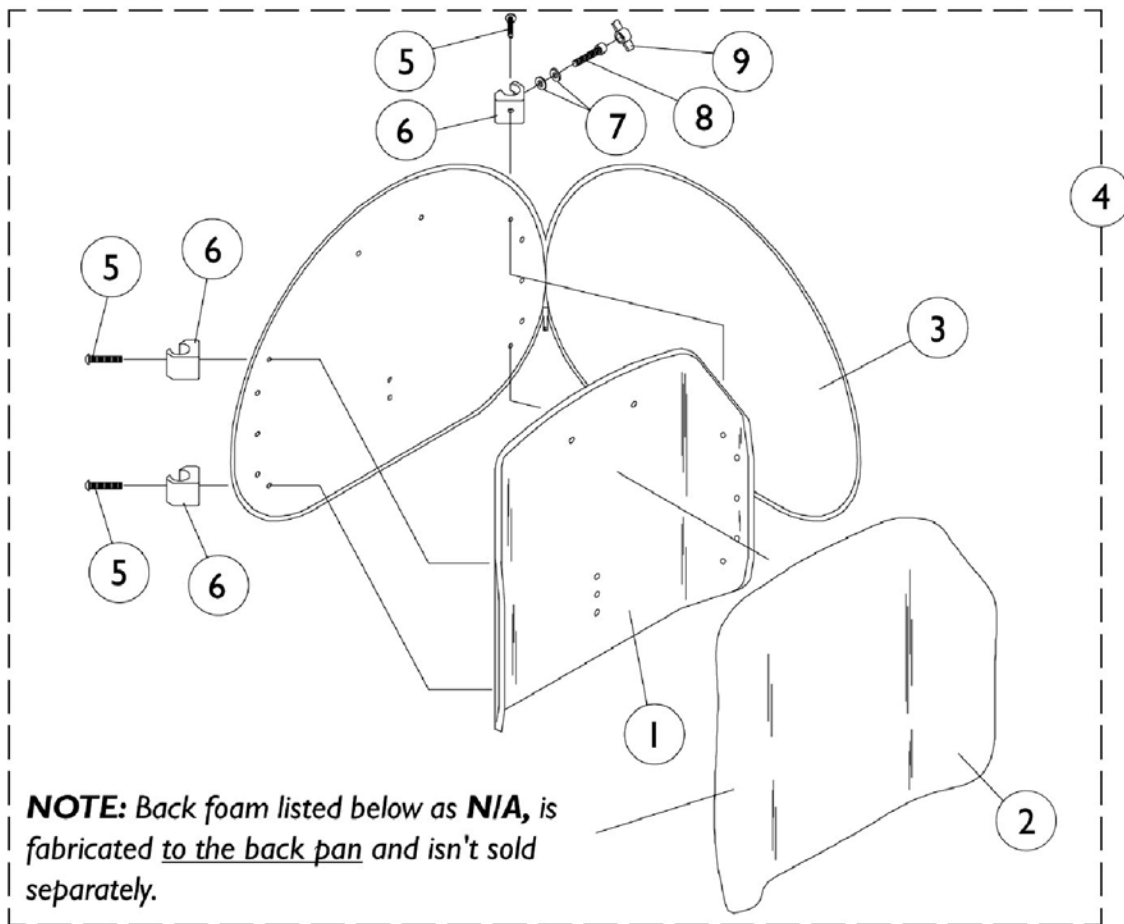
Profile Back Assembly (Fixed) Basic Tilt and Tilt Only

Material Back Width x Height	Overall Back Height	Item #1 Back Pan	Item #2 Back Foam	Item #3 Back Cover	Item #4 Back Asbly w/Fixed Hdwr
16" x 16"	20"-21"H	0133019	0259220-NLA	0276800-NLA	1072912-NLA
17" x 16"	20"-21"H	0133019	0259220-NLA	0276800-NLA	1072913-NLA
18" x 16"	20"-21"H	0133119	0259120	0276900-NLA	1072914-NLA
19" x 16"	20"-21"H	0133119	0259120	0276900-NLA	1072915-NLA
20" x 16"	20"-21"H	0133219	N/A	0277000	1072916-NLA
16" x 18"	22"-24"H	0133319	N/A	0277100	1072917-NLA
17" x 18"	22"-24"H	0133319	N/A	0277100	1072918-NLA
18" x 18"	22"-24"H	0133419	0259020	0277200	1072919-NLA
19" x 18"	22"-24"H	0133419	0259020	0277200	1072920-NLA
20" x 18"	22"-24"H	0133519	N/A	0277300	1072921-NLA

Profile Back Assembly (Fixed) Basic Tilt and Tilt Only

Item Number	Note	Part Number	Description	Quantity Per	
				Package	Assembly
1-4		See Chart	#'s 1-4 Profile Back Assembly (Fixed)	1	1
5	B	0052906	Screw, Socket Button Head (1/4-20 x 3/4")	1	4
5	C	0051206	Screw, Socket Head (1/4-20 x 1-1/4)	1	4
6		0190500-NLA	Block, Glide (16", 18" and 20" Wide)	1	4
6		0190600	Block, Glide (17" and 19" Wide)	1	4
7		0050100	Washer, Nylon Flat (1/4 x 1/2 x 1/16")	1	4
8		7930304	Screw, Socket Head (1/4-20 x 1-1/4")	25	2
9		0226500-NLA	Knob, Tee	1	2
	A,D	0143900	Flap, Back Pan Tarsys	1	1
	A,E	0144000	Flap, Back Pan Tarsys	1	1
	A,F	0144100	Flap, Back Pan Tarsys	1	1
NOTE: A - Not Shown B - 16"/18"/20" Wide C - 17"/19" Wide D - 16"-17" Wide E - 18"-19" Wide F - 20" Wide					

Profile Back Assembly (Fixed, Non-VSR) Tilt/Recline and Recline Only



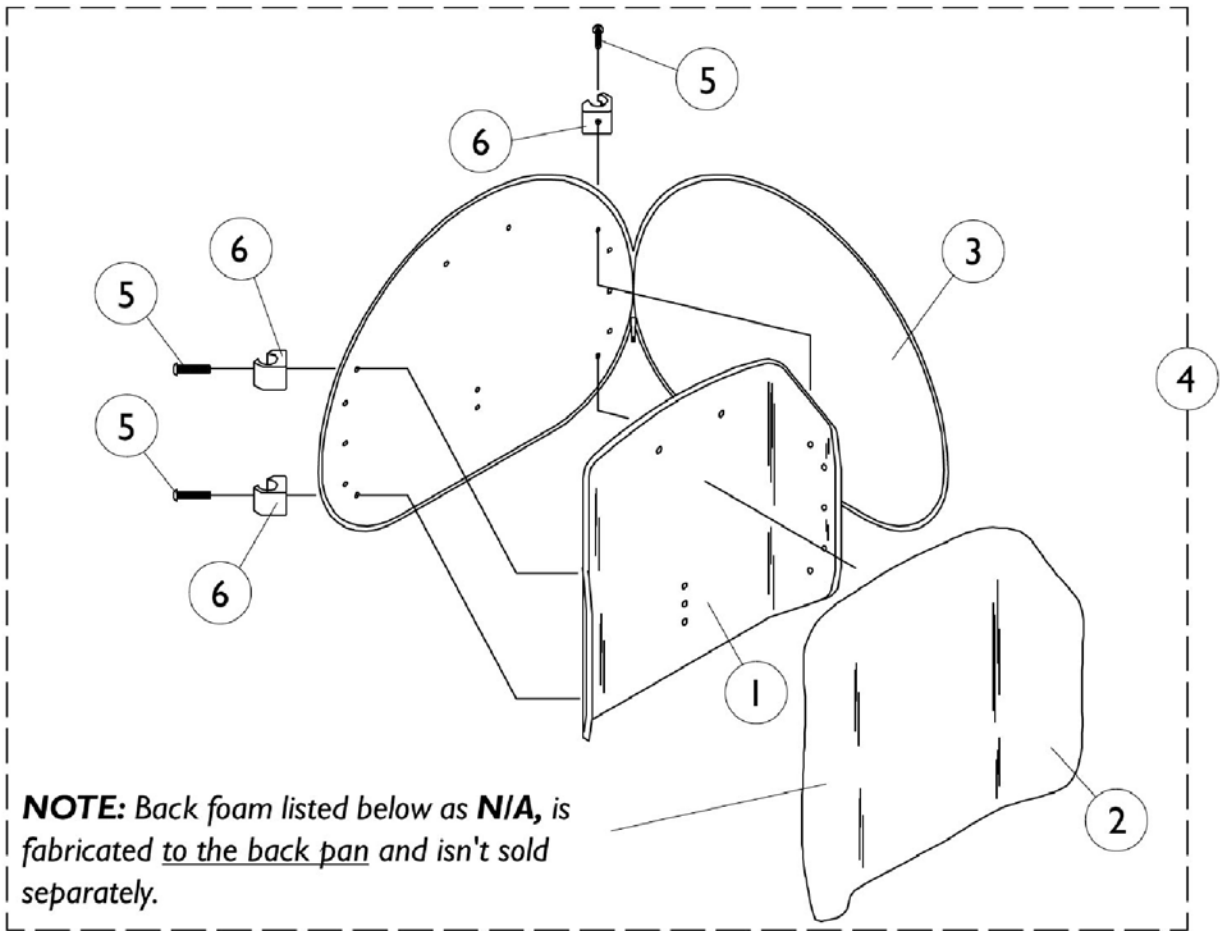
Profile Back Assembly (Fixed, Non-VSR) Tilt/Recline and Recline Only

Material Back Width x Height	Overall Back Height	Item #1 Back Pan	Item #2 Back Foam	Item #3 Back Cover	Item #4 Back Assembly w/Fixed Hdwr
16" x 16"	21"H	0133019	0259220-NLA	0276800-NLA	1072912-NLA
17" x 16"	21"H	0133019	0259220-NLA	0276800-NLA	1072913-NLA
18" x 16"	21"H	0133119	0259120	0276900-NLA	1072914-NLA
19" x 16"	21"H	0133119	0259120	0276900-NLA	1072915-NLA
20" x 16"	21"H	0133219	N/A	0277000	1072916-NLA
16" x 18"	22"-25"H	0133319	N/A	0277100	1072917-NLA
17" x 18"	22"-25"H	0133319	N/A	0277100	1072918-NLA
18" x 18"	22"-25"H	0133419	0259020	0277200	1072919-NLA
19" x 18"	22"-25"H	0133419	0259020	0277200	1072920-NLA
20" x 18"	22"-25"H	0133519	N/A	0277300	1072921-NLA

Profile Back Assembly (Fixed, Non-VSR) Tilt/Recline and Recline Only

Item Number	Note	Part Number	Description	Quantity Per	
				Package	Assembly
1-4		See Chart	#'s 1-4 Profile Back Assembly (Fixed, Non-VSR)	1	1
5	B	0052906	Screw, Socket Button Head (1/4-20 x 3/4")	1	4
5	C	0051206	Screw, Socket Head (1/4-20 x 1-1/4)	1	4
6		0190500-NLA	Block, Glide (16", 18" and 20" Wide)	1	4
6		0190600	Block, Glide (17" and 19" Wide)	1	4
7		0050100	Washer, Nylon Flat (1/4 x 1/2 x 1/16")	1	4
8		7930304	Screw, Socket Head (1/4-20 x 1-1/4")	25	2
9		0226500-NLA	Knob, Tee	1	2
	A,D	0143900	Flap, Back Pan Tarsys	1	1
	A,E	0144000	Flap, Back Pan Tarsys	1	1
	A,F	0144100	Flap, Back Pan Tarsys	1	1
NOTE: A - Not Shown B - 16"/18"/20" Wide C - 17"/19" Wide D - 16"-17" Wide E - 18"-19" Wide F - 20" Wide					

Profile Back Assembly (Sliding, VSR) Tilt/Recline and Recline Only



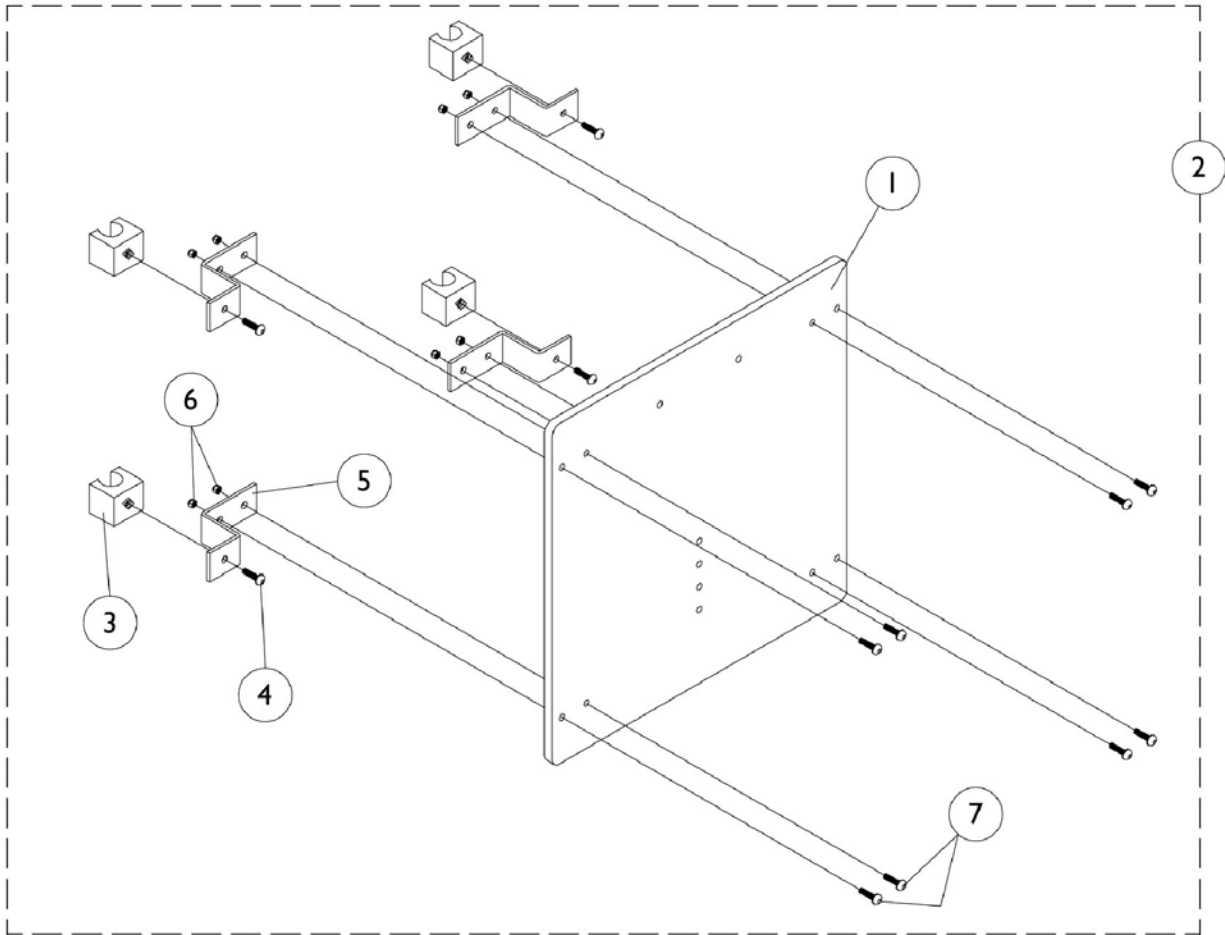
Profile Back Assembly (Sliding, VSR) Tilt/Recline and Recline Only

Material Back Width x Height	Overall Back Height	Item #1 Back Pan	Item #2 Back Foam	Item #3 Back Cover	Item #4 Back Assembly w/Sliding Hdwr
16" x 16"	23" x 24"H	0133019	0259220-NLA	0276800-NLA	0323200-NLA
17" x 16"	23" x 24"H	0133019	0259220-NLA	0276800-NLA	1072908-NLA
18" x 16"	23" x 24"H	0133119	0259120	0276900-NLA	0323300-NLA
19" x 16"	23" x 24"H	0133119	0259120	0276900-NLA	1072909-NLA
20" x 16"	23" x 24"H	0133219	N/A	0277000	0323400-NLA
16" x 18"	25"	0133319	N/A	0277100	0323500-NLA
17" x 18"	25"	0133319	N/A	0277100	1072910-NLA
18" x 18"	25"	0133419	0259020	0277200	0323600-NLA
19" x 18"	25"	0133419	0259020	0277200	1072911-NLA
20" x 18"	25"	0133519	N/A	0277300	0323700-NLA

Profile Back Assembly (Sliding, VSR) Tilt/Recline and Recline Only

Item Number	Note	Part Number	Description	Quantity Per	
				Package	Assembly
1-4		See Chart	#'s 1-4 Profile Back Assembly (Sliding, VSR)	1	1
5	B	0052906	Screw, Socket Button Head (1/4-20 x 3/4")	1	4
5	C	0051206	Screw, Socket Head (1/4-20 x 1-1/4)	1	4
6		0121200	Glide Block, 16"/18"/20" Wide	1	4
6		0186400	Glide Block, 17"/19" Wide	1	4
	A,D	0143900	Flap, Back Pan Tarsys	1	1
	A,E	0144000	Flap, Back Pan Tarsys	1	1
	A,F	0144100	Flap, Back Pan Tarsys	1	1
NOTE: A - Not Shown B - 16"/18"/20" Wide C - 17"/19" Wide D - 16"-17" Wide E - 18"-19" Wide F - 20" Wide					

Recessed Back Assembly (Sliding, VSR) Tilt/Recline and Recline Only



Recessed Back Assembly (Sliding, VSR) Tilt/Recline and Recline Only

Material Back Width x Height	Overall Back Height	Item #1 Back Pan	Item #2 Back Assembly w/ Sliding Hardware
14" x 15"	23"	0048019	0323800
15" x 15"	23"	0048119	0323900
16" x 15"	23"	0048219	0324000-NLA
17" x 15"	23"	0048319	0324100-NLA
18" x 15"	23"	0048419	0324200-NLA
19" x 15"	23"	0048519	0324300-NLA
20" x 15"	23"	0048619	0324400-NLA
21" x 15"	23"	Special	Special
22" x 15"	23"	Special	Special
23" x 15"	23"	Special	Special
24" x 15"	23"	Special	Special

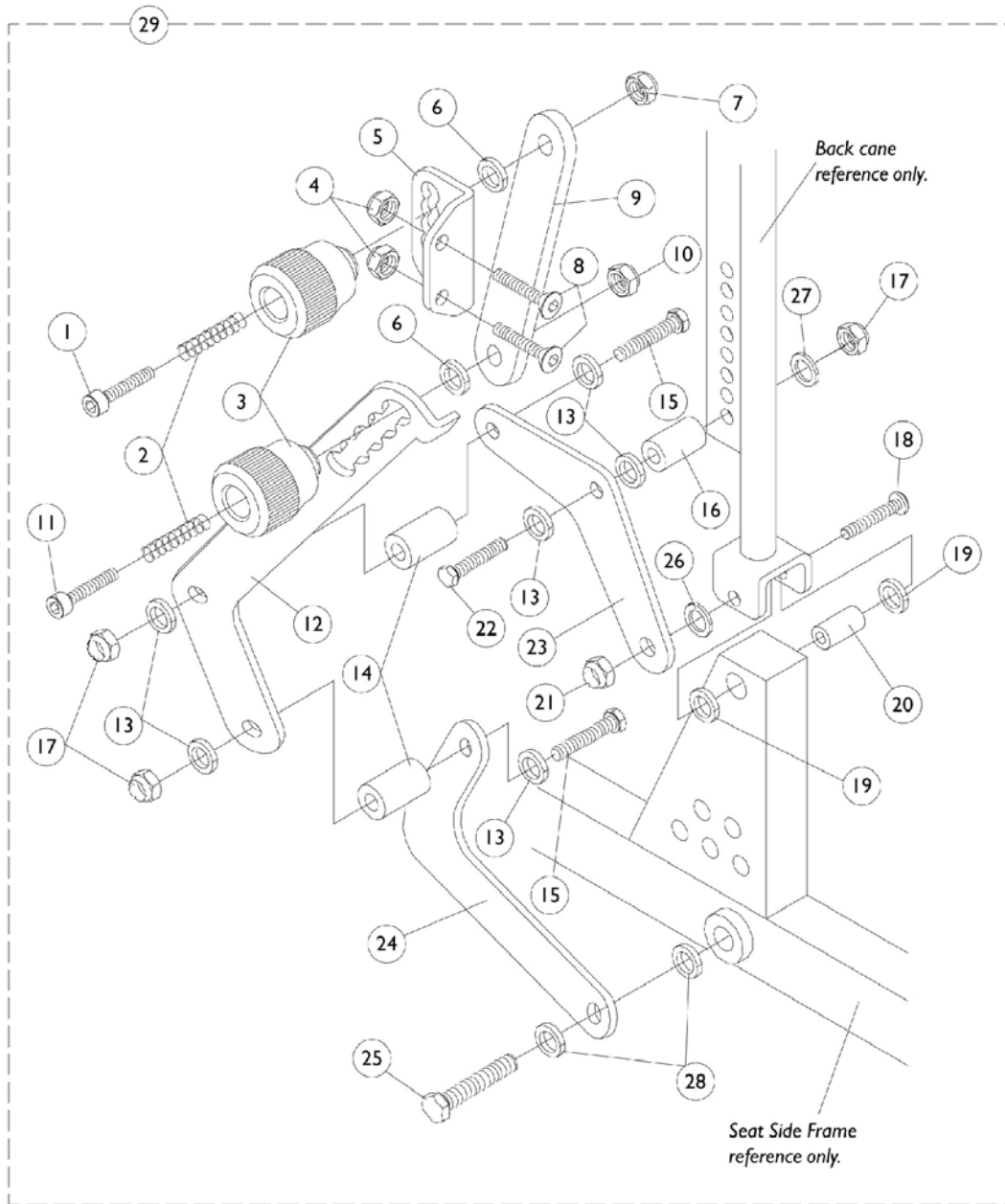
Recessed Back Assembly (Sliding, VSR) Tilt/Recline and Recline Only

Item Number	Note	Part Number	Description	Quantity Per	
				Package	Assembly
1-2		See Chart	#'s 1-2 Recessed Back Assembly (Sliding, VSR)	1	1
3		0047800	Block, Glide	1	4
4		0223506	Screw, Socket Head (1/4-20 x 1/2")	1	4
5		0047902	Hook, Mounting	1	4
6		7930323	Package, Locknut (1/4-20)	25	8
7		0052906	Screw, Socket Button Head (1/4-20 x 3/4")	1	8
	A,B	0143900	Flap, Back Pan Tarsys	1	1
	A,C	0144000	Flap, Back Pan Tarsys	1	1
NOTE: A - Not Shown B - 16"-19" Wide C - 20"-24" Wide					

Mechanical Shear Reduction Linkage

M.S.R.

Basic Recline 4XP



Mechanical Shear Reduction Linkage

M.S.R.

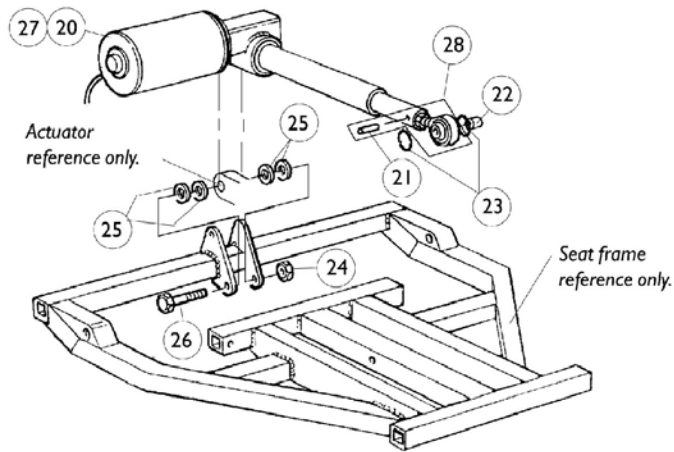
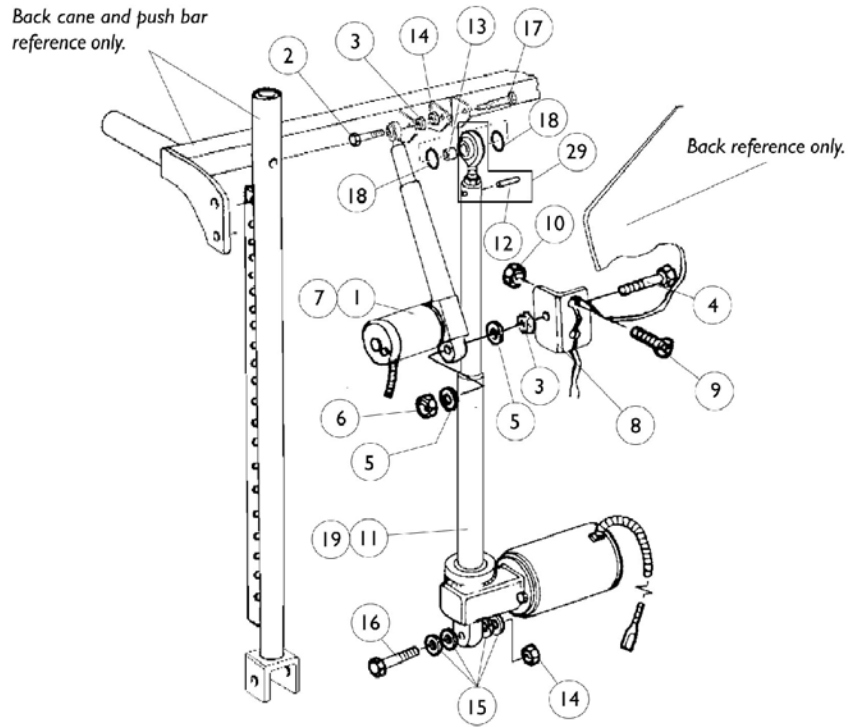
Basic Recline 4XP

Item Number	Note	Part Number	Description	Quantity Per	
				Package	Assembly
1		0258406	Screw, Socket Head (#10-32 x 1-1/4")	1	1
2		0146500	Spring, Compression (1/32 WT x 15/16" L)	1	2
3		0146622	Knob, MSR Adjustment	1	2
4		7930323	Package, Locknut (1/4-20)	25	2
5		0149624	Bracket, MSR Back Pan	1	1
6		0146700	Washer, Nylon (3/16 x 5/8 x 1/16")	1	2
7		7930332	Locknut, High Profile (#10-32)	25	1
8		0195606	Screw, Socket Head (1/4-20 x 3/4")	1	2
9		0148806	Link Upper Adjustment	1	1
10		317601	Locknut, Low Profile (#10-32)	1	1
11		0149506	Screw, Socket Head (#10-32 x 1")	1	1
12		0175524	Link, Lower Adjustment - Right	1	1
12		0175424	Link, Lower Adjustment - Left	1	1
13		0050100	Washer, Nylon Flat (1/4 x 1/2 x 1/16")	1	6
14		0216901	Bushing, Upper/ Lower	1	2
15		0052606	Screw, Hex Head (1/4-20 x 2")	1	2
16		0146422	Spacer, Leg Link	1	1
17		7930333	Locknut (1/4-20)	25	3
18		0055506	Screw, Socket Head (5/16-18 x 2")	1	1
19		0055800	Washer, Nylon (7/16 x 3/4 x 3/32")	1	2
20		0060300	Bushing, Bronze (5/16 x 7/16 x 1-1/4")	1	1
21		0055006	Locknut, Low Profile (5/16-18)	1	1
22		0051006-NLA	Screw, Hex Head Full Thread (1/4-20 x 1-1/2")	1	1
23		0217224	Link, MSR Back Post Lower	1	1
24		0165424	Link, MSR Lower	1	1
25		0139606	Screw, Hex Head (5/16-18 x 1")	1	1
26		0054806	Washer, Flat (5/16")	1	1
27		0050406	Washer, Flat (1/4 x 5/8 x 1/16")	1	1
28		0054700	Washer, Nylon (5/16 x 1/2 x 1/16")	1	2
29		1077512	Mechanical Shear Reduction Linkage Assembly - Right	1	1
29		Mechanical	Mechanical Shear Reduction Linkage Assembly - Left	1	1

Motor Actuators

Tilt, Recline and V.S.R.

Tilt/Recline and Recline Only



Motor Actuators

Tilt, Recline and V.S.R.

Tilt/Recline and Recline Only

VSR

Item Number	Note	Part Number	Description	Quantity Per	
				Package	Assembly
1	A	0000800	Actuator Assembly, 4" Stroke, V.S.R.	1	1
1	C	0001100	Actuator Assembly, 5" Stroke	1	1
2		0053006-NLA	Screw, Hex Head (1/4-20 x 3/4")	1	1
3		7930323	Package, Locknut (1/4-20)	25	2
4		0051006-NLA	Screw, Hex Head Full Thread (1/4-20 x 1-1/2")	1	1
5		0050406	Washer, Flat (1/4 x 5/8 x 1/16")	1	2
6		7930333	Locknut (1/4-20)	25	1
7	A,B	1072853	Actuator w/ Hardware, 4" Stroke, V.S.R.	1	1
7	A,B	1072854	Actuator w/ Hardware, 5" Stroke, V.S.R.	1	1
8		0314402	Bracket, V.S.R. Mounting	1	1
9		0195606	Screw, Socket Head (1/4-20 x 3/4")	1	2
10		7930323	Package, Locknut (1/4-20)	1	1

NOTE: A - A.B.S. back uses a 4" stroke actuator with 21"-22" back heights. A.B.S. back uses a 5" stroke actuator with 23"-25" back heights. Profile and recessed backs use a 4" stroke actuator with 23"-25" back heights.
 B - Includes items 1-6
 C - 5" Stroke, V.S.R.

Recline

Item Number	Note	Part Number	Description	Quantity Per	
				Package	Assembly
11		0312000	Actuator Assembly, Recline 6.5" Stroke	1	1
12		1028848	Roll Pin (1/8" x 7/8")	1	1
13		0060500	Bushing (3/8 x 1/2 x 5/8")	1	1
14		0054106	Locknut, High Profile (3/8-16)	1	2
15		0053900	Washer, Nylon (3/8 x 13/16 x 1/16")	1	4
16		0054506	Screw, Hex Head (3/8-16 x 2-1/2")	1	1
17		0054606	Screw, Hex Head (3/8-16 x 2")	1	1
18		0056000	O-Ring (1/2 x 7/8 x 3/16")	1	2
19	A	1072821	Actuator w/Hardware	1	1

NOTE: A - Includes items 11-18

Motor Actuators

Tilt, Recline and V.S.R.

Tilt/Recline and Recline Only

Tilt

Item Number	Note	Part Number	Description	Quantity Per	
				Package	Assembly
20		0308500	Actuator Assembly, Large 5" Stroke	1	1
21		0308600	Roll Pin (1/8 x 7/8")	1	1
22		0060500	Bushing (3/8 x 1/2 x 5/8")	1	1
23		0140600	Washer, Rubber (13/16 x 13/32 x 3/32)	1	2
24		0054106	Locknut, High Profile (3/8-16)	1	1
25		0053900	Washer, Nylon (3/8 x 13/16 x 1/16")	1	4
26		0054506	Screw, Hex Head (3/8-16 x 2-1/2")	1	1
27	A	1072786	Actuator, Large 5" Stroke with Hardware	1	1
28	B	0313900	Rod End with Locknut and Roll Pin	1	1
28	C	1077197	Rod End w/ Locknut and Roll Pin	1	1
29	C,D	1084707	Rod End with Locknut and Roll Pin	1	1

NOTE: A - Includes items 20-26
 B - SKF Actuator
 C - Motion Systems Actuator
 D - V.S.R.

Seat Pan and Extensions

Basic Tilt and Tilt Only

NOTE: To achieve a 17" seat depth, order a 16" deep seat pan and 1" extension kit.

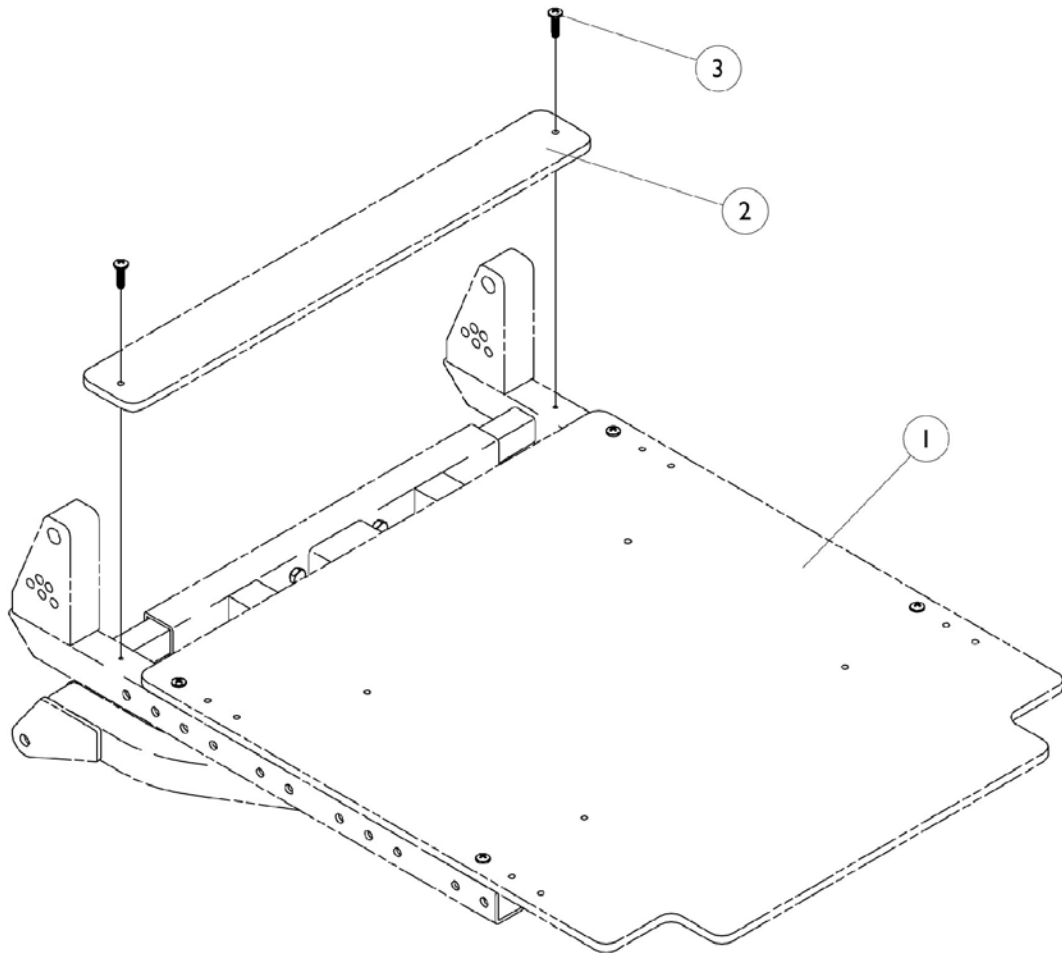
NOTE: To achieve a 19" seat depth, order a 18" deep seat pan and 1" extension kit.

NOTE: To achieve a 20" seat depth, order a 18" deep seat pan and 2" extension kit.

NOTE: 21" and 22" wide seat pans are the only exceptions.

NOTE: 23"-24" Wide x 23"-24" Deep order as specials.

NOTE: 14"-22" Wide x 23"-24" Deep order as specials.



Seat Pan and Extensions

Basic Tilt and Tilt Only

NOTE: To achieve a 17" seat depth, order a 16" deep seat pan and 1" extension kit.

NOTE: To achieve a 19" seat depth, order a 18" deep seat pan and 1" extension kit.

NOTE: To achieve a 20" seat depth, order a 18" deep seat pan and 2" extension kit.

NOTE: 21" and 22" wide seat pans are the only exceptions.

NOTE: 23"-24" Wide x 23"-24" Deep order as specials.

NOTE: 14"-22" Wide x 23"-24" Deep order as specials.

Item #1 Seat Pan

Width	16" Deep	17" Deep	18" Deep	19" Deep	20" Deep	21" Deep	22" Deep
14"	1073042	N/A	1073044	N/A	N/A	0289919	0290019
15"	1073043	N/A	1073045	N/A	N/A	0290319	0290419
16"	0314719	N/A	0122519	N/A	N/A	0290719	0290819
17"	0314819	N/A	0122619-NLA	N/A	N/A	0291119	0291219
18"	0314919	N/A	0122719-NLA	N/A	N/A	0291519-NLA	0219619
19"	0315019	N/A	0122819	N/A	N/A	0291919-NLA	0292019
20"	0315119	N/A	0122919	N/A	N/A	0292319	0292419
21"	0315219	1073094 See Note(s) A	0170019	1073096 See Note(s) A	1073110 See Note(s) A	0292719	0292819
22"	0315319	1073095 See Note(s) A	0170119	1073097 See Note(s) A	1073111 See Note(s) A	0293119	0293219

NOTE: A - Seat pans for 21" and 22" wide are made out of 1 piece material for 17", 19" and 20" deep.

NOTE: To achieve a 17" seat depth, order a 16" deep seat pan and 1" extension kit.

NOTE: To achieve a 19" seat depth, order a 18" deep seat pan and 1" extension kit.

NOTE: To achieve a 20" seat depth, order a 18" deep seat pan and 2" extension kit.

NOTE: 21" and 22" wide seat pans are the only exceptions.

NOTE: 23"-24" Wide x 23"-24" Deep order as specials.

NOTE: 14"-22" Wide x 23"-24" Deep order as specials.

Item #2 Extensions

Width	1" Deep	2" Deep
14"	1073046	1073048
15"	1073047	1073049
16"	0123519	0123019
17"	0123619	0123119
18"	0123719	0123219
19"	0123819	0123319-NLA
20"	0123919	0123419

Seat Pan and Extensions Basic Tilt and Tilt Only

NOTE: To achieve a 17" seat depth, order a 16" deep seat pan and 1" extension kit.

NOTE: To achieve a 19" seat depth, order a 18" deep seat pan and 1" extension kit.

NOTE: To achieve a 20" seat depth, order a 18" deep seat pan and 2" extension kit.

NOTE: 21" and 22" wide seat pans are the only exceptions.

NOTE: 23"-24" Wide x 23"-24" Deep order as specials.

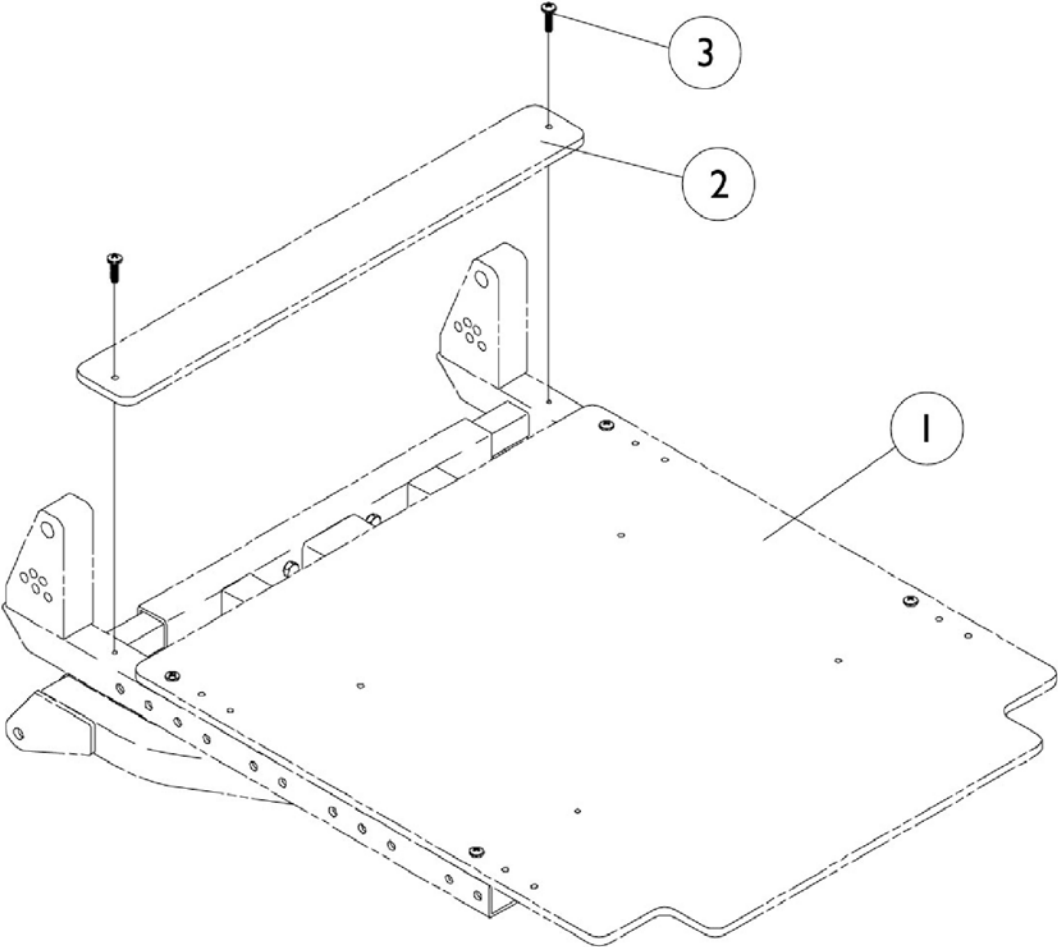
NOTE: 14"-22" Wide x 23"-24" Deep order as specials.

Item Number	Note	Part Number	Description	Quantity Per	
				Package	Assembly
1		See Chart	#1 Seat Pan and Extensions	1	1
2		See Chart	#2 Seat Pan and Extensions	1	1
3		1072695	Screw, Phillips Pan Head Tap (#6 x 1/2")	1	4

Seat Pan and Extensions

Basic Recline 4XP

NOTE: To achieve an 18" seat depth, order a 16" deep seat pan and 2" extension kit.
NOTE: To achieve an 20" seat depth, order a 16" deep seat pan and 4" extension kit.



Item #1 Seat Pan

Depth	16" Wide	18" Wide
16" Deep	0221419	0221519

Seat Pan and Extensions Basic Recline 4XP

NOTE: To achieve an 18" seat depth, order a 16" deep seat pan and 2" extension kit.

NOTE: To achieve an 20" seat depth, order a 16" deep seat pan and 4" extension kit.

Item #2 Seat Pan Extensions

Depth	16" Wide	18" Wide
2" Deep	0123019	0123219
4" Deep	0221119	0221219

Item Number	Note	Part Number	Description	Quantity Per	
				Package	Assembly
1		See Chart	#1 Seat Pan	1	1
2		See Chart	#2 Seat Pan Extensions	1	1
3		1072695	Screw, Phillips Pan Head Tap (#6 x 1/2")	1	4

Seat Pan and Extensions

Tilt/Recline and Recline Only

NOTE: To achieve a 17" seat depth, order a 16" deep seat pan and 1" extension kit.

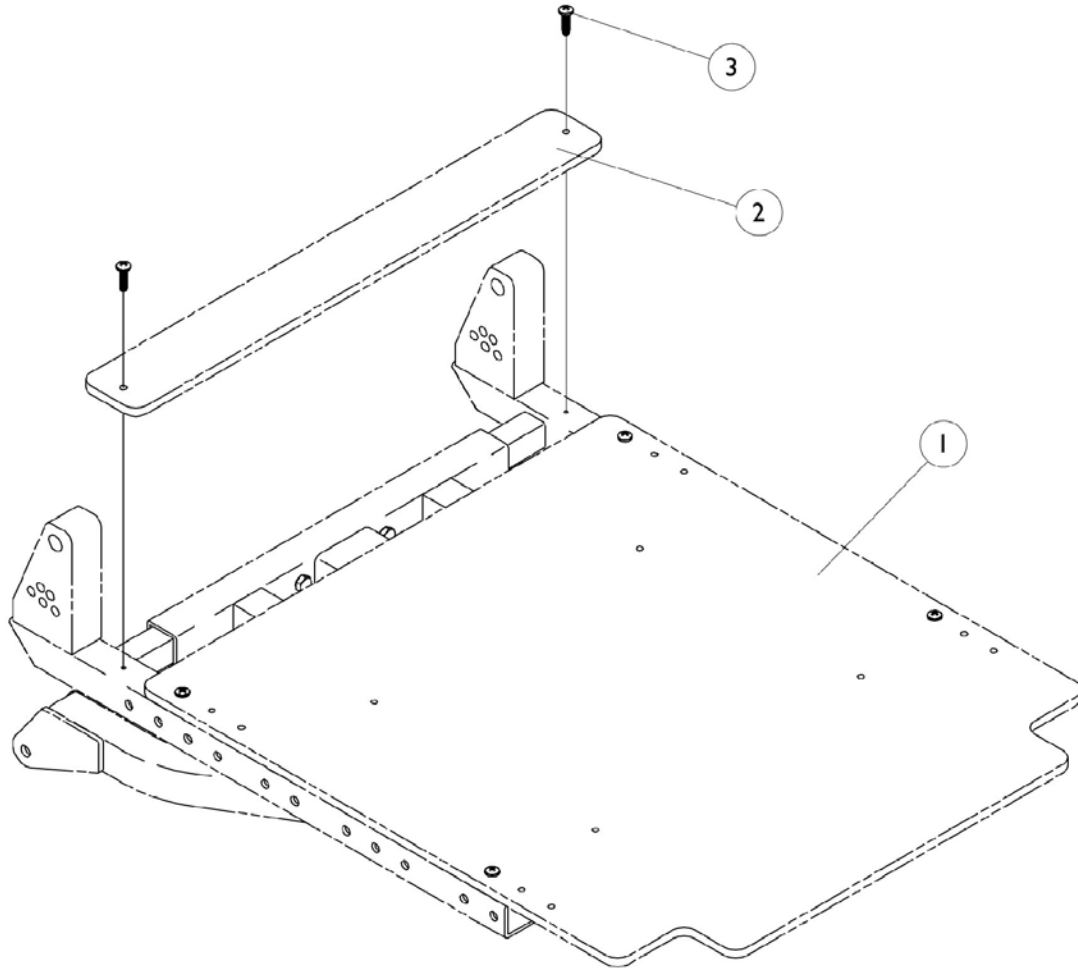
NOTE: To achieve a 19" seat depth, order a 18" deep seat pan and 1" extension kit.

NOTE: To achieve a 20" seat depth, order a 18" deep seat pan and 2" extension kit.

NOTE: 21" and 22" wide seat pans are the only exceptions.

NOTE: 23"-24" Wide x 23"-24" Deep order as specials.

NOTE: 14"-22" Wide x 23"-24" Deep order as specials.



Seat Pan and Extensions Tilt/Recline and Recline Only

NOTE: To achieve a 17" seat depth, order a 16" deep seat pan and 1" extension kit.

NOTE: To achieve a 19" seat depth, order a 18" deep seat pan and 1" extension kit.

NOTE: To achieve a 20" seat depth, order a 18" deep seat pan and 2" extension kit.

NOTE: 21" and 22" wide seat pans are the only exceptions.

NOTE: 23"-24" Wide x 23"-24" Deep order as specials.

NOTE: 14"-22" Wide x 23"-24" Deep order as specials.

Item #1 Seat Pan

Width	16" Deep	17" Deep	18" Deep	19" Deep	20" Deep	21" Deep	22" Deep
14"	1073042	N/A	1073044	N/A	N/A	0289919	0290019
15"	1073043	N/A	1073045	N/A	N/A	0290319	0290419
16"	0314719	N/A	0122519	N/A	N/A	0290719	0290819
17"	0314819	N/A	0122619-NLA	N/A	N/A	0291119	0291219
18"	0314919	N/A	0122719-NLA	N/A	N/A	0291519	0219619
19"	0315019	N/A	0122819	N/A	N/A	0291919	0292019
20"	0315119	N/A	0122919	N/A	N/A	0292319	0292419
21"	0315219	1073094 See Note(s) A	0170019	1073096 See Note(s) A	1073110 See Note(s) A	0292719	0292819
22"	0315319	1073095 See Note(s) A	0170119	1073097 See Note(s) A	1073111 See Note(s) A	0293119	0293219

NOTE: A - Seat pans for 21" and 22" wide are made out of 1 piece material for 17", 19" and 20" deep.

NOTE: To achieve a 17" seat depth, order a 16" deep seat pan and 1" extension kit.

NOTE: To achieve a 19" seat depth, order a 18" deep seat pan and 1" extension kit.

NOTE: To achieve a 20" seat depth, order a 18" deep seat pan and 2" extension kit.

NOTE: 21" and 22" wide seat pans are the only exceptions.

NOTE: 23"-24" Wide x 23"-24" Deep order as specials.

NOTE: 14"-22" Wide x 23"-24" Deep order as specials.

Item #2 Extensions

Width	1" Deep	2" Deep
14"	1073046	1073048
15"	1073047	1073049
16"	0123519	0123019
17"	0123619	0123119
18"	0123719	0123219
19"	0123819	0123319-NLA
20"	0123919	0123419

Seat Pan and Extensions Tilt/Recline and Recline Only

NOTE: To achieve a 17" seat depth, order a 16" deep seat pan and 1" extension kit.

NOTE: To achieve a 19" seat depth, order a 18" deep seat pan and 1" extension kit.

NOTE: To achieve a 20" seat depth, order a 18" deep seat pan and 2" extension kit.

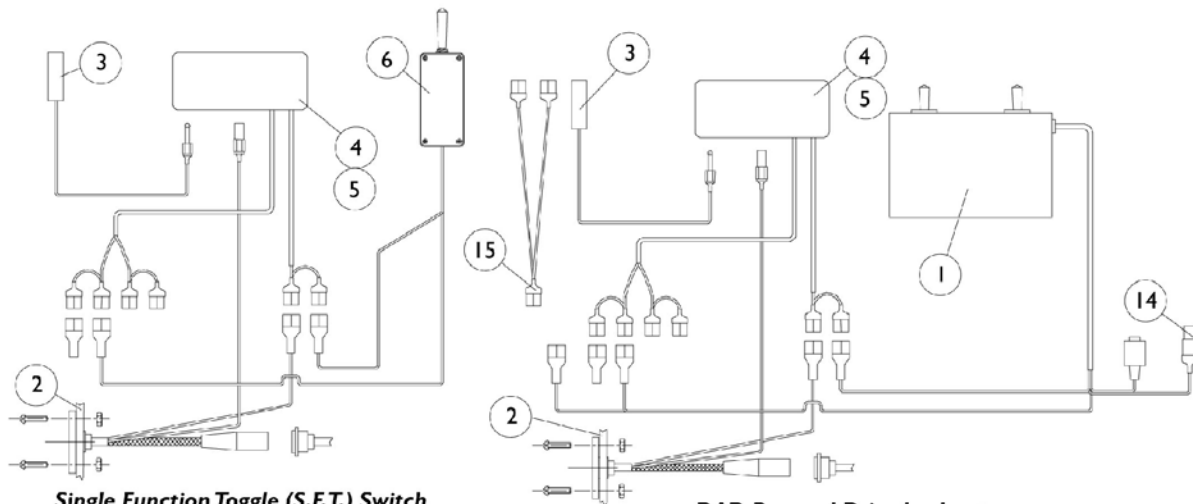
NOTE: 21" and 22" wide seat pans are the only exceptions.

NOTE: 23"-24" Wide x 23"-24" Deep order as specials.

NOTE: 14"-22" Wide x 23"-24" Deep order as specials.

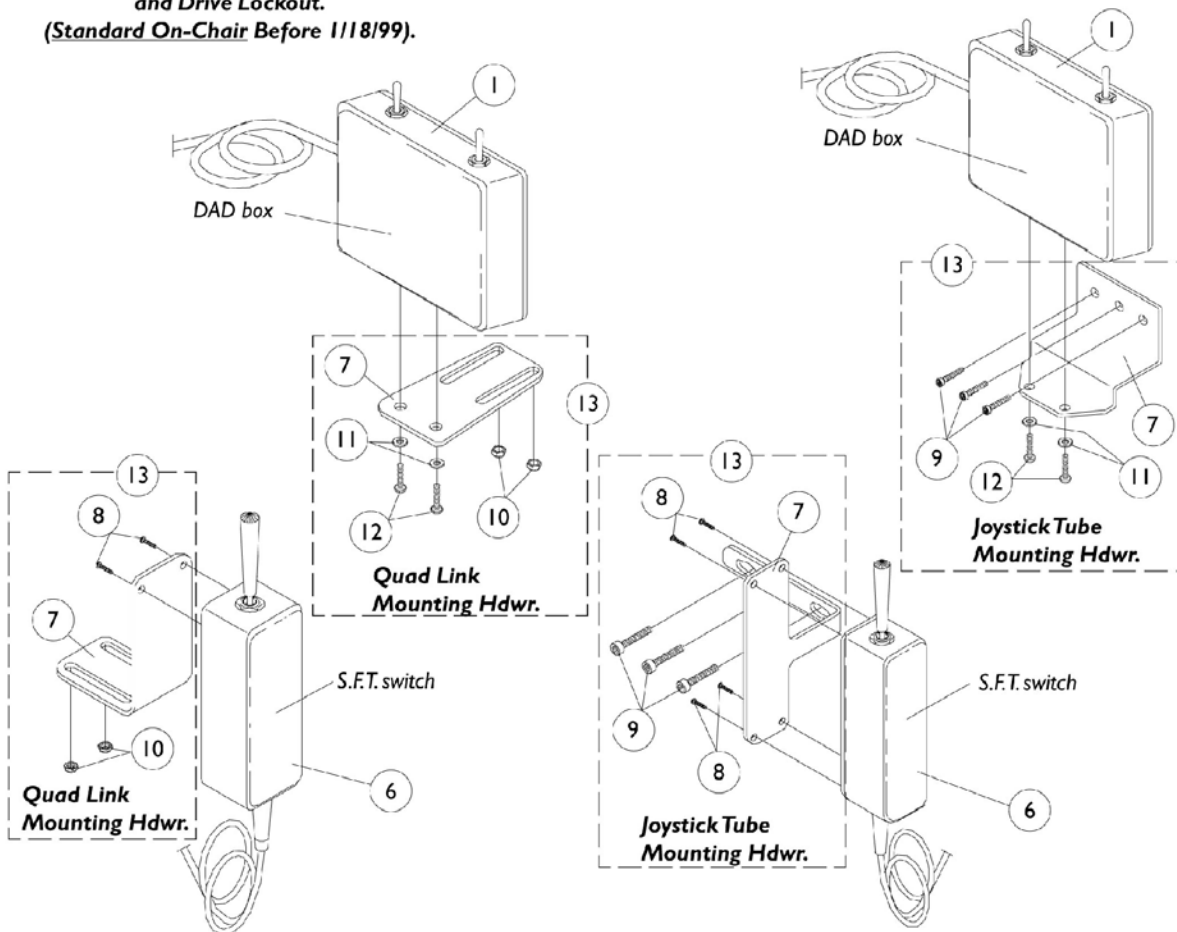
Item Number	Note	Part Number	Description	Quantity Per	
				Package	Assembly
1		See Chart	#1 Seat Pan and Extensions	1	1
2		See Chart	#2 Seat Pan and Extensions	1	1
3		1072695	Screw, Phillips Pan Head Tap (#6 x 1/2")	1	4

S.F.T. Switch Before 1/18/99 w/ Drive Lockout & DAD Box Basic Tilt Only



Single Function Toggle (S.F.T.) Switch and Drive Lockout.
(Standard On-Chair Before 1/18/99).

DAD Box and Drive Lockout



DAD box

DAD box

Quad Link Mounting Hdw.

Joystick Tube Mounting Hdw.

S.F.T. switch

S.F.T. switch

Quad Link Mounting Hdw.

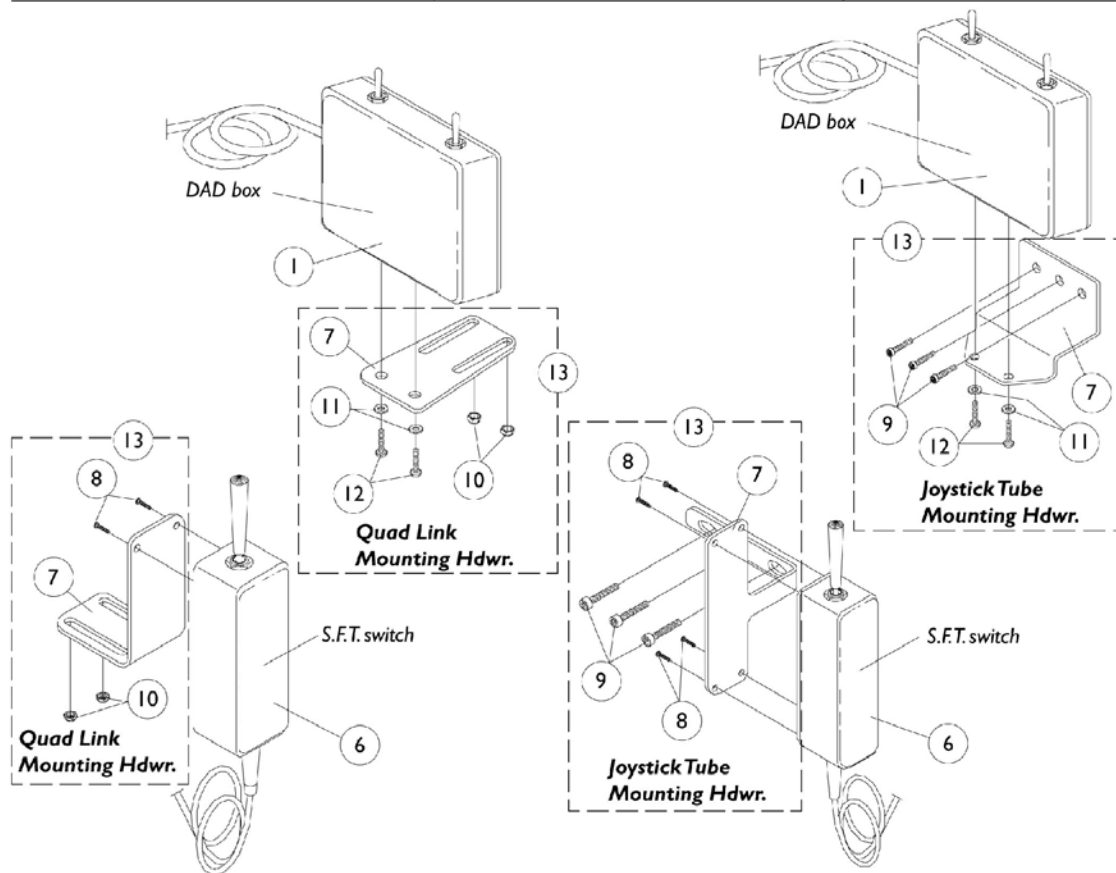
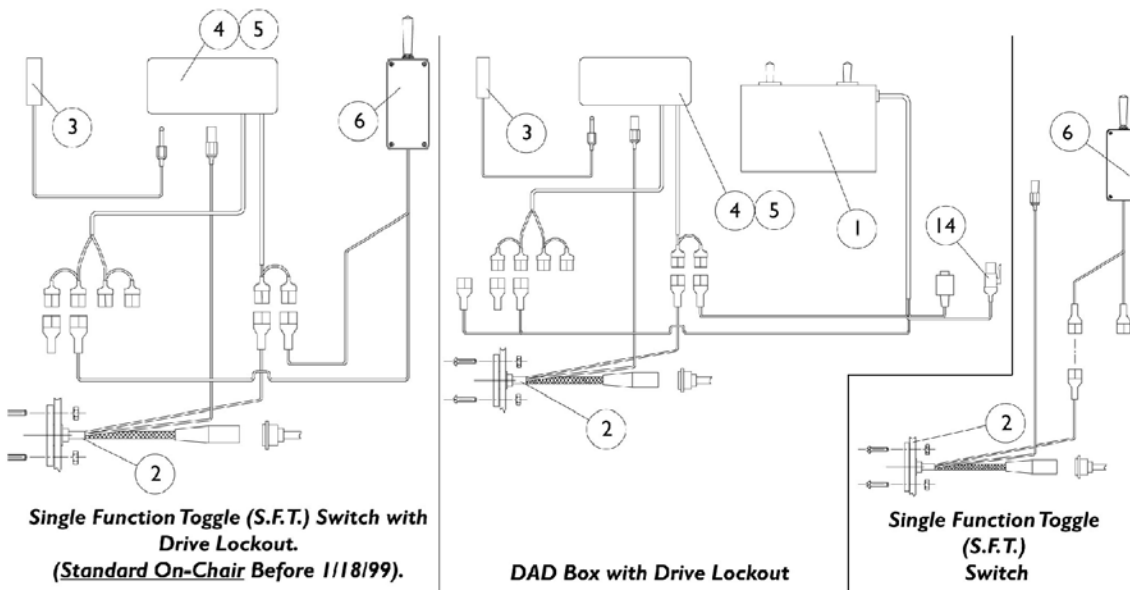
Joystick Tube Mounting Hdw.

S.F.T. Switch Before 1/18/99 w/ Drive Lockout & DAD Box Basic Tilt Only

Item Number	Note	Part Number	Description	Quantity Per	
				Package	Assembly
1		0012700	D.A.D. Box with Tilt Harness	1	1
2		0227700	Power Harness (Storm)	1	1
3	F	0018500	Limit Switch	1	1
4		0012200	Drive Lockout Control Box	1	1
5	E	1077305	Drive Lockout Mounting Hardware (Tilt System)	1	1
5		0020122-NLA	Mounting Plate	1	1
5		1072695	Screw, Phillips Pan Head Tap (#6 x 1/2")	1	2
5		0139606	Screw, Hex Head (5/16-18 x 1")	1	1
5		1072692	Lockwasher, Split (5/16")	1	1
6	A	0037400	S.F.T. Switch	1	1
7	K	0224202	Mounting Plate, S.F.T. Switch, Joystick Tube	1	1
7	J	0224702	Mounting Plate, S.F.T. Switch, Quad Link	1	1
7	K	0225402	Mounting Plate, D.A.D. Box, Joystick Tube	1	1
7	J	0225602	Mounting Plate, D.A.D. Box, Quad Link	1	1
8	D	313329	Screw, Phillips Head (#6-32 x 1/2")	1	2
9		7930304	Screw, Socket Head (1/4-20 x 1-1/4")	25	3
10		317601	Locknut, Low Profile (#10-32)	1	2
11		0224806-NLA	Washer (#10)	1	2
12		0067106	Screw, Phillips Pan Head (#10-32 x 1/2")	1	2
13	K	1077270	Mounting Plate Assembly, S.F.T. Switch, Joystick Tube	1	1
13	J	1077271	Mounting Plate Assembly, S.F.T. Switch, Quad Link	1	1
13	K	1077268	Mounting Plate Assembly, D.A.D. Box, Joystick Tube	1	1
13	J	1077269	Mounting Plate Assembly, D.A.D. Box, Quad Link	1	1
14		0238800	Limit Switch Override (DAD Box)	1	1
15		1077405	Harness, dual Actuator (DAD Box)	1	1
	C,G	0014800	Interface Cable, Invacare R.I.M. Control	1	1
	C,G	0200300	Interface Cable, Power Legs Combined	1	1
	C,H	1082364	Basic Tilt DAD Relay Controller Upgrade Assembly	1	1
	C,I	1084172	Basic Tilt DAD Relay Controller Upgrade Assembly	1	1
	B,C	1084706	Decals, D.A.D. Relay Controller Upgrade (1 Package)	5	1

NOTE: A - Old style S.F.T. switch doesn't have the drive lockout feature built in.
 B - Decal package is supplied in all upgrade kits and covers all systems. Decals not sold separately. Decals are labeled "Tilt," "Recline," "Drive Lockout," "PLeg" and "caution While Propelling."
 C - Not Shown
 D - Joystick Tube Mounting Plate uses 4 each per assembly and the Quad Link Mounting Plate uses 2 each per assembly. Both use 1 each quantity per package.
 E - Part numbers 0020122, 1072695, 0139606, and 1072692 are available for individual sale.
 F - Drive Lockout
 G - IDAD Box Only
 H - Before 1/18/99 (Includes Items 1, 7, 9-12, and 14)
 I - After 1/17/99 (Includes Items 1-5, 7, 9-12, and 14)
 J - Use with Quad Link before 4/07/06
 K - Use with Joystick Tube and Quad Link (QLA) after 4/06/06

S.F.T. Switch Before 1/18/99 w/ Drive Lockout & DAD Box Basic Recline (4XP)

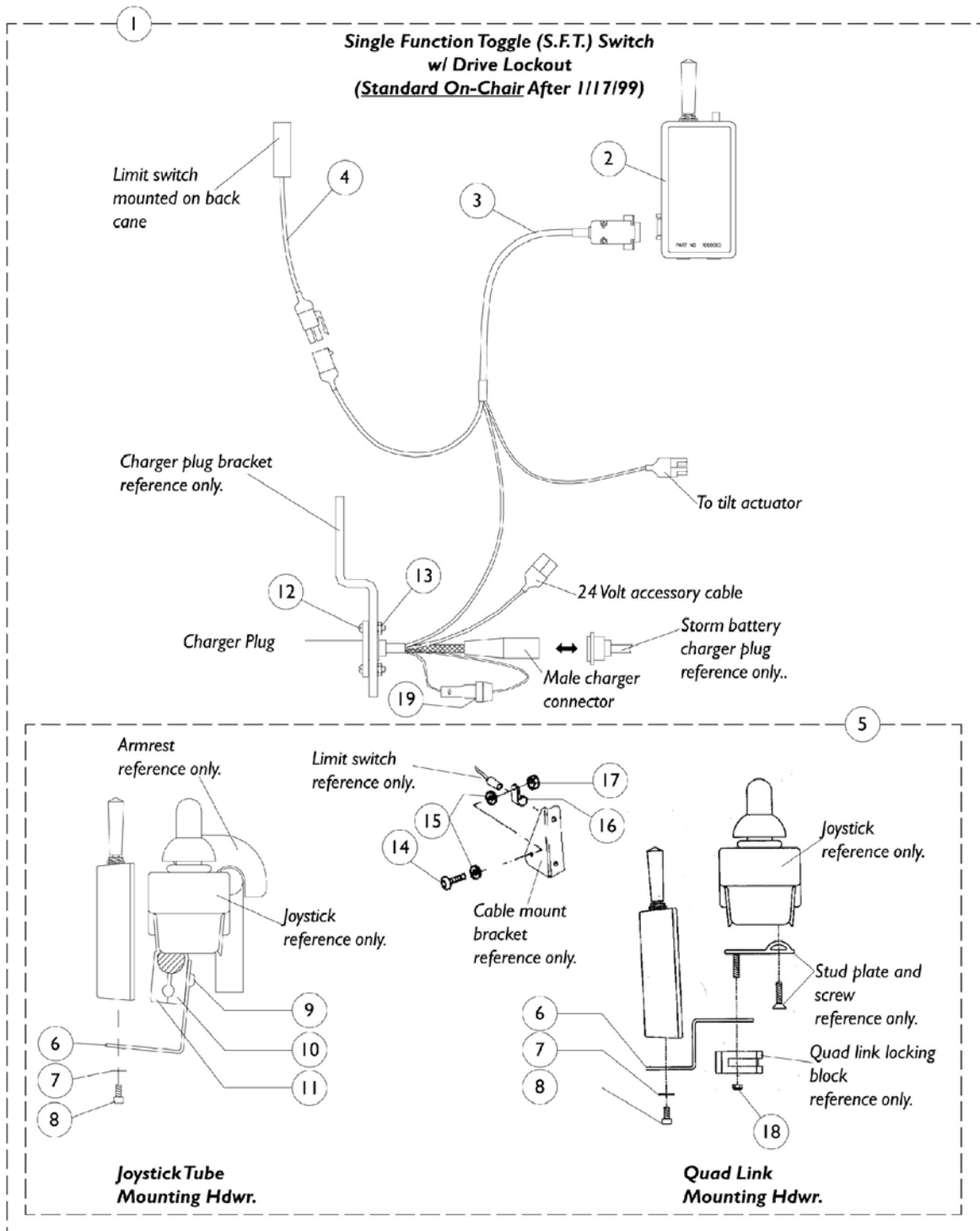


S.F.T. Switch Before 1/18/99 w/ Drive Lockout & DAD Box Basic Recline (4XP)

Item Number	Note	Part Number	Description	Quantity Per	
				Package	Assembly
1		0012600-NLA	DAD Box with Recline Harness	1	1
2		0227700	Power Harness (Storm)	1	1
3	G	0018500	Limit Switch	1	1
4		0012200	Drive Lockout Control Box	1	1
5		1077304	Dual Lock, Male/ Female Adhesive Back (1" x 3")	1	1
6	A	0037400	S.F.T. Switch	1	1
7	J	0224202	Mounting Plate, S.F.T. Switch, Joystick Tube	1	1
7	I	0224702	Mounting Plate, S.F.T. Switch, Quad Link	1	1
7	J	0225402	Mounting Plate, D.A.D. Box, Joystick Tube	1	1
7	I	0225602	Mounting Plate, D.A.D. Box, Quad Link	1	1
8	C	313329	Screw, Phillips Head (#6-32 x 1/2")	1	1
9		7930304	Screw, Socket Head (1/4-20 x 1-1/4")	25	3
10		317601	Locknut, Low Profile (#10-32)	1	2
11		0224806-NLA	Washer (#10)	1	2
12		0067106	Screw, Phillips Pan Head (#10-32 x 1/2")	1	2
13	J	1077270	Mounting Plate Assembly, S.F.T. Switch, Joystick Tube	1	1
13	I	1077271	Mounting Plate Assembly, S.F.T. Switch, Quad Link	1	1
13	J	1077268	Mounting Plate Assembly, D.A.D. Box, Joystick Tube	1	1
13	I	1077269	Mounting Plate Assembly, D.A.D. Box, Quad Link	1	1
14		0238800	Limit Switch Override (DAD Box)	1	1
	D,H	0014800	Interface Cable, Invacare R.I.M. Control	1	1
	D,H	0200300	Interface Cable, Power Legs Combined	1	1
	D,E	0190000	4XP DAD Relay Controller Upgrade Assembly	1	1
	D,F	1084173	4XP DAD Relay Controller Upgrade Assembly	1	1
	B,D	1084706	Decals, D.A.D. Relay Controller Upgrade (1 Package)	5	1

NOTE: A - Old Style S.F.T. switch doesn't have the drive lockout feature built in.
 B - Decal package is supplied in all upgrade kits and covers all systems. Decals not sold separately. Decals are labeled "Tilt," "Recline," "Drive Lockout," "PLeg" and "Caution While Propelling."
 C - Joystick Tube Mounting Plate uses 4 each per assembly and the Quad Link Mounting Plate uses 2 each per assembly. Both use 1 each quantity per package.
 D - Not Shown.
 E - Before 1/18/99 (Includes items 1, 7, 9-12 and 14)
 F - After 1/17/99 (Includes items 1-5, 7, 9-12 and 14)
 G - Drive Lockout
 H - DAD Box Only
 I - Use with Quad Link before 4/07/06
 J - Use with Joystick Tube and Quad Link (QLA) after 4/06/06

S.F.T. Switch After 1/17/99 w/ Drive Lockout Built In Basic Tilt Only

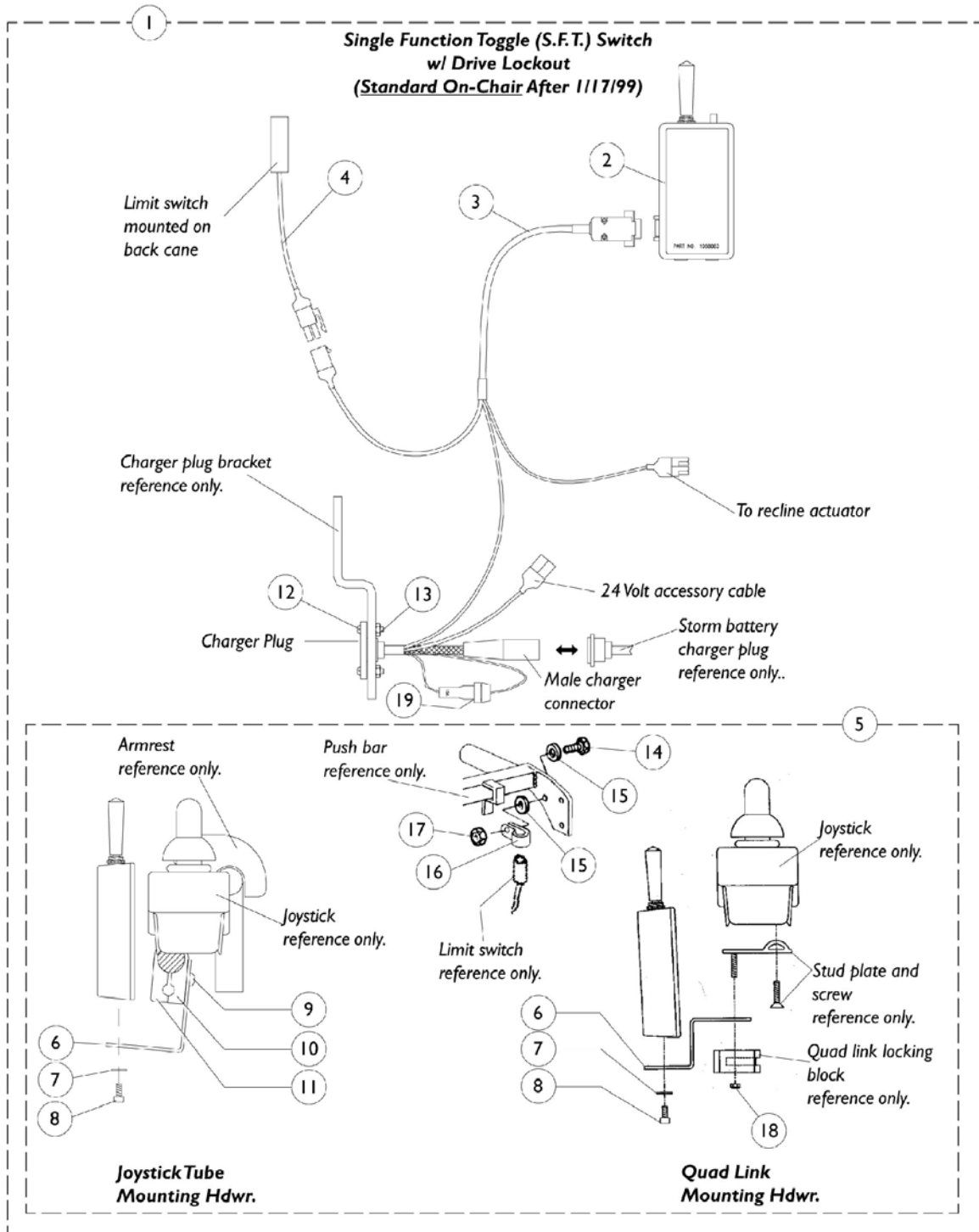


S.F.T. Switch After 1/17/99 w/ Drive Lockout Built In Basic Tilt Only

Item Number	Note	Part Number	Description	Quantity Per	
				Package	Assembly
1	A,C	1068180	Switch, S.F.T. with Drive Lockout Retrofit Kit	1	1
2	A,C	1068083	Switch, S.F.T. w/ Drive Lockout Assembly	1	1
3		1068084	Wiring Harness, S.F.T. Switch w/ Drive Lockout	1	1
4	D	0018600	Limit Switch, Molex Style	1	1
5		1068177	Hardware, Attaching, S.F.T. Switch w/ Drive Lockout Retrofit Kit	1	1
	B	1068181	Instruction Sheet	1	1
6	F	1068171	Bracket, Joystick Mounting	1	1
6	E	1068087	Bracket, Quad Link Mounting	1	1
7		0224806-NLA	Washer (#10)	1	2
8		0067006	Screw, Socket Head (#10-32 x 1/2")	1	2
9		0051206	Screw, Socket Head (1/4-20 x 1-1/4)	1	2
10		1049586	Half Clamp, Non-Threaded Holes	1	1
11		1049584	Half Clamp, Threaded Holes	1	1
12		313329	Screw, Phillips Head (#6-32 x 1/2")	1	2
13		0143205	Locknut, Low Profile (#6-32)	1	2
14		0139306	Screw, Socket Button Head (#10-32 x 3/4")	1	1
15		1077143	Lockwasher, External Tooth (#10)	1	2
16		0062800	Bracket, Cable/Wire Mounting, Black	1	1
17		7930332	Locknut, High Profile (#10-32)	25	1
18		317601	Locknut, Low Profile (#10-32)	1	2
19		98000X055	Fuse, 15 Amp. Automotive	1	1
	B	0154500-NLA	Cable Tie, Black (4" Long)	1	6
	B	0152400	Cable Tie, Black (8" Long)	1	6

NOTE: A - New style S.F.T. switch has the drive lockout feature built in.
 B - Not Shown.
 C - After 1/17/99
 D - Molex Style
 E - Use with Quad Link before 4/07/06
 F - Use with Joystick Tube and Quad Link (QLA) after 4/06/06

S.F.T. Switch After 1/17/99 w/ Drive Lockout Built In Basic Recline 4XP

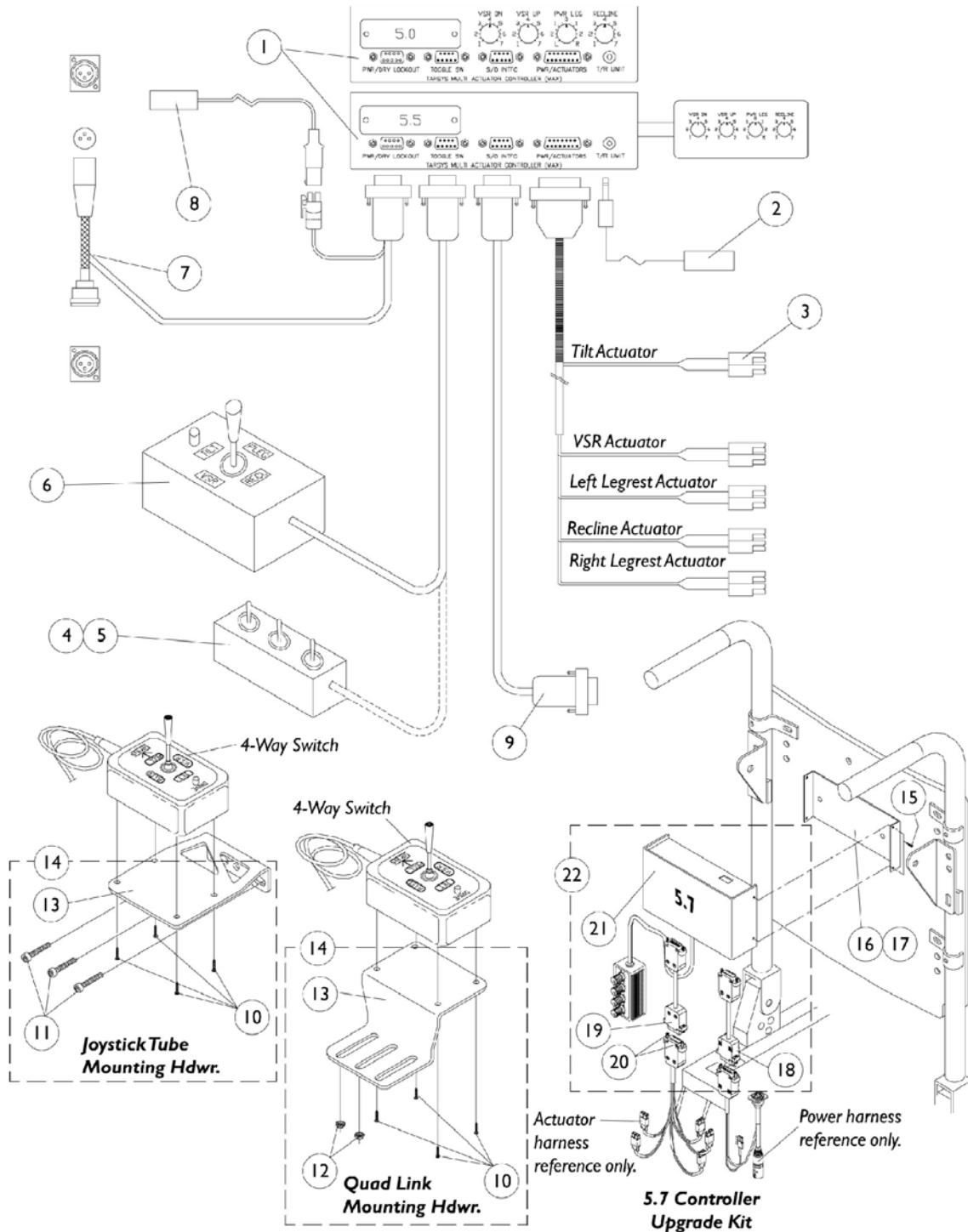


S.F.T. Switch After 1/17/99 w/ Drive Lockout Built In Basic Recline 4XP

Item Number	Note	Part Number	Description	Quantity Per	
				Package	Assembly
1	A,C	1068182	Switch, S.F.T. with Drive Lockout Retrofit Kit	1	1
2	A,C	1068083	Switch, S.F.T. w/ Drive Lockout Assembly	1	1
3		1068178	Wiring Harness, S.F.T. Switch with Drive Lockout	1	1
4	D	0018600	Limit Switch, Molex Style	1	1
5		1068177	Hardware, Attaching, S.F.T. Switch w/ Drive Lockout Retrofit Kit	1	1
	B	1077196	Instruction Sheet	1	1
6	F	1068171	Bracket, Joystick Mounting	1	1
6	E	1068087	Bracket, Quad Link Mounting	1	1
7		0224806-NLA	Washer (#10)	1	2
8		0067006	Screw, Socket Head (#10-32 x 1/2")	1	2
9		0051206	Screw, Socket Head (1/4-20 x 1-1/4)	1	2
10		1049586	Half Clamp, Non-Threaded Holes	1	1
11		1049584	Half Clamp, Threaded Holes	1	1
12		313329	Screw, Phillips Head (#6-32 x 1/2")	1	2
13		0143205	Locknut, Low Profile (#6-32)	1	2
14		0139306	Screw, Socket Button Head (#10-32 x 3/4")	1	1
15		1077143	Lockwasher, External Tooth (#10)	1	2
16		0062800	Bracket, Cable/Wire Mounting, Black	1	1
17		7930332	Locknut, High Profile (#10-32)	25	1
18		317601	Locknut, Low Profile (#10-32)	1	2
19		98000X055	Fuse, 15 Amp. Automotive	1	1
	B	0154500-NLA	Cable Tie, Black (4" Long)	1	6
	B	0152400	Cable Tie, Black (8" Long)	1	6

NOTE: A - New style S.F.T. switch has the drive lockout feature built in.
B - Not Shown.
C - After 1/17/99
D - Molex Style
E - Use with Quad Link before 4/07/06
F - Use with Joystick Tube and Quad Link (QLA) after 4/06/06

Max Controller 5.0, 5.5 & 4-Way Switch Tilt Only

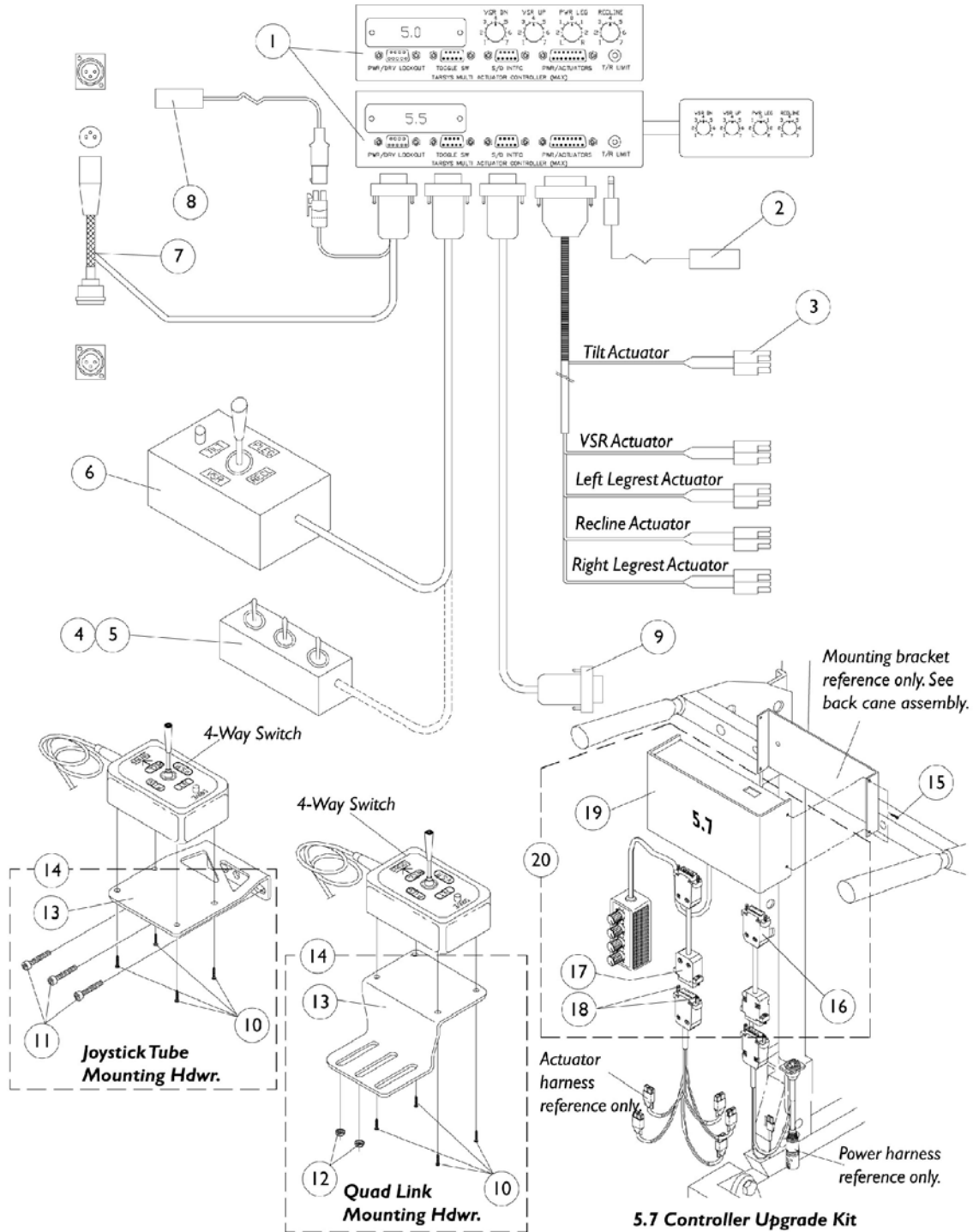


Max Controller 5.0, 5.5 & 4-Way Switch Tilt Only

Item Number	Note	Part Number	Description	Quantity Per	
				Package	Assembly
1		0020000	MAX Controller, 5.0	1	1
1		0189000	MAX Controller, 5.5	1	1
2	E	0018500	Limit Switch	1	1
3		0019000	Actuator Harness	1	1
4		0038100	Switch Box, Triple	1	1
4		0037900	Switch Box, Double	1	1
4		0038000	Switch Box, Single	1	1
5		1077304	Dual Lock, Male/ Female Adhesive Back (1" x 3")	1	1
6		0279800	Four Way Switch Box	1	1
7		0118100-NLA	Power Harness, Storm, Square Plug	1	1
7		0190200	Power Harness, Storm, Round Plug	1	1
8	C	0018600	Limit Switch, Molex Style	1	1
9		0200300	Interface Cable, Power Legs Combined	1	1
9		0015000	Interface Cable, Power Legs Independent (1 or 2 Functions)	1	1
9		0014800	Interface Cable, Invacare R.I.M. Control	1	1
9		0015400	Interface Cable, Peachtree Power Legs Combined	1	1
10		1072695	Screw, Phillips Pan Head Tap (#6 x 1/2")	1	4
11		7930304	Screw, Socket Head (1/4-20 x 1-1/4")	25	3
12		317601	Locknut, Low Profile (#10-32)	1	2
13	G	0194602	Mounting Plate, Joystick tube	1	1
13	F	0212002	Mounting Plate, Quad Link	1	1
14	G	1077266	Mounting Plate Assembly, Joystick Tube	1	1
14	F	1077267	Mounting Plate Assembly, Quad Link	1	1
15		0067906-NLA	Screw, Phillips Head (#4-40 x 1/4")	1	4
16		0117206-NLA	Mounting Plate, Max Controller (4.0-5.5)	1	1
17	D	7930333	Locknut (1/4-20)	25	2
18		0279600	Adapter Cable, Power Harness 5.7 to 5.0-5.5	1	1
19		0279500	Adapter Cable, Actuator Harness 5.7 to 5.0-5.5	1	1
20		1082368	Stand-Off (1/4"D x 1/4"Long #4-40)	1	4
21		1081573	MAX Controller 5.7 (For Upgrade Kit Only)	1	1
22	B	1081827	MAX Controller 5.7 Upgrade Kit	1	1
	A	1085399	Instruction Sheet - MAX Controller 5.7 Upgrade Kit	1	1

NOTE: A - Not Shown
 B - Includes items 18-21 and Instruction Sheet
 C - Drive Lockout
 D - Anchors Mounting Plate to Back Assembly
 E - Tilt and Recline
 F - Use with Quad Link before 4/07/06
 G - Use with Joystick Tube and Quad Link (QLA) after 4/06/06

MAX Controller 5.0, 5.5 & 4-Way Switch Tilt/Recline and Recline Only

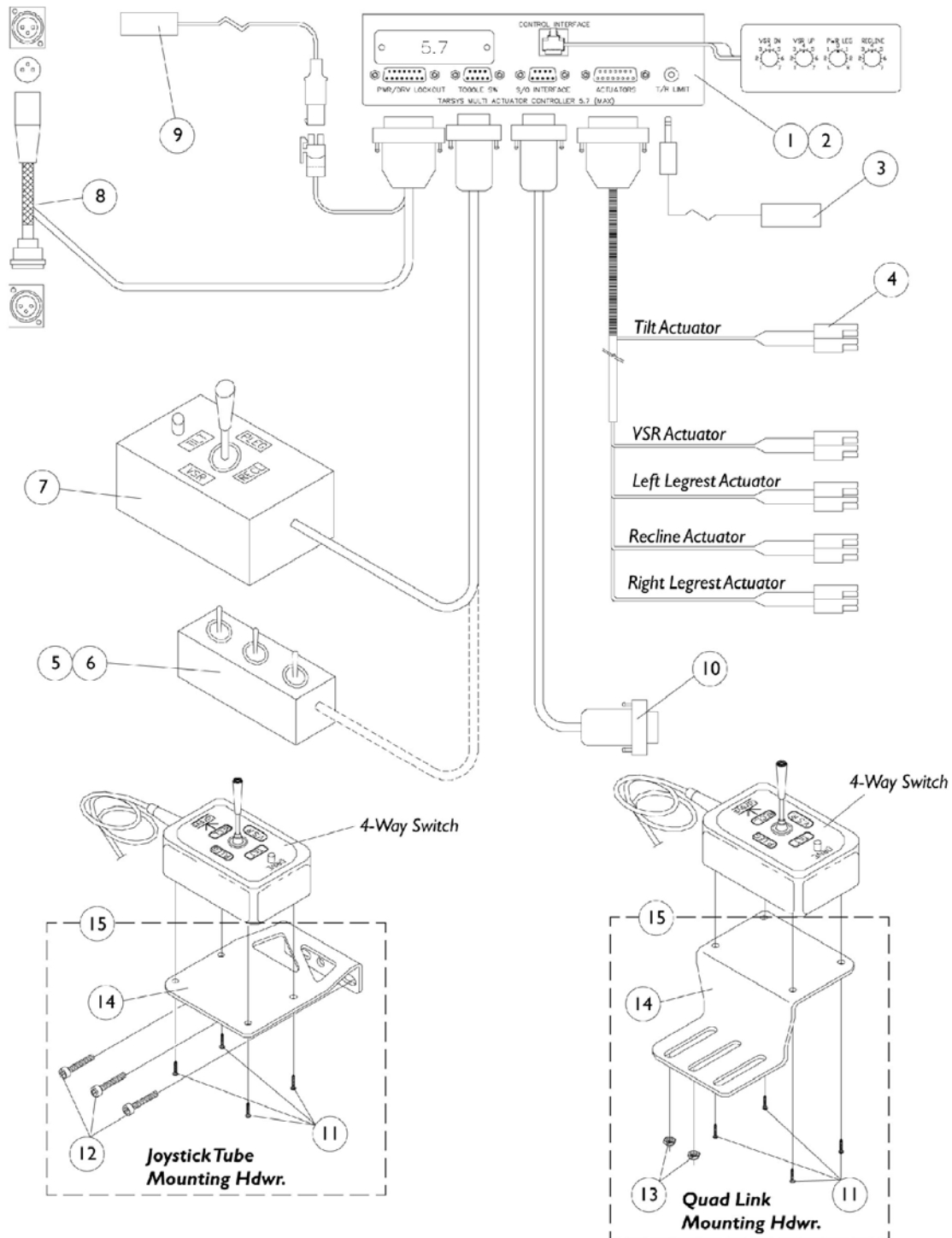


MAX Controller 5.0, 5.5 & 4-Way Switch Tilt/Recline and Recline Only

Item Number	Note	Part Number	Description	Quantity Per	
				Package	Assembly
1		0020000	MAX Controller, 5.0	1	1
1		0189000	MAX Controller, 5.5	1	1
2	D	0018500	Limit Switch	1	1
3		0019000	Actuator Harness	1	1
4		0038100	Switch Box, Triple	1	1
4		0037900	Switch Box, Double	1	1
4		0038000	Switch Box, Single	1	1
5		1077304	Dual Lock, Male/ Female Adhesive Back (1" x 3")	1	1
6		0279800	Four Way Switch Box	1	1
7		0118100-NLA	Power Harness, Storm, Square Plug	1	1
7		0190200	Power Harness, Storm, Round Plug	1	1
8	C	0018600	Limit Switch, Molex Style	1	1
9		0200300	Interface Cable, Power Legs Combined	1	1
9		0015000	Interface Cable, Power Legs Independent (1 or 2 Functions)	1	1
9		0014800	Interface Cable, Invacare R.I.M. Control	1	1
9		0015400	Interface Cable, Peachtree Power Legs Combined	1	1
10		1072695	Screw, Phillips Pan Head Tap (#6 x 1/2")	1	4
11		7930304	Screw, Socket Head (1/4-20 x 1-1/4")	25	3
12		317601	Locknut, Low Profile (#10-32)	1	2
13	F	0194602	Mounting Plate, Joystick tube	1	1
13	E	0212002	Mounting Plate, Quad Link	1	1
14	F	1077266	Mounting Plate Assembly, Joystick Tube	1	1
14	E	1077267	Mounting Plate Assembly, Quad Link	1	1
15		0067906	Screw, Phillips Head (#4-40 x 1/4")	1	4
16		0279600	Adapter Cable, Power Harness 5.7 to 5.0-5.5	1	1
17		0279500	Adapter Cable, Actuator Harness 5.7 to 5.0-5.5	1	1
18		1082368	Stand-Off (1/4"D x 1/4"Long #4-40)	1	4
19		1081573	MAX Controller 5.7 (For Upgrade Kit Only)	1	1
20	B	1081827	MAX Controller 5.7 Upgrade Kit	1	1
	A	1085399	Instruction Sheet - MAX Controller 5.7 Upgrade Kit	1	1

NOTE: A - Not Shown.
B - Includes items 16-19 and Instruction Sheet
C - Drive Lockout
D - Tilt and Recline
E - Use with Quad Link before 4/07/06
F - Use with Joystick Tube and Quad Link (QLA) after 4/06/06

MAX Controller 5.7 S/N start at TE4000 & 4-Way Switch Tilt Only



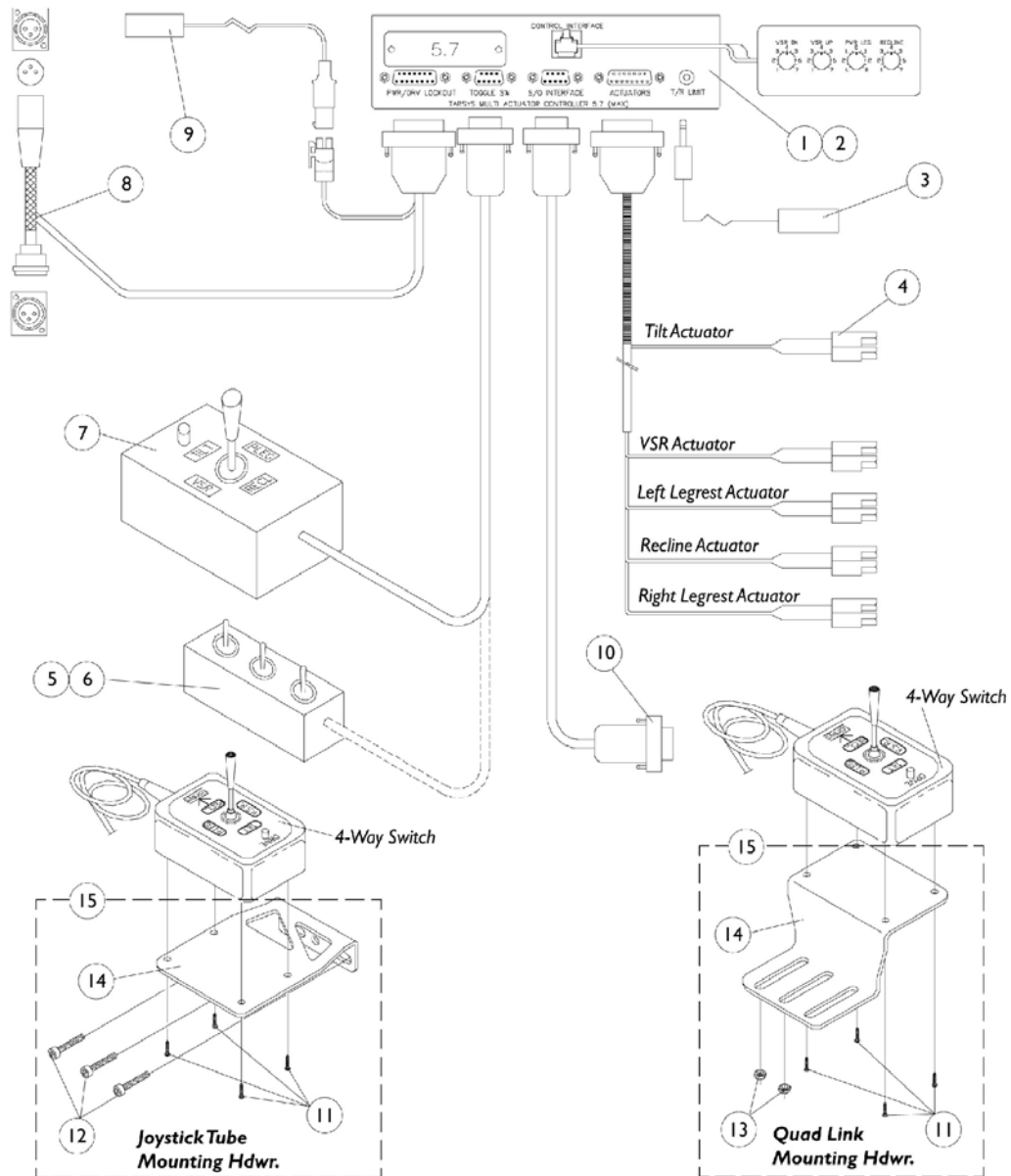
MAX Controller 5.7 S/N start at TE4000 & 4-Way Switch Tilt Only

Item Number	Note	Part Number	Description	Quantity Per	
				Package	Assembly
1		0282700-NLA	MAX Controller (5.7)	1	1
	E,F	1081573	MAX Controller 5.7 (For Upgrade Kit Only)	1	1
2	A	0051406-NLA	Screw, Socket Head (1/4 x 1-3/4")	1	2
2	A	0050406	Washer, Flat (1/4 x 5/8 x 1/16")	1	2
2	A	7930333	Locknut (1/4-20)	1	2
2	A	0233222	Spacer, Plastic	1	2
2	A	0296500	MAX ControllerBag (5.7)	1	1
2	B	0258006	Screw, Socket Head (1/4-20 x 5/8")	1	2
2	B	1007453	Lockwasher, Split (1/4")	1	2
2	B	0296500	MAX ControllerBag (5.7)	1	1
2	C	1024793	Screw, Hex Head (1/4-20 x 1-3/4")	1	2
2	C	0053200	Rivnut (1/4-20 x 11/16")	1	2
2	C	1007453	Lockwasher, Split (1/4")	1	2
2	C	0233222	Spacer, Plastic	1	2
2	C	0296500	MAX ControllerBag (5.7)	1	1
3	D	0018500	Limit Switch	1	1
4		0278600	Actuator Harness	1	1
5		0038100	Switch Box, Triple	1	1
5		0037900	Switch Box, Double	1	1
5		0038000	Switch Box, Single	1	1
6		1077304	Dual Lock, Male/ Female Adhesive Back (1" x 3")	1	1
7		0279800	Four Way Switch Box	1	1
8		0278900-NLA	Power Harness, Storm (Round Plug)	1	1
9		0018600	Limit Switch, Molex Style	1	1
10		0200300	Interface Cable, Power Legs Combined	1	1
10		0015000	Interface Cable, Power Legs Independent (1 or 2 Functions)	1	1
10		0014800	Interface Cable, Invacare R.I.M. Control	1	1
10		0015400	Interface Cable, Peachtree Power Legs Combined	1	1
11		1072695	Screw, Phillips Pan Head Tap (#6 x 1/2")	1	4
12		7930304	Screw, Socket Head (1/4-20 x 1-1/4")	25	3
13		317601	Locknut, Low Profile (#10-32)	1	2
14	H	0194602	Mounting Plate, Joystick tube	1	1
14	G	0212002	Mounting Plate, Quad Link	1	1
15	H	1077266	Mounting Plate Assembly, Joystick Tube	1	1
15	G	1077267	Mounting Plate Assembly, Quad Link	1	1

NOTE: A - Curved A.B.S. Back (Tilt System)
 B - Profile Back (Tilt System)
 C - Back Canes Only (Tilt System)
 D - Tilt and Recline
 E - Max Controller 5.7 is used only when the power and actuator "Adaptor Cables" are present.
 F - Not Shown
 G - Use with Quad Link before 4/07/06
 H - Use with Joystick Tube and Quad Link (QLA) after 4/06/06

MAX Controller 5.7 S/N start at TE4000 & 4-Way Switch Tilt/Recline and Recline Only

NOTE: MKIVT.R.C.M. replaced the 5.7 MAX controller 6/15/98.



MAX Controller 5.7 S/N start at TE4000 & 4-Way Switch Tilt/Recline and Recline Only

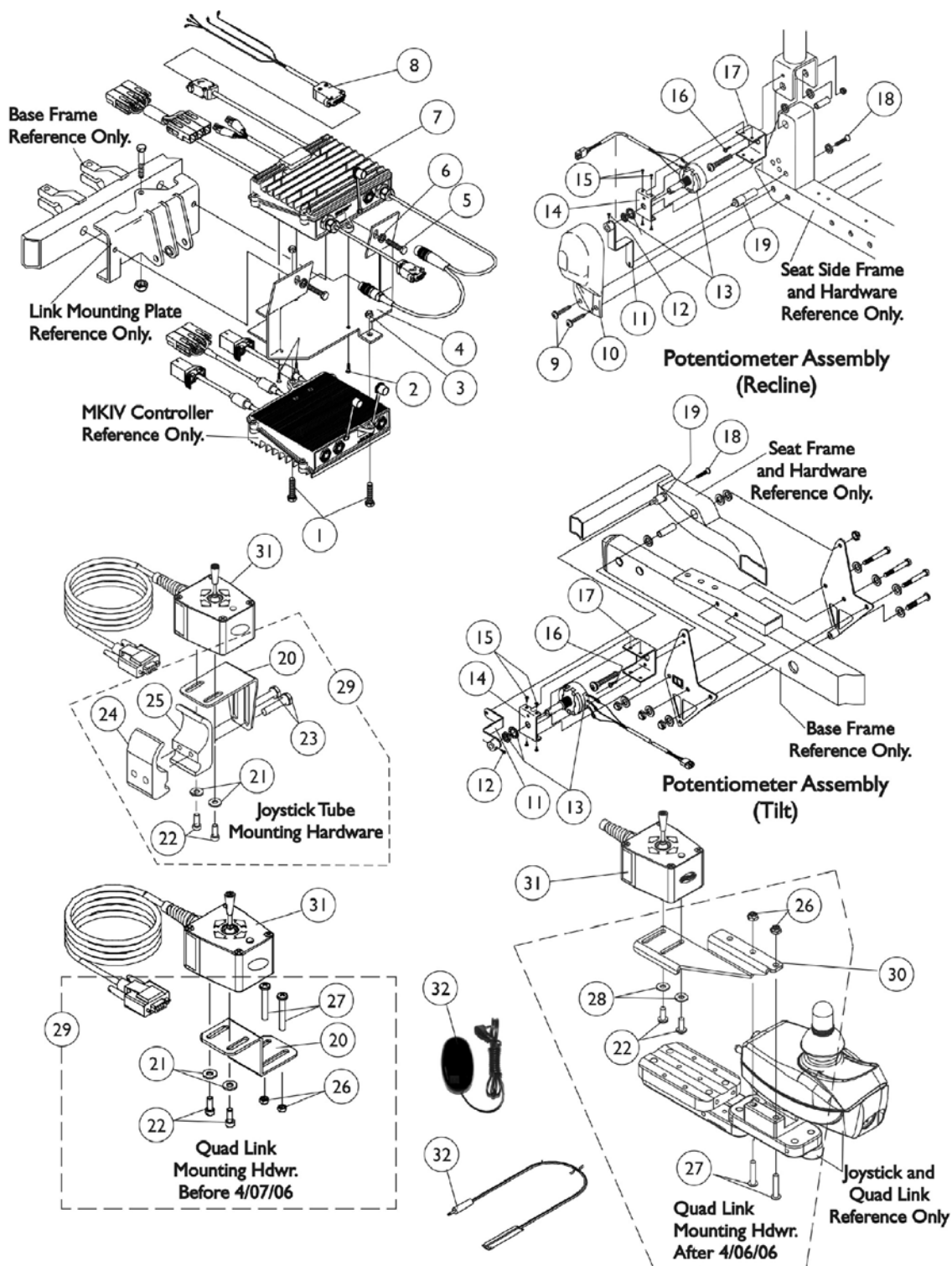
Item Number	Note	Part Number	Description	Quantity Per	
				Package	Assembly
1	C,D	0282700-NLA	MAX Controller (5.7)	1	1
		1081573	MAX Controller 5.7 (For Upgrade Kit Only)	1	1
2		0139306	Screw, Socket Button Head (#10-32 x 3/4")	1	2
2		0281300	Rivnut (#10-32 x 19/32")	1	2
2		0224806-NLA	Washer (#10)	1	2
3	A	0018500	Limit Switch	1	1
4		0278600	Actuator Harness	1	1
5		0038100	Switch Box, Triple	1	1
5		0037900	Switch Box, Double	1	1
5		0038000	Switch Box, Single	1	1
6		1077304	Dual Lock, Male/ Female Adhesive Back (1" x 3")	1	1
7		0279800	Four Way Switch Box	1	1
8		0278900-NLA	Power Harness, Storm (Round Plug)	1	1
9	B	0018600	Limit Switch, Molex Style	1	1
10		0200300	Interface Cable, Power Legs Combined	1	1
10		0015000	Interface Cable, Power Legs Independent (1 or 2 Functions)	1	1
10		0014800	Interface Cable, Invacare R.I.M. Control	1	1
10		0015400	Interface Cable, Peachtree Power Legs Combined	1	1
11		1072695	Screw, Phillips Pan Head Tap (#6 x 1/2")	1	4
12		7930304	Screw, Socket Head (1/4-20 x 1-1/4")	25	3
13		317601	Locknut, Low Profile (#10-32)	1	2
14	F	0194602	Mounting Plate, Joystick tube	1	1
14	E	0212002	Mounting Plate, Quad Link	1	1
15	F	1077266	Mounting Plate Assembly, Joystick Tube	1	1
15	E	1077267	Mounting Plate Assembly, Quad Link	1	1

NOTE: A - Tilt and Recline
 B - Drive Lockout
 C - Max Controller 5.7 is used only when the power and actuator "Adaptor Cables" are present.
 D - Not Shown
 E - Use with Quad Link before 4/07/06
 F - Use with Joystick Tube and Quad Link (QLA) after 4/06/06

T.R.C.M. & 4-Way Switch

Tilt Only or Tilt/Recline and Recline Only

NOTE: MKIV T.R.C.M. replaced the 5.7 MAX controller 6/15/98 and became standard On-Chair for the seating systems listed above.



T.R.C.M. & 4-Way Switch

Tilt Only or Tilt/Recline and Recline Only

Item Number	Note	Part Number	Description	Quantity Per	
				Package	Assembly
1		1025708	Bolt, Hex Head Cap (1/4-20 x 3/4")	1	2
2		1025729	Screw, Self Tapping Pan Head (#8-32 x 3/8")	1	3
3		1025736	Locknut (1/4-20)	1	2
4		1079846-NLA	Bracket, T.R.C.M. Controller Mounting	1	1
5		0139606	Screw, Hex Head (5/16-18 x 1")	1	2
6		1072692	Lockwasher, Split (5/16")	1	2
7		1079017	Controller, MKIV T.R.C.M.	1	1
8		1080133	Harness, Motor Actuator	1	1
9		0065706	Screw, Phillips Self-Tapping (#10-32 x 3/4")	1	2
10		1077764-NLA	Cover, Potentiometer Mounting Bracket	1	1
11		1079272	Lever Weldment	1	1
12		1025275	Set Screw with Nylock (#8-32 x 1/4")	1	1
13		1079991	Recline Potentiometer w/ Harness, Nut and Washer	1	1
13		1079992	Tilt Potentiometer w/ Harness, Nut and Washer	1	1
14		1079278	Plate, Back	1	1
15		1017766	Screw, Phillips Pan Head (4-40 x 1/4")	1	4
16		1017766	Screw, Phillips Pan Head (4-40 x 1/4")	1	1
17		1079276	Plate, Front	1	1
18		1017423	Screw, Slotted Hex Washer Head (#10-32 x 1/2")	1	1
19		1079274	Stud, Mounting	1	1
29	A	1077519	Kit, 4-Way Switch Joystick Tube Mounting Hardware	1	1
20			Bracket, Joystick Mounting	1	1
21			Washer (#10 Flat)	1	2
22			Screw, Phillips Pan Head (#10-32 x 1/2")	1	2
23			Screw, Hex Head (1/4-20 x 1-1/8")	1	2
24			Half Clamp, Non-Threaded Holes	1	1
25			Half Clamp, Threaded Holes	1	1
29	B	1077520	Kit, 4-Way Switch Quad Link Mounting Hardware	1	1
20			Bracket, Quad Link Mounting	1	1
21			Washer (#10 Flat)	1	2
22			Screw, Phillips Pan Head (#10-32 x 1/2")	1	2
26			Locknut (#10-32)	1	2
27			Screw, Phillips Pan Head (#10-32 x 1-3/8")	1	2
29	D	1139418	Kit, 4-Way Switch Quad Link Mounting Hardware	1	1
22			Screw, Phillips Pan Head (#10-32 x 1/2")	1	2
26			Locknut (#10-32)	1	2
27			Screw, Phillips Pan Head w/Patch (#10-32 x 7/8")	1	2
28			Washer, Nylon (#10)	1	2
30		1134132	Bracket, 4-Way Switch Quad Link, Black - Right	1	1
30		1134133	Bracket, 4-Way Switch Quad Link, Black - Left	1	1
31		1080116	Switch, 4-Way (FWT)	1	1
32		1020818	Switch, Red Flex Ribbon (Tape) Reset	1	1

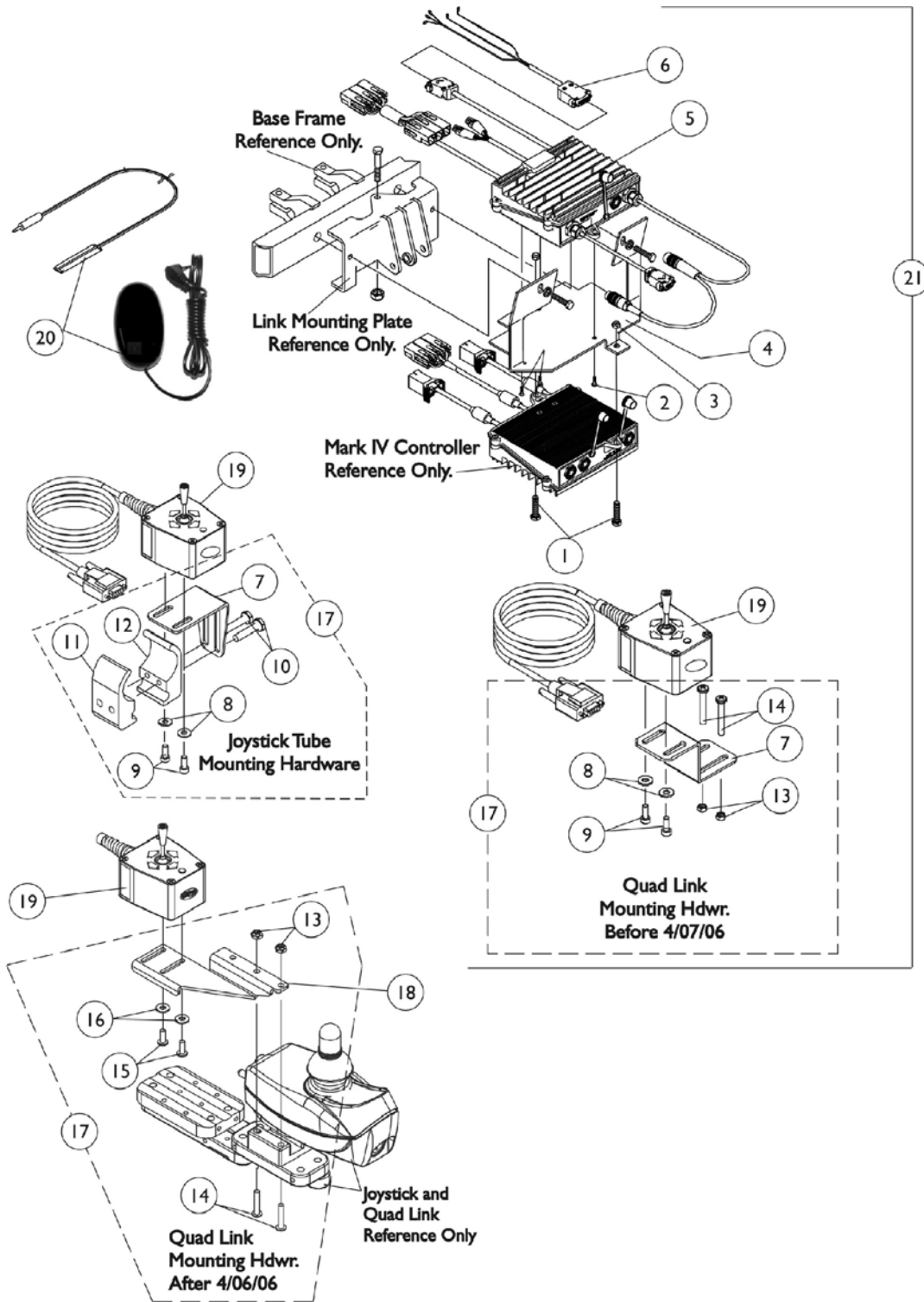
T.R.C.M. & 4-Way Switch

Tilt Only or Tilt/Recline and Recline Only

Item Number	Note	Part Number	Description	Quantity Per	
				Package	Assembly
32	C	1123276	Kit, Switch, Black Egg Reset, with Hook/Loop Adhesive Back Fastener & Attaching Screws (EGSBLK)	1	1
NOTE: A - Includes items 20-25 B - Before 4/07/06 and includes items 20-22, 26 and 27 C - After 5/23/04 the Egg Reset Switch became available as a service part and can be used as a direct replacement for the tape reset switch part # 1020818. D - After 4/06/06 and includes items 22, 26-28					

T.R.C.M. Upgrade Kit with Mercury Switches

Tilt Only or Tilt/Recline and Recline Only



T.R.C.M. Upgrade Kit with Mercury Switches Tilt Only or Tilt/Recline and Recline Only

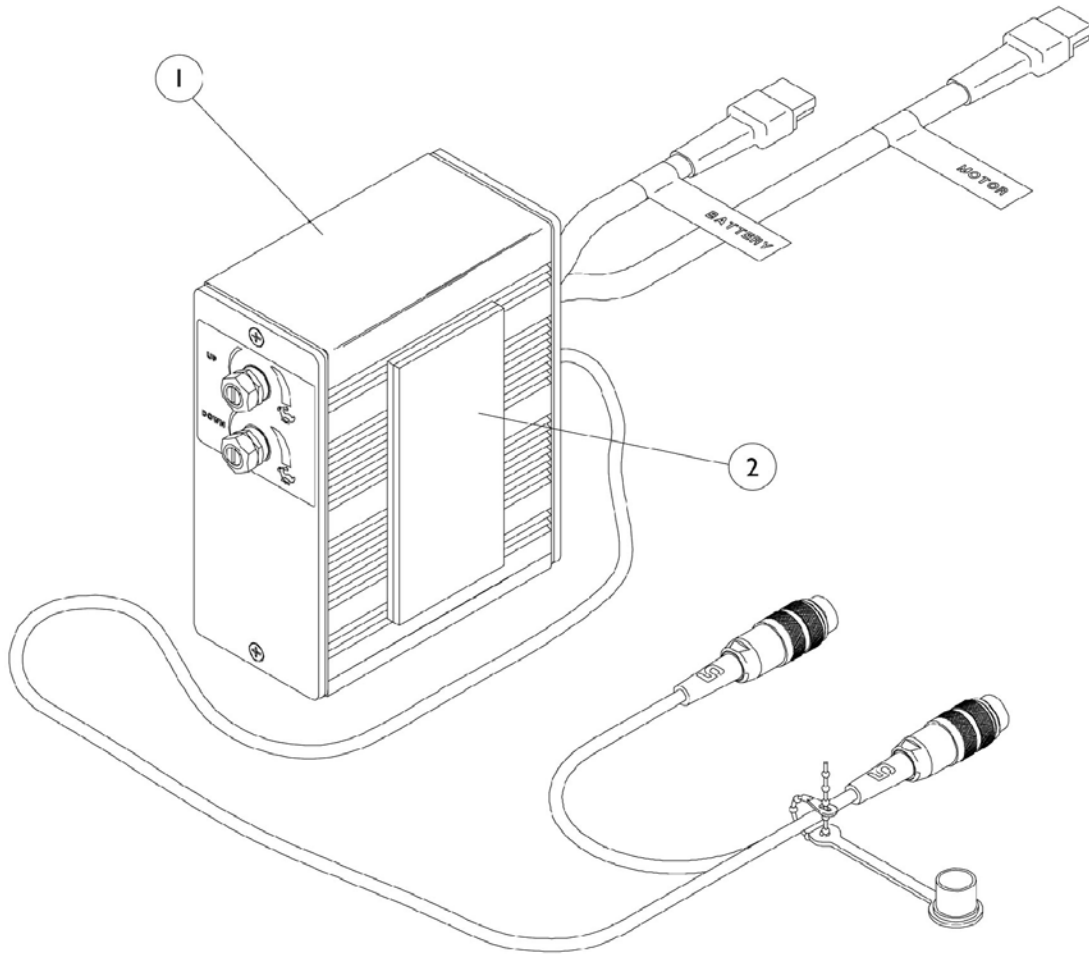
Item Number	Note	Part Number	Description	Quantity Per	
				Package	Assembly
1		1025708	Bolt, Hex Head Cap (1/4-20 x 3/4")	1	2
2		1025729	Screw, Self Tapping Pan Head (#8-32 x 3/8")	1	3
3		1025736	Locknut (1/4-20)	1	2
4		1079846-NLA	Bracket, T.R.C.M. Controller Mounting	1	1
5		1079017	Controller, MKIV T.R.C.M.	1	1
6		1080133	Harness, Motor Actuator	1	1
17	D	1077519	Kit, 4-Way Switch Joystick Tube Mounting Hardware	1	1
7			Bracket, Joystick Mounting	1	1
8			Washer (#10 Flat)	1	2
9			Screw, Phillips Pan Head (#10-32 x 1/2")	1	2
10			Screw, Hex Head (1/4-20 x 1-1/8")	1	2
11			Half Clamp, Non-Threaded Holes	1	1
12			Half Clamp, Threaded Holes	1	1
17	E	1077520	Kit, 4-Way Switch Quad Link Mounting Hardware	1	1
7			Screw, Phillips Pan Head (#10-32 x 1/2")	1	2
8			Bracket, Quad Link Mounting	1	1
9			Washer (#10 Flat)	1	2
13			Locknut (#10-32)	1	2
14			Screw, Phillips Pan Head (#10-32 x 1-3/8")	1	2
17	G	1139418	Kit, 4-Way Switch Quad Link Mounting Hardware	1	1
13			Locknut (#10-32)	1	2
14			Screw, Phillips Pan Head w/Patch (#10-32 x 7/8")	1	2
15			Screw, Phillips Pan Head (#10-32 x 1/2")	1	2
16			Washer, Nylon (#10)	1	2
18		1134132	Bracket, 4-Way Switch Quad Link, Black - Right	1	1
18		1134133	Bracket, 4-Way Switch Quad Link, Black - Left	1	1
19		1080116	Switch, 4-Way (FWT)	1	1
20		1020818	Switch, Red Flex Ribbon (Tape) Reset	1	1
20	F	1123276	Kit, Switch, Black Egg Reset, with Hook/Loop Adhesive Back Fastener & Attaching Screws (EGSBLK)	1	1
21	A,A1,A 2,C	1081400	T.R.C.M. Upgrade Kit with Mercury Switches	1	1
	B	1080635	Harness, Recline/Tilt Mercury Switch	1	1
	B	1080634	Harness, Drive Lockout Mercury Switch	1	1
	B	0309019-NLA	Cover, Controller	1	1
	B	0152400	Cable Tie, Black (8" Long)	1	10
	B	0154500-NLA	Cable Tie, Black (4" Long)	1	10
	B	1081366-NLA	Instruction Sheet, MKIV T.R.C.M. Upgrade	1	1
	B	1043576	Manual, Service MKIV Electronics	1	1

T.R.C.M. Upgrade Kit with Mercury Switches

Tilt Only or Tilt/Recline and Recline Only

NOTE: A - To fully utilize the T.R.C.M. upgrade kit, it is required to have a MKIV controller part number (1105707) with 2.15 version software or higher. "Through the joystick operation" is not available for 2.0 through 2.14 version software.
A1 - Call technical service at 1-800-832-4707 for assistance on upgrading controller. Software version can be verified by using a remote programmer part number (1109091).
A2 - MKIV controller part numbers (1061958) and (1086240) were replaced with MKIV controller part number (1105707) and is applicable to use with all T.R.C.M. upgrade kits.
B - Not shown.
C - Include items 1-17 and all items below
D - Includes items 7-12
E - Before 4/07/06 and includes items 7-9, 13 and 14
F - After 5/23/04 the Egg Reset Switch became available as a service part and can be used as a direct replacement for the tape reset switch part # 1020818.
G - After 4/06/06. Includes items 13-16

MKIV Recliner Control (1815M4) and Recliner Cable (Basic Tilt and Tilt Only) or (Basic Recline 4XP)

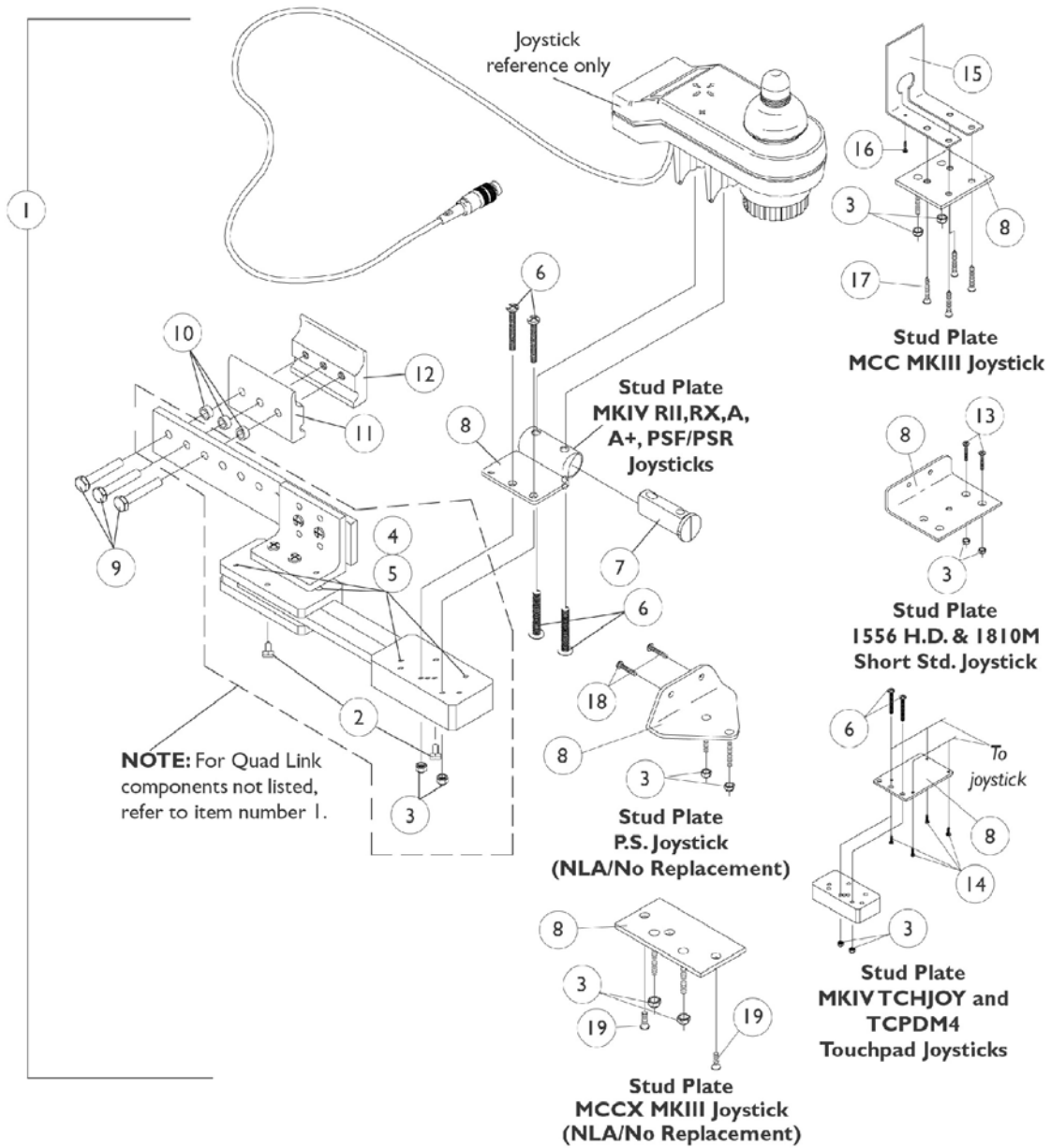


Item Number	Note	Part Number	Description	Quantity Per	
				Package	Assembly
1		1054376	Control, Recliner	1	1
2		1095501	Fastener, Dual Lock Hook and Loop Adhesive (2" W x 12" L)	1	1
	A	1005151	Cable, Recliner	1	1

NOTE: A - Not Shown

Quad Link Assembly

Before 4/07/06



Quad Link Assembly Before 4/07/06

Item Number	Note	Part Number	Description	Quantity Per	
				Package	Assembly
1	A	1027222	Kit, Quad Link Assembly - Right For MCC MKIII	1	1
2			Ball Plunger with Lock Washer Assembly	2	1
3			Locknut (#10-32)	1	2
4			Screw, Socket Head (#10-32 x 1/2")	1	4
5			Bushing, Bronze (3/16 x 1/4 x 1/4")	1	4
8			Stud Plate, Quad Link MCC MKIII	1	1
9			Screw, Hex Head (1/4-20 x 1-1/2")	1	3
10			Spacer (1/4 x 3/8 x 3/16")	1	3
11			Half Clamp, Non-Threaded Holes	1	1
12			Half Clamp, Threaded Holes	1	1
15			Cover Plate, MCC MKIII Joystick	1	1
16			Screw, Phillips Head (#4 x 3/8")	1	1
17			Screw, Phillips Flat Head (#6 x 5/8")	1	4
1	B	1052402	Kit, Quad Link Assembly - Right	1	1
2			Ball Plunger with Lock Washer Assembly	2	1
3			Locknut (#10-32)	1	2
4			Screw, Socket Head (#10-32 x 1/2")	1	4
5			Bushing, Bronze (3/16 x 1/4 x 1/4")	1	4
6			Screw, Phillips Pan Head (#10-32 x 1-1/8")	1	4
7			Spacer, Joystick Tube	1	1
8			Stud Plate, Quad Link	1	1
9			Screw, Hex Head (1/4-20 x 1-1/2")	1	3
10			Spacer (1/4 x 3/8 x 3/16")	1	3
11			Half Clamp, Non-Threaded Holes	1	1
12			Half Clamp, Threaded Holes	1	1
1	B	1115372	Kit, Quad Link Assembly - Left	1	1
2			Ball Plunger with Lock Washer Assembly	2	1
3			Locknut (#10-32)	1	2
4			Screw, Socket Head (#10-32 x 1/2")	1	4
5			Bushing, Bronze (3/16 x 1/4 x 1/4")	1	4
6			Screw, Phillips Pan Head (#10-32 x 1-1/8")	1	4
7			Spacer, Joystick Tube	1	1
8			Stud Plate, Quad Link	1	1
9			Screw, Hex Head (1/4-20 x 1-1/2")	1	3
10			Spacer (1/4 x 3/8 x 3/16")	1	3
11			Half Clamp, Non-Threaded Holes	1	1
12			Half Clamp, Threaded Holes	1	1
1	C,G	1034703-NLA	Kit, Quad Link Assembly - Right	1	1
2			Ball Plunger with Lock Washer Assembly	2	1
3			Locknut (#10-32)	1	2

Quad Link Assembly Before 4/07/06

Item Number	Note	Part Number	Description	Quantity Per	
				Package	Assembly
4			Screw, Socket Head (#10-32 x 1/2")	1	4
5			Bushing, Bronze (3/16 x 1/4 x 1/4")	1	4
8			Stud Plate, Quad Link For 1556 Heavy Duty Joystick	1	1
9			Screw, Hex Head (1/4-20 x 1-1/2")	1	3
10			Spacer (1/4 x 3/8 x 3/16")	1	3
11			Half Clamp, Non-Threaded Holes	1	1
12			Half Clamp, Threaded Holes	1	1
13			Screw, Phillips Flat Head Countersunk (#10-32 x 1-1/8")	1	2
1	C	1114866	Kit, Quad Link Assembly - Left	1	1
2			Ball Plunger with Lock Washer Assembly	2	1
3			Locknut (#10-32)	1	2
4			Screw, Socket Head (#10-32 x 1/2")	1	4
5			Bushing, Bronze (3/16 x 1/4 x 1/4")	1	4
8			Stud Plate, Quad Link For 1556 Heavy Duty Joystick	1	1
9			Screw, Hex Head (1/4-20 x 1-1/2")	1	3
10			Spacer (1/4 x 3/8 x 3/16")	1	3
11			Half Clamp, Non-Threaded Holes	1	1
12			Half Clamp, Threaded Holes	1	1
13			Screw, Phillips Flat Head Countersunk (#10-32 x 1-1/8")	1	2
1	D	1102027	Kit, Quad Link Assembly - Right For TCHJOY/TCPDM4 Touchpad	1	1
2			Ball Plunger with Lock Washer Assembly	2	1
3			Locknut (#10-32)	1	2
4			Screw, Socket Head (#10-32 x 1/2")	1	4
5			Bushing, Bronze (3/16 x 1/4 x 1/4")	1	4
6			Screw, Phillips Pan Head (#10-32 x 1-1/8")	1	2
8			Stud Plate, Quad Link MKIV TCHJOY/TCPDM4	1	1
9			Screw, Hex Head (1/4-20 x 1-1/2")	1	3
10			Spacer (1/4 x 3/8 x 3/16")	1	3
11			Half Clamp, Non-Threaded Holes	1	1
12			Half Clamp, Threaded Holes	1	1
14			Screw, Phillips Flat Head Countersunk (#4-40 x 3/8")	1	4
1	E	1106191-NLA	Kit, Quad Link Assembly - Right For PS joystick	1	1
2			Ball Plunger with Lock Washer Assembly	2	1
3			Locknut (#10-32)	1	2
4			Screw, Socket Head (#10-32 x 1/2")	1	4
5			Bushing, Bronze (3/16 x 1/4 x 1/4")	1	4

Quad Link Assembly Before 4/07/06

Item Number	Note	Part Number	Description	Quantity Per	
				Package	Assembly
8			Stud Plate, Quad Link	1	1
			P.S. Joystick		
9			Screw, Hex Head (1/4-20 x 1-1/2")	1	3
10			Spacer (1/4 x 3/8 x 3/16")	1	3
11			Half Clamp, Non-Threaded Holes	1	1
12			Half Clamp, Threaded Holes	1	1
18			Screw, Phillips Pan Head (#10-32 x 3/4")	1	2
1	F	1077298-NLA	Kit, Quad Link Assembly - Right For MCCX MKIII	1	1
2			Ball Plunger with Lock Washer Assembly	2	1
3			Locknut (#10-32)	1	2
4			Screw, Socket Head (#10-32 x 1/2")	1	4
5			Bushing, Bronze (3/16 x 1/4 x 1/4")	1	4
8			Stud Plate, Quad Link	1	1
9			Screw, Hex Head (1/4-20 x 1-1/2")	1	3
10			Spacer (1/4 x 3/8 x 3/16")	1	3
11			Half Clamp, Non-Threaded Holes	1	1
12			Half Clamp, Threaded Holes	1	1
19			Screw, Phillips Flat Head Countersunk (#10-32 x 1-1/8")	1	2
2		1114863	Ball Plunger with Lock Washer Assembly	2	1
<p>NOTE: A - Includes the Quad Link, items 2-5, 8-12, 15-17 and used with a MCC MKIII. For left side mounted Quad Link, order as a special.</p> <p>B - Includes the Quad Link, items 2-12 and used with MKIV RII, RX, A, A+, PSF/PSR joysticks.</p> <p>C - Includes the Quad Link, items 2-5, 8-13 and used with a 1810 STD. and 1556 Heavy Duty joystick.</p> <p>D - Includes the Quad Link, items 2-6, 8-12, 14 and used with MKIV TCHJOY/TCPDM4 joysticks. For left side mounted Quad Link, order as a special.</p> <p>E - Includes the Quad Link, items 2-5, 8-12, 18 and used with a PS joystick.</p> <p>F - Includes the Quad Link, items 2-5, 8-12, 19 and used with a MCCX MKIII joystick.</p> <p>G - Quad Link Assembly is no longer available. Please see Quad Link Assembly (After 4/06/06) category and use new Quad Link design as a replacement.</p>					

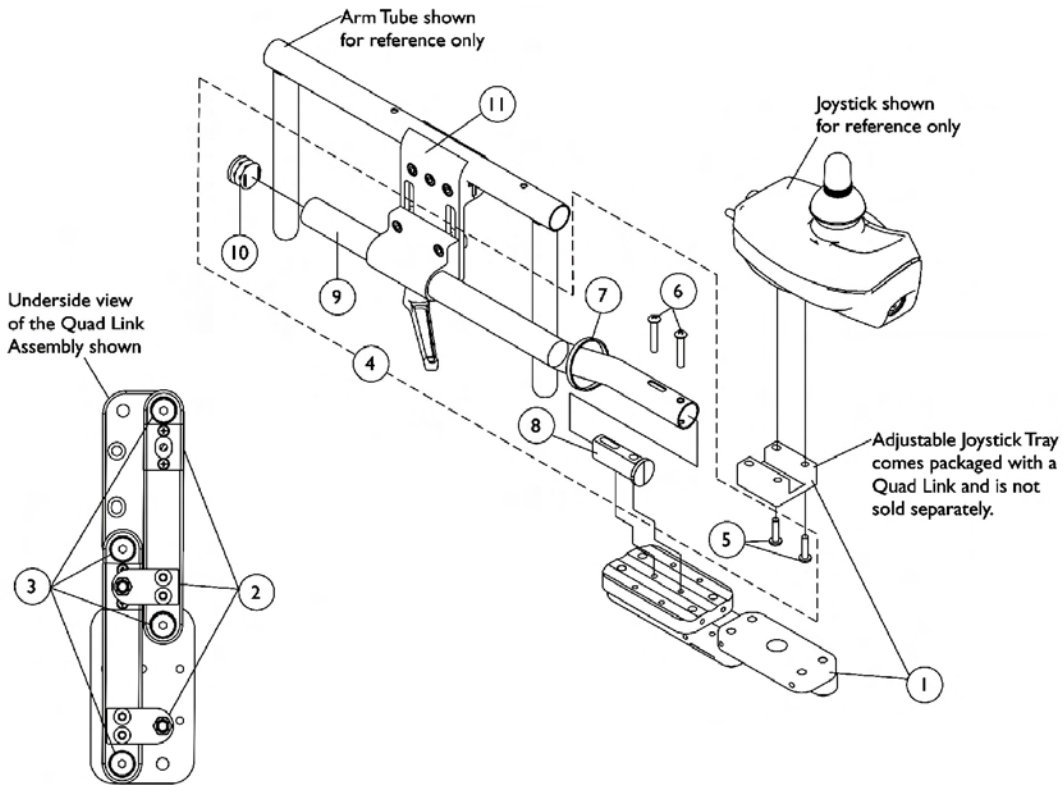
Quad Link (QLA)

After 4/06/06

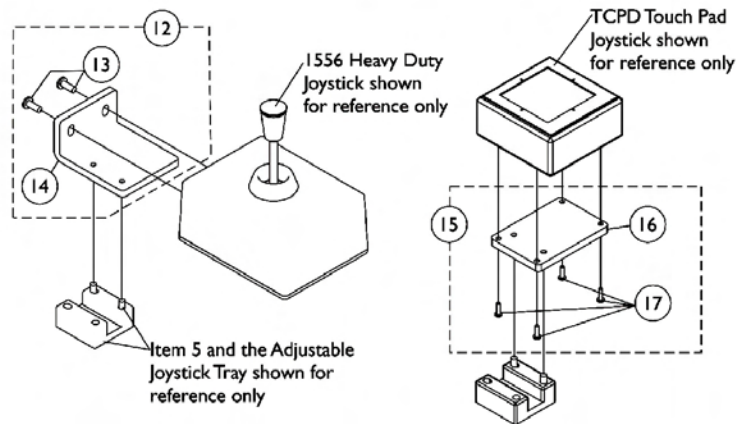
When converting an old style Quad Link that attaches to a mounting plate or (a Flex Tube or Touch Pad joystick tube) is currently on the chair then order the following:

Quad Link Mtg. Hdw. (item 4), Quad Link (item 1) & Ht. Adj. Joystick Tube Clamp (item 11)

NOTE: Substitute (item 4) with 2 ea. of the PPH Screws (item 5) when an offset joystick tube is currently on the chair. Additional Joystick Mtg. Hdw. must be ordered when a 1556 Heavy Duty, 1810M Joystick and TCPD Touch Pad are used.



Screw Fastener and Quad Link Latch Hardware



Quad Link (QLA) After 4/06/06

When converting an old style Quad Link that attaches to a mounting plate or (a Flex Tube or Touch Pad joystick tube) is currently on the chair then order the following:

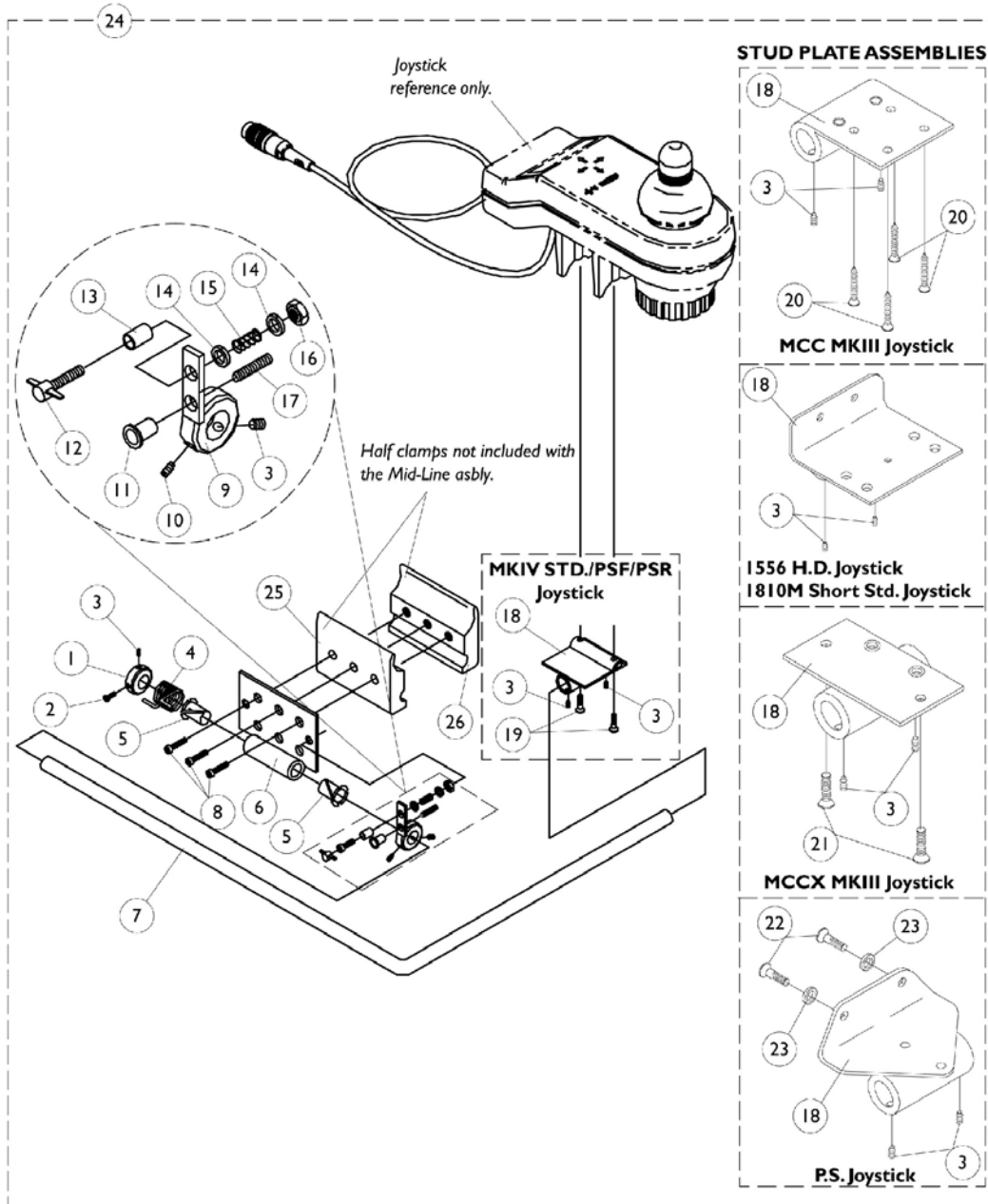
Quad Link Mtg. Hdwr. (item 4), Quad Link (item 1) & Ht. Adj. Joystick Tube Clamp (item 11)

NOTE: Substitute (item 4) with 2 ea. of the PPH Screws (item 5) when an offset joystick tube is currently on the chair. Additional Joystick Mtg. Hdwr. must be ordered when a 1556 Heavy Duty, 1810M Joystick and TCPD Touch Pad are used.

Item Number	Note	Part Number	Description	Quantity Per	
				Package	Assembly
1	H,H1	1140896	Quad Link with Adjustable Joystick Tray (QLA) and Instruction Sheet - Right	1	1
1	H,H1	1140897	Quad Link with Adjustable Joystick Tray (QLA) and Instruction Sheet - Left	1	1
2	A	1140425	Kit, Quad Link Latch Hardware	1	1
3	B	1140424	Kit, Quad Link Screw Fastener Hardware	1	1
4	C,C1	1139416	Kit, ASBA/ADJASBA Quad Link Mounting Hardware	1	1
5			Screw, Phillips Pan Head w/ Patch (10-32 x 3/4")	1	2
6			Screw, Phillips Pan Head (#10-32 x 1-1/8")	1	2
7			Cable Tie (11-1/2" Long)	1	1
8			Spacer, Joystick Tube	1	1
9			Tube, Joystick 1/2" Offset	1	1
10			Plug Button, Black (7/8")	1	1
5		1105414	Screw, Phillips Pan Head w/ Patch (10-32 x 3/4")	1	2
11	G	1139422	Clamp, Height Adjustable Joystick Tube (ARM250)	1	1
12	D	1139925-NLA	Kit, 1556 Heavy Duty Joystick To Quad Link Mounting Hardware	1	1
13			Screw, Phillips Pan Head (#10-32 x 1/2")	1	2
14			Plate, 1556 HD Joystick Quad Link	1	1
15	E	1139683	Kit, TCPD Touch Pad To Quad Link Mounting Hardware	1	1
16			Plate, TCPD Touch Pad Quad Link	1	1
17			Screw, Phillips Pan Head (#4-40 x 3/8")	1	4
	F	1134844	Instruction Sheet, Quad Link	1	1

NOTE: A - Latch Kit includes 4 ea. Button Head Cap Screws (10-32 x 3/8"), 2 ea. Latch Spring Assembly, 4 ea. Phillips Flat C'Sunk Head Screws, 2 ea. Spring Catch Plates, 2 ea. Socket Head Set Screws (10-32 x 3/8")
 B - Screw Fastener Kit includes 4 ea. Socket Head Shoulder Screws (3/8 x 3/8"), 2 ea. Socket Head Cap Screws (1/4-20 x 3/8"), 2 ea. Socket Head Set Screws (1/4-20 x 1/2"), 4 ea. Socket Head Set Screws (10-32 x 1/8")
 C - Includes items 5-10. The Quad Link Mounting Hardware accommodates MKIV RII, RX, A, A+, PSF/PSR joysticks.
 C1 - When ordering the Quad Link for the first time, Additional hardware is required for 1556 Heavy Duty and TCPD Touch Pad joysticks. See pictorial for reference.
 D - Includes items 13 and 14. Can be used with an 1810M Std. Joystick also
 E - Includes items 16 and 17
 F - Not Shown
 G - Individual components are non-saleable
 H - The 4-Way Switch Mounting Plate has changed and may be required when converting a Quad Link assembled to a mounting plate over to a Quad Link introduced after 4/06/06.
 H1 - When a Single Function Toggle Switch (SFT) is used, the (SFT) switch mounting hardware for a Joystick Tube will need to be ordered

Midline Assembly

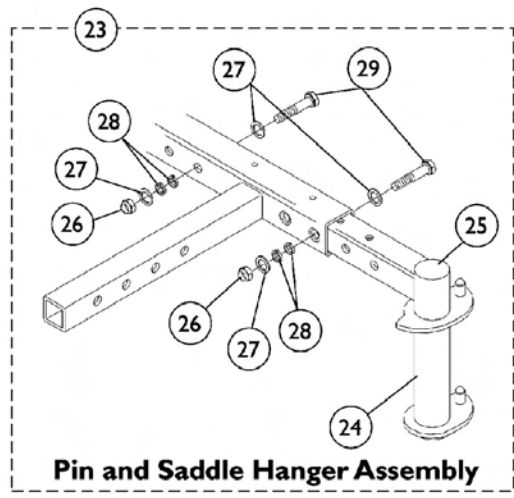
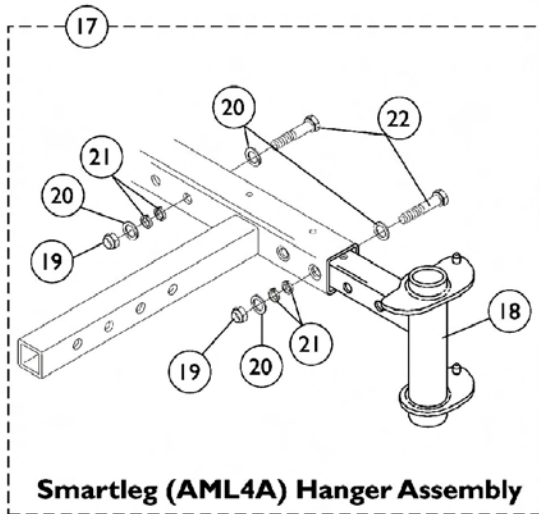
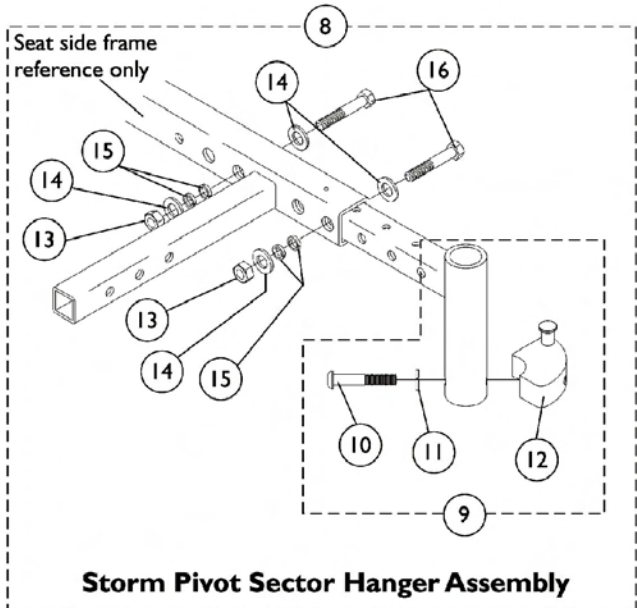
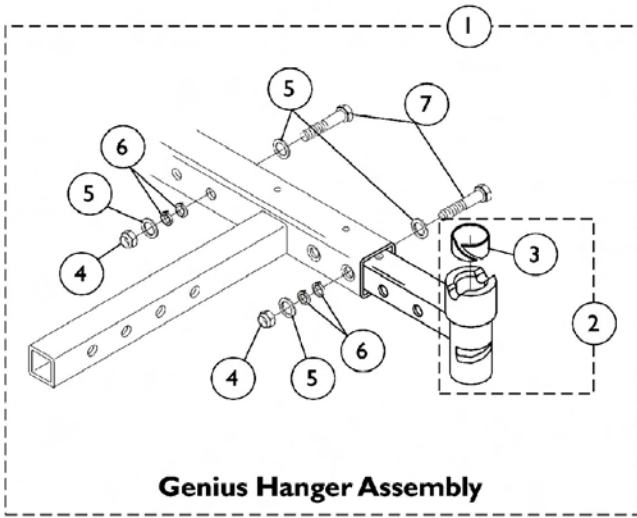


Midline Assembly

Item Number	Note	Part Number	Description	Quantity Per	
				Package	Assembly
1		0063100-NLA	Collar, 2 Holes	1	1
2		0223506	Screw, Socket Head (1/4-20 x 1/2")	1	1
3		1077307-NLA	Screw, Set (1/4-20 x 1/4")	1	4
4		0063000-NLA	Spring, Assist	1	1
5		1077306-NLA	Bearing, Nylon (1/2")	1	2
6		0063402-NLA	Plate, Mounting	1	1
7		0191001-NLA	Bar, Mounting	1	1
8		7930304	Screw, Socket Head (1/4-20 x 1-1/4")	25	3
9		0063202-NLA	Weldment, Collar	1	1
10		1077308-NLA	Screw, Set (1/4-20 x 1/2")	1	1
11		0053200	Rivnut (1/4-20 x 11/16")	1	1
12		1077321-NLA	Knob, Tee (1/4-20 x 1-3/4")	1	1
13		0267606-NLA	Spacer (17/64 x 21/64 x 1/2")	1	1
14		0050100	Washer, Nylon Flat (1/4 x 1/2 x 1/16")	1	2
15		0064600-NLA	Spring, Compression	1	1
16		7930333	Locknut (1/4-20)	25	1
17		1077309-NLA	Screw, Set (1/4-20 x 1")	1	1
18		0312524-NLA	Plate, Mounting, MKIV Std/ PSF/ PSR Joystick	1	1
18		1077310	Plate, Mounting, MCC MKIII Std. Joystick	1	1
18		1077311-NLA	Plate, Mounting, 1556 H.D. / 1810M Short Std. Joystick	1	1
18		1077312-NLA	Plate, Mounting MCCX MKIII Joysticks	1	1
18		0314602-NLA	Plate, Mounting, P.S. Joysticks	1	1
19		1077249	Screw, Socket Head (#10-32 x 3/4")	1	2
20		0068000	Screw, Phillips Flat Head (#6 x 5/8")	1	4
21		0106600-NLA	Screw Phillips Flat Head (#8-32 x 1/2")	1	2
22		0067506	Screw, Phillips Pan Head (#10-32 x 3/4")	1	2
23		0224806-NLA	Washer (#10)	1	2
24		1077313-NLA	Mid-Line Assembly (Less Half Clamps), MKIV Std./ PSF/ PSR Joystick	1	1
24		1077314-NLA	Mid-Line Assembly (Less Half Clamps) MCC MKIII Std.Joystick	1	1
24		1077315-NLA	Mid-Line Assembly (Less Half Clamps), 1556 Heavy Duty/ 1810M Short Std. Joystick	1	1
24		1077316	Mid-Line Assembly (Less Half Clamps) MCCX MKIII Joystick	1	1
24		1077317-NLA	Mid-Line Assembly (Less Half Clamps) P.S. Joystick	1	1
25		1027266	Half Clamp, Non-Threaded Holes	1	1
26		1027267	Half Clamp, Threaded Holes	1	1

Front Rigging Hanger Assembly

Sector, Genius, Pin, AML4A Style



Front Rigging Hanger Assembly Sector, Genius, Pin, AML4A Style

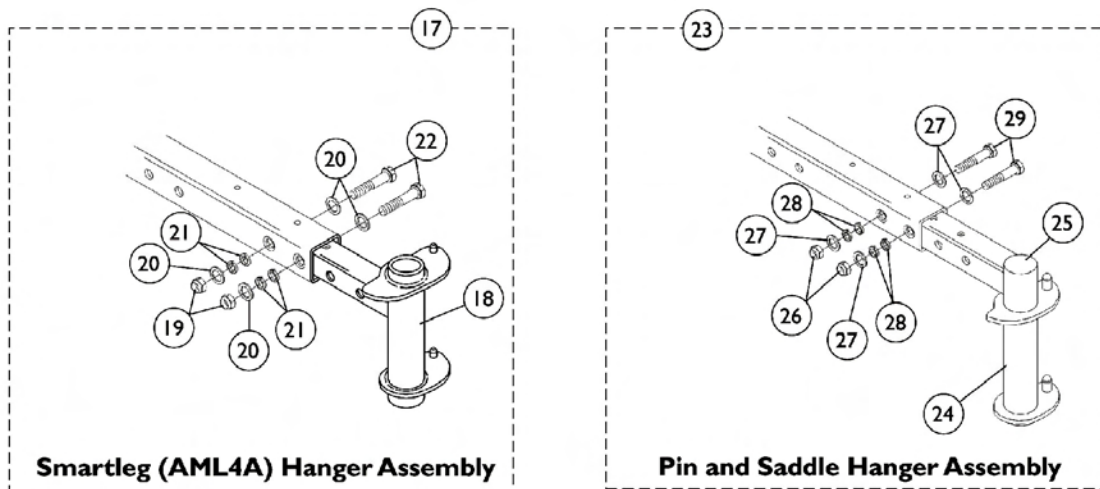
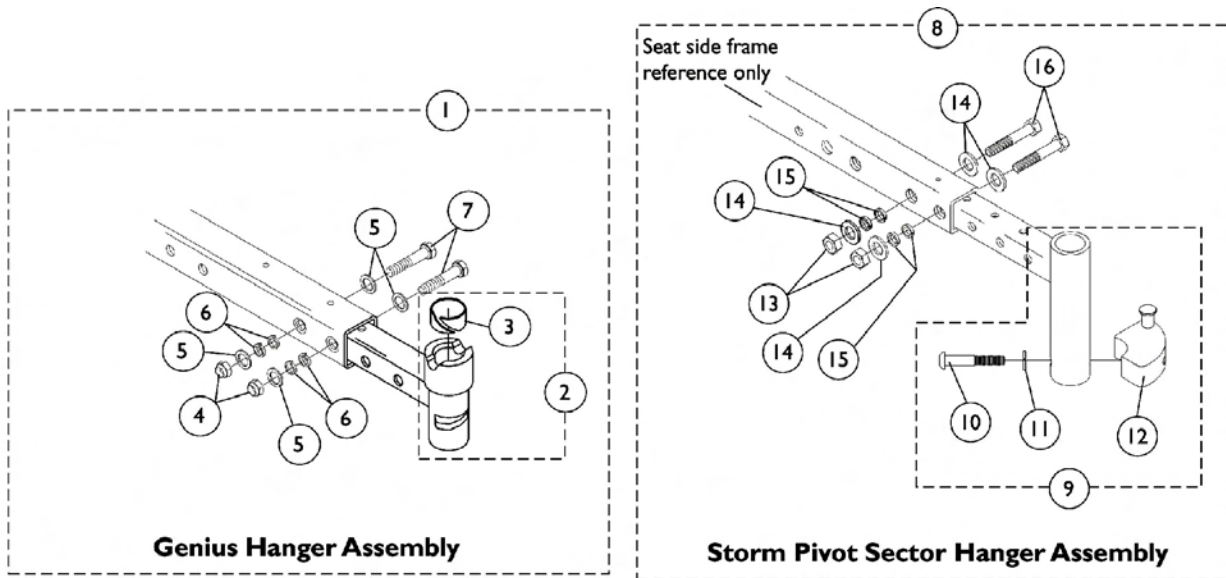
Item Number	Note	Part Number	Description	Quantity Per	
				Package	Assembly
1	A	1072925	Front Rigging Hanger Assembly with Hardware, Genius - Right	1	1
1	A	1072924	Front Rigging Hanger Assembly with Hardware, Genius - Left	1	1
1	A	1072926	Front Rigging Hanger Assembly w/ Hardware (Pair) Genius	2	1
2	B	1072923	Front Rigging Hanger Assembly Genius w/ Nylon Liner - Right	1	1
2	B	1072922	Front Rigging Hanger Assembly Genius w/ Nylon Liner - Left	1	1
3		0181000	Liner, Nylon (3/4")	1	1
4		1025736	Locknut (1/4-20)	1	2
5		0050406	Washer, Flat (1/4 x 5/8 x 1/16")	1	4
6		0050506	Lockwasher, High Collar, Split (1/4")	1	4
7		1024793	Screw, Hex Head (1/4-20 x 1-3/4")	1	2
8	C	1072724	Front Rigging Hanger Assembly w/ Hardware (Center Pivot) Storm - Right	1	1
8	C	1072726	Front Rigging Hanger Assembly w/ Hardware (Center Pivot) Storm - Left	1	1
8	C	0197500	Front Rigging Hanger Assembly w/ Hardware (Pair) Storm	2	1
9	D	1072722	Front Rigging Hanger Assembly w/ Sector Block (Center Pivot) Storm - Right	1	1
9	D	1072723	Front Rigging Hanger Assembly w/ Sector Block (Center Pivot) Storm - Left	1	1
10		0139506	Screw, Socket Head (1/4-20 x 1-1/2")	1	1
11		1007453	Lockwasher, Split (1/4")	1	1
12		0117000	Sector Block - Right	1	1
12		0117100	Sector Block - Left	1	1
13		1025736	Locknut (1/4-20)	1	2
14		0050406	Washer, Flat (1/4 x 5/8 x 1/16")	1	4
15		0050506	Lockwasher, High Collar, Split (1/4")	1	4
16		1024793	Screw, Hex Head (1/4-20 x 1-3/4")	1	2
17	E	1072906	Front Rigging Hanger Assembly w/ Hardware, Smartleg (AML4A) Right	1	1
17	E	1072907	Front Rigging Hanger Assembly w/ Hardware, Smartleg (AML4A) Left	1	1
17	E	1072743	Front Rigging Hanger Assembly w/ Hardware (Pair) Smartleg (AML4A)	2	1
18		0117302	Front Rigging Hanger Assembly Smartleg (AML4A) Right	1	1
18		0117402	Front Rigging Hanger Assembly Smartleg (AML4A) Left	1	1
19		1025736	Locknut (1/4-20)	1	2
20		0050406	Washer, Flat (1/4 x 5/8 x 1/16")	1	4
21		0050506	Lockwasher, High Collar, Split (1/4")	1	4

Front Rigging Hanger Assembly Sector, Genius, Pin, AML4A Style

Item Number	Note	Part Number	Description	Quantity Per	
				Package	Assembly
22		1024793	Screw, Hex Head (1/4-20 x 1-3/4")	1	2
23	F	1081425	Front Rigging Hanger Assembly w/ Hardware (Pin and Saddle) Invacare - Right	1	1
23	F	1081426	Front Rigging Hanger Assembly w/ Hardware (Pin and Saddle) Invacare - Left	1	1
23	F	1081446	Front Rigging Hanger Assembly w/ Hardware (Pair) Invacare (Pin and Saddle)	2	1
24		1078020	Front Rigging Hanger Assembly (Pin and Saddle) Invacare - Right	1	1
24		1078021	Front Rigging Hanger Assembly (Pin and Saddle) Invacare - Left	1	1
25		1027097	Plug Button, Black (3/4")	1	1
26		1025736	Locknut (1/4-20)	1	2
27		0050406	Washer, Flat (1/4 x 5/8 x 1/16")	1	4
28		0050506	Lockwasher, High Collar, Split (1/4")	1	4
29		1024793	Screw, Hex Head (1/4-20 x 1-3/4")	1	2
NOTE: A - Includes front rigging hanger, items 2 and 4-7 B - Includes front rigging hanger and item 3 C - Includes front rigging hanger, items 9 and 13-16 D - Includes front rigging hanger and items 10-12 E - Includes items 18-22 F - Includes items 24-29					

Front Rigging Hanger Assembly

Sector, Genius, Pin, AML4A Style (Basic Recline 4XP)



Front Rigging Hanger Assembly

Sector, Genius, Pin, AML4A Style (Basic Recline 4XP)

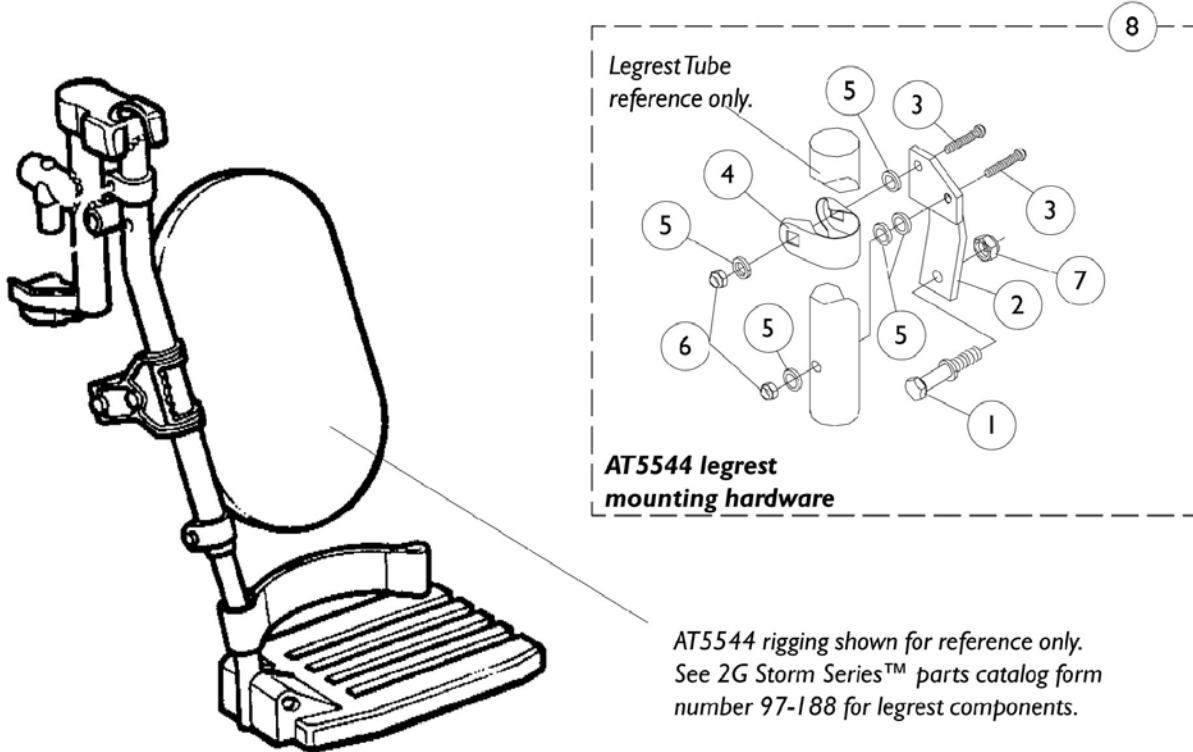
Item Number	Note	Part Number	Description	Quantity Per	
				Package	Assembly
1	A	1077393	Front Rigging Hanger Assembly with Hardware, Genius (4XP) Right	1	1
1	A	1077394	Front Rigging Hanger Assembly with Hardware, Genius (4XP) Left	1	1
1	A	1077395	Front Rigging Hanger Assembly w/ Hardware (Pair) Genius	2	1
2	B	1072923	Front Rigging Hanger Assembly Genius w/ Nylon Liner - Right	1	1
2	B	1072922	Front Rigging Hanger Assembly Genius w/ Nylon Liner - Left	1	1
3		0181000	Liner, Nylon (3/4")	1	1
4		1025736	Locknut (1/4-20)	1	2
5		0050406	Washer, Flat (1/4 x 5/8 x 1/16")	1	4
6		0050506	Lockwasher, High Collar, Split (1/4")	1	4
7		1024793	Screw, Hex Head (1/4-20 x 1-3/4")	1	2
8	C	1077399	Front Rigging Hanger Assembly with Hardware, Storm (4XP) Right	1	1
8	C	1077400	Front Rigging Hanger Assembly with Hardware, Storm (4XP) Left	1	1
8	C	1077401	Front Rigging Hanger Assembly w/ Hardware (Pair) Storm	2	1
9	D	1072722	Front Rigging Hanger Assembly w/ Sector Block (Center Pivot) Storm - Right	1	1
9	D	1072723	Front Rigging Hanger Assembly w/ Sector Block (Center Pivot) Storm - Left	1	1
10		0139506	Screw, Socket Head (1/4-20 x 1-1/2")	1	1
11		1007453	Lockwasher, Split (1/4")	1	1
12		0117000	Sector Block - Right	1	1
12		0117100	Sector Block - Left	1	1
13		1025736	Locknut (1/4-20)	1	2
14		0050406	Washer, Flat (1/4 x 5/8 x 1/16")	1	4
15		0050506	Lockwasher, High Collar, Split (1/4")	1	4
16		1024793	Screw, Hex Head (1/4-20 x 1-3/4")	1	2
17	E	1072906	Front Rigging Hanger Assembly w/ Hardware, Smartleg (AML4A) Right	1	1
17	E	1072907	Front Rigging Hanger Assembly w/ Hardware, Smartleg (AML4A) Left	1	1
17	E	1077398	Front Rigging Hanger Assembly w/ Hardware (Pair) Smartleg (AML4A)	2	1
18		0117302	Front Rigging Hanger Assembly Smartleg (AML4A) Right	1	1
18		0117402	Front Rigging Hanger Assembly Smartleg (AML4A) Left	1	1
19		1025736	Locknut (1/4-20)	1	2
20		0050406	Washer, Flat (1/4 x 5/8 x 1/16")	1	4
21		0050506	Lockwasher, High Collar, Split (1/4")	1	4

Front Rigging Hanger Assembly Sector, Genius, Pin, AML4A Style (Basic Recline 4XP)

Item Number	Note	Part Number	Description	Quantity Per	
				Package	Assembly
22		1024793	Screw, Hex Head (1/4-20 x 1-3/4")	1	2
23	F	1081425	Front Rigging Hanger Assembly w/ Hardware (Pin and Saddle) Invacare - Right	1	1
23	F	1081426	Front Rigging Hanger Assembly w/ Hardware (Pin and Saddle) Invacare - Left	1	1
23	F	1081446	Front Rigging Hanger Assembly w/ Hardware (Pair) Invacare (Pin and Saddle)	2	1
24		1078020	Front Rigging Hanger Assembly (Pin and Saddle) Invacare - Right	1	1
24		1078021	Front Rigging Hanger Assembly (Pin and Saddle) Invacare - Left	1	1
25		1027097	Plug Button, Black (3/4")	1	1
26		1025736	Locknut (1/4-20)	1	2
27		0050406	Washer, Flat (1/4 x 5/8 x 1/16")	1	4
28		0050506	Lockwasher, High Collar, Split (1/4")	1	4
29		1024793	Screw, Hex Head (1/4-20 x 1-3/4")	1	2
NOTE: A - Includes front rigging hanger, items 2 and 4-7 B - Includes front rigging hanger and item 3 C - Includes front rigging hanger, items 9 and 13-16 D - Includes front rigging hanger and items 10-12 E - Includes items 18-22 F - Includes items 24-29					

AT5544 Legrest (Power)

Tilt Only or Tilt/Recline and Recline Only

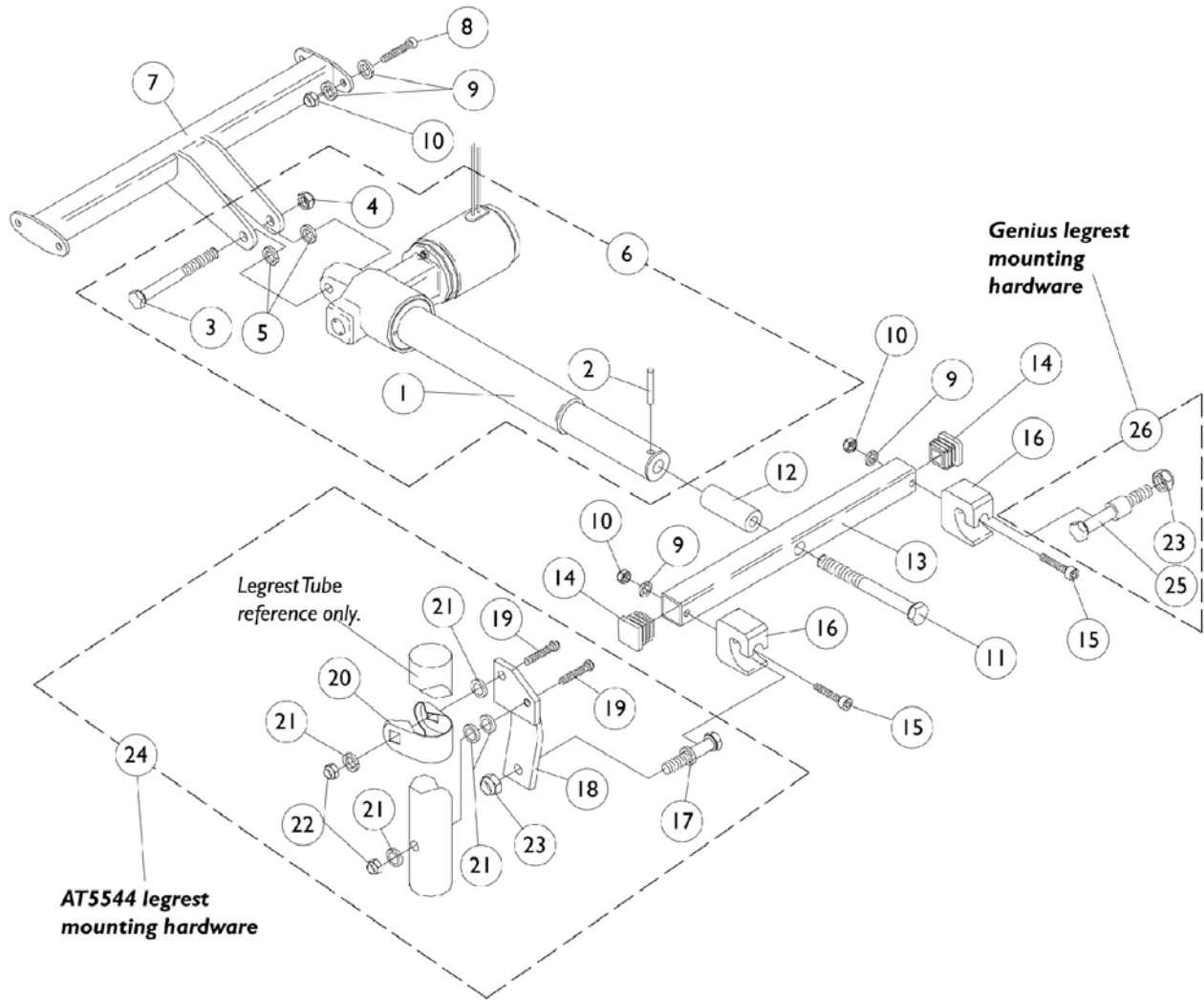


Item Number	Note	Part Number	Description	Quantity Per	
				Package	Assembly
1		0025306	Push Pin, AT5544	1	1
2		0025602	Push Bracket, Right	1	1
2		0025502	Push Bracket, Left	1	1
3		0055206	Screw, Socket Head (5/16-18 x 1-3/4")	1	2
4		0055900	U-Clamp (7/8")	1	1
5		0054806	Washer, Flat (5/16")	1	5
6		0054906	Locknut, High Profile (5/16-18)	1	2
7		0054106	Locknut, High Profile (3/8-16)	1	1
8	A	1077516	Legrest Mounting Hardware AT5554, Right	1	1
8	A	1077517	Legrest Mounting Hardware AT5554, Left	1	1

NOTE: A - Includes items 1-7

Power Elevating Legrest (4XP) Genius and AT5544 Basic Recline (4XP)

NOTE: Legrest components can be found on the "Genius Legrest" page for Genius and form number 97-188 2G Storm Series parts catalog for Invacare AT5544.



Power Elevating Legrest (4XP) Genius and AT5544 Basic Recline (4XP)

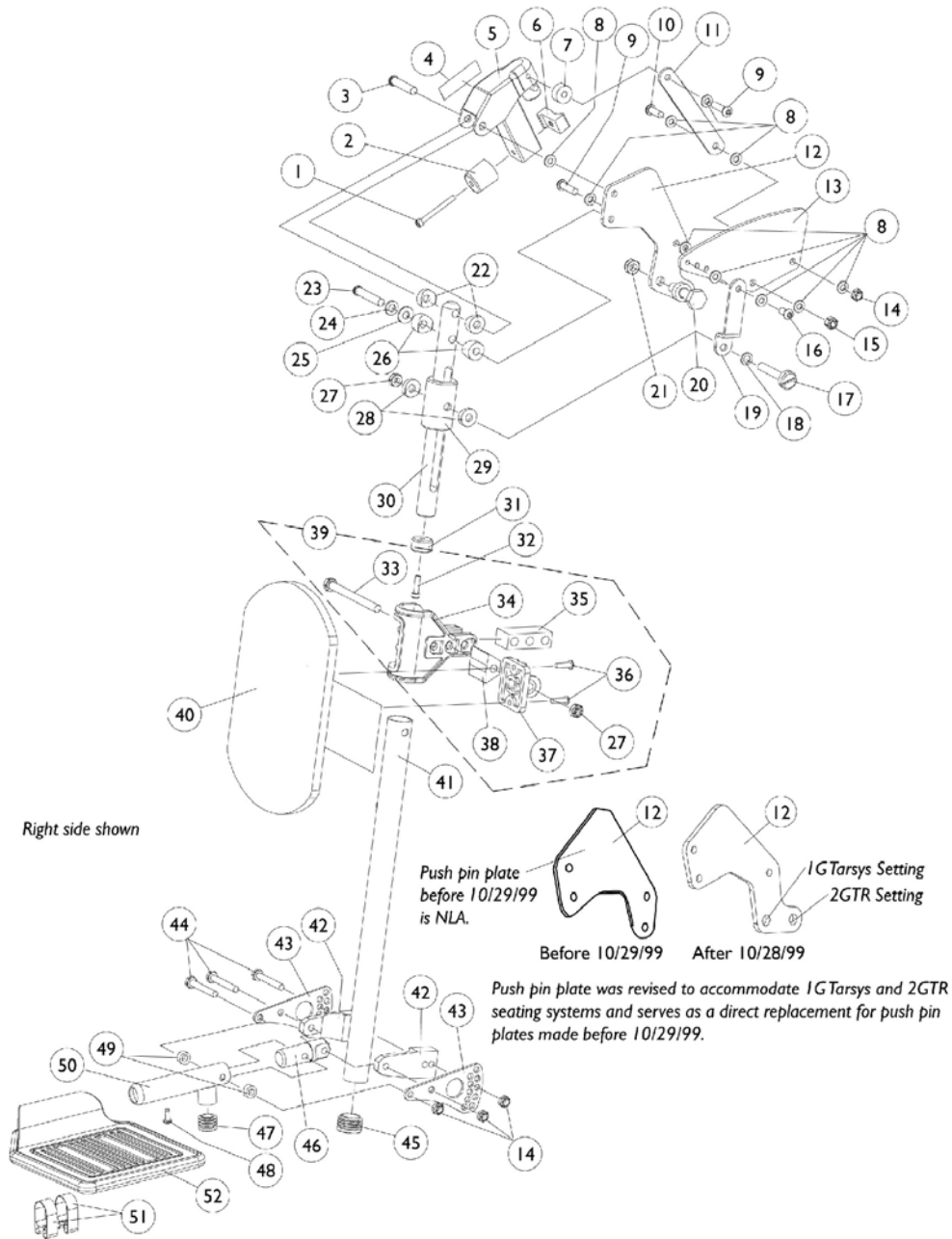
Item Number	Note	Part Number	Description	Quantity Per	
				Package	Assembly
1		0239000	Actuator, Power Leg 4" Stroke (4XP)	1	1
2		0053600	Roll Pin (1/8 x 1-1/8")	1	1
3		0054506	Screw, Hex Head (3/8-16 x 2-1/2")	1	1
4		0054106	Locknut, High Profile (3/8-16)	1	1
5		0053900	Washer, Nylon (3/8 x 13/16 x 1/16")	1	2
6		1077509	Actuator with Hardware, Power Leg 4" Stroke (4XP)	1	1
7		0236102	Rear Cross Brace, Power Leg (4XP) 16" Wide	1	1
7		0236202	Rear Cross Brace, Power Leg (4XP) 18" Wide	1	1
8		1024793	Screw, Hex Head (1/4-20 x 1-3/4")	1	4
9		0050406	Washer, Flat (1/4 x 5/8 x 1/16")	1	10
10		7930333	Locknut (1/4-20)	1	6
11	C	0238206	Screw, Hex Head (1/2-20 x 2") 16" Seat Depth	1	1
11	D	0238306	Screw, Hex Head (1/2-20 x 4") 18" Seat Depth	1	1
11	E	0238406	Screw, Hex Head (1/2-20 x 6") 20" Seat Depth	1	1
12	D	0235622	Actuator Extension, 2" (18" Seat Depth)	1	1
12	E	0235722	Actuator Extension, 4" (20" Seat Depth)	1	1
13		0235802	Push Bar, Power Leg (4XP) 16" Wide	1	1
13		0235902	Push Bar, Power Leg (4XP) 18" Wide	1	1
14		1071237	Plug Button, Square, Black (1")	1	2
15		0132206	Screw, Allen Head (1/4-20 x 1-3/4")	1	2
16		0026400	Receptacle, Power Legrest	1	2
17		0025306	Push Pin, AT5544	1	1
18		0236602	Push Bracket, Right	1	1
18		0236502	Push Bracket, Left	1	1
19		0055206	Screw, Socket Head (5/16-18 x 1-3/4")	1	4
20		0055900	U-Clamp (7/8")	1	2
21		0054806	Washer, Flat (5/16")	1	10
22		0054906	Locknut, High Profile (5/16-18)	1	4
23		0054106	Locknut, High Profile (3/8-16)	1	2
24	A	1084181	Legrest Mounting Hardware, AT5544, Right	1	1
24	A	1084182	Legrest Mounting Hardware, AT5544, Left	1	1
25		0203906	Push Pin, Inside Mount (Genius)	1	2
26	B	1077518	Legrest Mounting Hardware (Genius)	1	2

NOTE: A - Includes items 17-23
B - Includes items 23, 25
C - 16" Seat Depth
D - 18" Seat Depth
E - 20" Seat Depth

Genius Legrest

(Tilt Only) or (Basic Recline 4XP) or (Tilt/Recline and Recline Only)

NOTE: Mechanical elevation for Basic recline 4XP. Power elevation for Tilt Only and (Tilt/Recline, Recline Only).



Genius Legrest

(Tilt Only) or (Basic Recline 4XP) or (Tilt/Recline and Recline Only)

NOTE: Mechanical elevation for Basic recline 4XP. Power elevation for Tilt Only and (Tilt/Recline, Recline Only).

Genius Legrest Assembly

Description	Standard Footplate	X-Large Footplate	Standard Footplate	X-Large Footplate
Legrest Tube	18" Long	18" Long	20" Long	20" Long
Width Range	16"-24"	16"-24"	16"-24"	16"-24"
Right Assembly	0196600	1072595	0264000	1072597
Left Assembly	0196500	1072594	0263900	1072596
Pair	0138100	1072904	0263800	1072905

Genius Legrest

(Tilt Only) or (Basic Recline 4XP) or (Tilt/Recline and Recline Only)

NOTE: Mechanical elevation for Basic recline 4XP. Power elevation for Tilt Only and (Tilt/Recline, Recline Only).

Item Number	Note	Part Number	Description	Quantity Per	
				Package	Assembly
1		1023966	Screw, Socket Head (#10-32 x 1-3/4")	1	1
2		0060000	Rubber Bumper	1	1
3		0140406	Screw, Socket Head Cap (5/16-18 x 1-1/2)	1	1
4		0061400	Decal, Warning Label Tie Down	1	1
5		0289824	Legrest Hanger Receptical w/ Dowel Pin	1	1
6		1096649	Guide Square w/ Brass Barb Insert	1	1
7		0176700	Bushing, Coved Latch Legrest Genius	1	1
8		0050100	Washer, Nylon Flat (1/4 x 1/2 x 1/16")	1	1
9		0051606	Screw, Socket Head Cap (1/4-20 x 1")	1	10
10		0052906	Screw, Socket Button Head (1/4-20 x 3/4")	1	2
11		0177802	Link, Rear	1	3
12		1086987	Plate, Push Pin	1	1
13		0179202	Link Plate	1	1
14		7930323	Package, Locknut (1/4-20)	1	1
15		7930333	Locknut (1/4-20)	25	4
16		0223506	Screw, Socket Head (1/4-20 x 1/2")	25	1
17		0180506	Screw, Support Bushing	1	1
18		0054700	Washer, Nylon (5/16 x 1/2 x 1/16")	1	2
19		0177702	Link, Front	1	1
20		0182406	Push Pin	1	1
21		1028486	Locknut, Low Profile (3/8-16)	1	1
22		0175600	Spacer, Coved (5/16 x 3/4 x 3/8")	1	2
23		0055206	Screw, Socket Head (5/16-18 x 1-3/4")	1	1
24		1072692	Lockwasher, Split (5/16")	1	1
25		1025704	Washer, Flat (5/16 x 5/8 x 1/16")	1	1
26		0176422	Spacer, Coved	1	2
27		0055006	Locknut, Low Profile (5/16-18)	1	2
28		0176200	Bushing, Nylon Guide	1	2
29		0177100	Bushing, Legrest Support	1	1
30		0178224	Bar, Insert, Black	1	1
31		0175800	Bushing, Guide	1	1
32		0224600	Screw, Socket Head Cap (#10-32 x 3/4")	1	1
33	A	1105474	Screw, Hex Head (5/16-18 x 3-1/2)	1	1
34	A	1068159	Clamp, Calf Pad	1	1
35	A	1068160	Block, Legrest Pad Mount	1	1
36	A	1025716	Screw, Phillips Pan Head (#10-32 x 11/16")	1	2
37	A	04526X019	Plate, Legrest Pad	1	1
38	A	1068161	Block, Mounting	1	1
39	B	1109613	Hardware, Calf Pad	1	1
40	A	8881091811	Calf Pad (Left or Right)	1	1
41		0238124	Tube, Legrest 18"	1	1

Genius Legrest

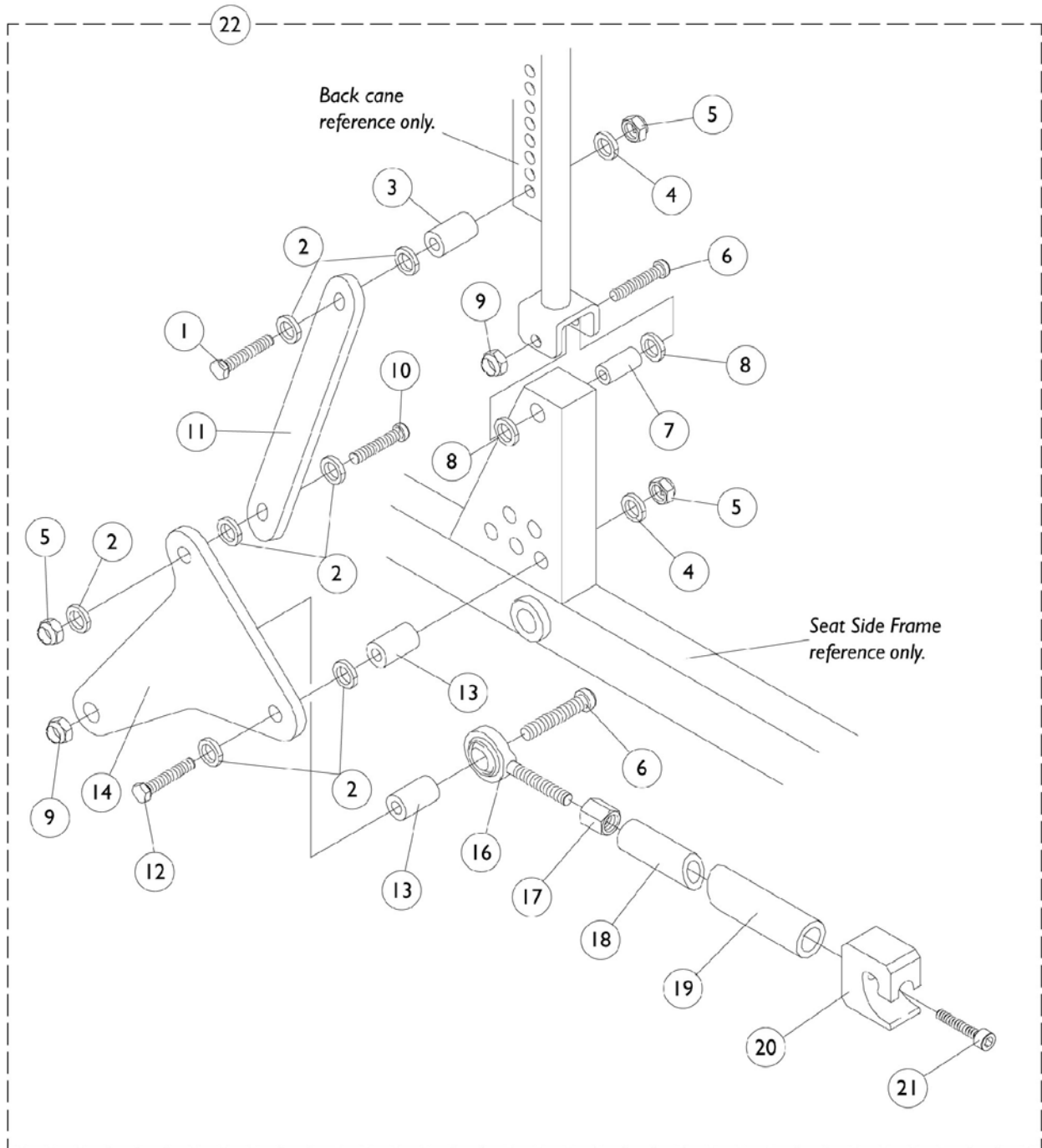
(Tilt Only) or (Basic Recline 4XP) or (Tilt/Recline and Recline Only)

NOTE: Mechanical elevation for Basic recline 4XP. Power elevation for Tilt Only and (Tilt/Recline, Recline Only).

Item Number	Note	Part Number	Description	Quantity Per	
				Package	Assembly
41		0232424	Tube, Legrest 20"	1	1
42		0177022	Half Clamp	1	2
43		0177602	Plate, Adjustment	1	2
44		1024793	Screw, Hex Head (1/4-20 x 1-3/4")	1	3
45		1096664	Plug Button, Black (1")	1	1
46		0177222	Pivot, Footplate	1	1
47		1027097	Plug Button, Black (3/4")	1	1
48		0194906	Screw, Phillips Pan Head Tap (#8 x 1/2")	1	1
49	C	0176022	Spacer	1	2
49	D	0186000	Spacer, Wheel	1	2
50	C	0179824	Tube, Footplate	1	1
50	D	0288824	Tube, Footplate	1	1
51	C	1036120	Spring	1	2
51	D	1036123	Spring, Leaf	1	2
52	C	1043659	Footplate, Aluminum - Deluxe (8" W x 5-3/4" L) - Right	1	1
52	C	1043660	Footplate, Aluminum - Deluxe (8" W x 5-3/4" L) - Left	1	1
52	D,E	44200X025	Footplate, Aluminum - Extra Large (8" W x 8-1/2" L) - Right	1	1
52	D,E	44200X026	Footplate, Aluminum - Extra Large (8" W x 8-1/2" L) - Left	1	1
	F	See Chart	Genius Legrest	1	1

NOTE: A - Items 39 and 40 must be ordered together in pairs for Genius Legrest manufactured before 11/20/01.
 B - Includes items 27 and 33-38 (Per Side)
 C - Standard Footplate with Rubber Edge
 D - X-Large Footplates
 E - Black Wrinkle Coat
 F - Not Shown

Mechanical Legrest Actuator Linkage Without M.S.R. Basic Recline (4XP)

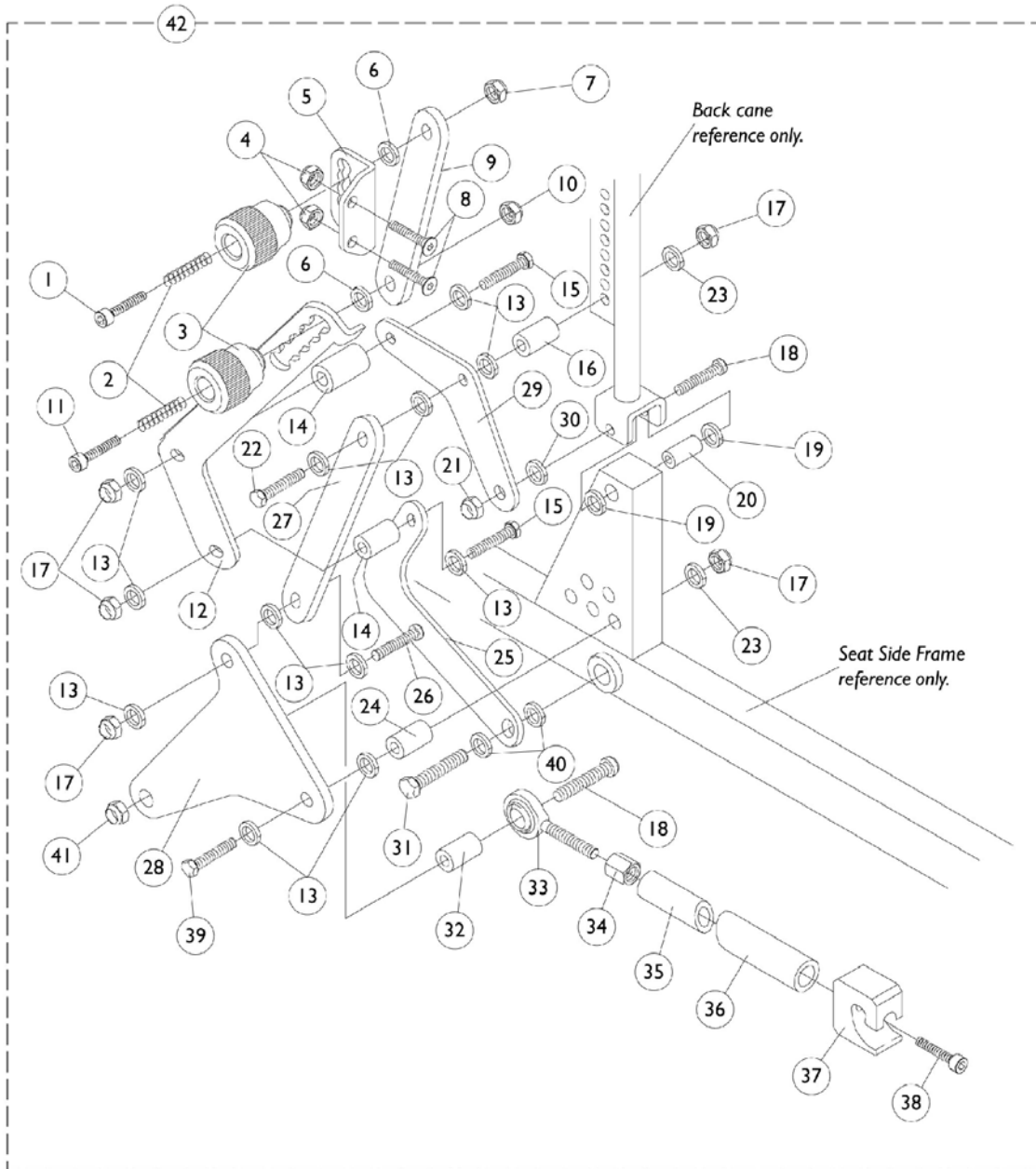


Mechanical Legrest Actuator Linkage Without M.S.R. Basic Recline (4XP)

Item Number	Note	Part Number	Description	Quantity Per	
				Package	Assembly
1		1024793	Screw, Hex Head (1/4-20 x 1-3/4")	1	1
2		0050100	Washer, Nylon Flat (1/4 x 1/2 x 1/16")	1	7
3		0233222	Spacer, Plastic	1	1
4		0050406	Washer, Flat (1/4 x 5/8 x 1/16")	1	2
5		7930333	Locknut (1/4-20)	25	3
6		0055506	Screw, Socket Head (5/16-18 x 2")	1	2
7		0060300	Bushing, Bronze (5/16 x 7/16 x 1-1/4")	1	1
8		0055800	Washer, Nylon (7/16 x 3/4 x 3/32")	1	2
9		0054906	Locknut, High Profile (5/16-18)	1	2
10		0051606	Screw, Socket Head Cap (1/4-20 x 1")	1	1
11		0217324	Link, Small	1	1
12		0233506	Screw, Hex Head Full Thread (1/4-20 x 2-1/2")	1	1
13		0217024	Bushing, Back Post/Leg Link	1	1
14		0217124	Link, Back Post Leg	1	1
15		0220924	Spacer, Rod End	1	1
16		0083800	Rod End, Male (5/16-24)	1	1
17		0141405	Nut, Hex (5/16-24)	1	1
18	B	0035902	Pushrod, Rear Tube (Short 12-1/2")	1	1
18	C	0222502	Pushrod, Rear Tube (Long 14")	1	1
19	D	0035702	Pushrod, Front Tube (AT5544 Legrest)	1	1
19	E	0036402	Pushrod, Front Tube (Genius Legrest)	1	1
20		0026400	Receptacle, Power Legrest	1	1
21		0053306	Screw, Allen Head (1/4-28 x 1")	1	1
22	A	1077510	Mechanical Legrest Hardware Assembly	1	2

NOTE: A - Less items 18, 19
 B - Short 12-1/2"
 C - Long 14"
 D - AT5544 Legrest
 E - Genius Legrest

Mechanical Legrest Actuator Linkage With M.S.R. Basic Recline 4XP



Mechanical Legrest Actuator Linkage With M.S.R. Basic Recline 4XP

Item Number	Note	Part Number	Description	Quantity Per	
				Package	Assembly
1		0258406	Screw, Socket Head (#10-32 x 1-1/4")	1	1
2		0146500	Spring, Compression (1/32 WT x 15/16" L)	1	2
3		0146622	Knob, MSR Adjustment	1	2
4		7930323	Package, Locknut (1/4-20)	25	2
5		0149624	Bracket, MSR Back Pan	1	1
6		0146700	Washer, Nylon (3/16 x 5/8 x 1/16")	1	2
7		7930332	Locknut, High Profile (#10-32)	25	1
8		0195606	Screw, Socket Head (1/4-20 x 3/4")	1	2
9		0148806	Link Upper Adjustment	1	1
10		317601	Locknut, Low Profile (#10-32)	1	1
11		0149506	Screw, Socket Head (#10-32 x 1")	1	1
12		0175524	Link, Lower Adjustment - Right	1	1
12		0175424	Link, Lower Adjustment - Left	1	1
13		0050100	Washer, Nylon Flat (1/4 x 1/2 x 1/16")	1	12
14		0216901	Bushing, Upper/ Lower	1	2
15		0052606	Screw, Hex Head (1/4-20 x 2")	1	2
16		0146422	Spacer, Leg Link	1	1
17		7930333	Locknut (1/4-20)	25	5
18		0055506	Screw, Socket Head (5/16-18 x 2")	1	2
19		0055800	Washer, Nylon (7/16 x 3/4 x 3/32")	1	2
20		0060300	Bushing, Bronze (5/16 x 7/16 x 1-1/4")	1	1
21		0055006	Locknut, Low Profile (5/16-18)	1	1
22		1024793	Screw, Hex Head (1/4-20 x 1-3/4")	1	1
23		0050406	Washer, Flat (1/4 x 5/8 x 1/16")	1	2
24		0217024	Bushing, Back Post/Leg Link	1	1
25		0165424	Link, MSR Lower	1	1
26		0051606	Screw, Socket Head Cap (1/4-20 x 1")	1	1
27		0217324	Link, Small	1	1
28		0217124	Link, Back Post Leg	1	1
29		0217224	Link, MSR Back Post Lower	1	1
30		0054806	Washer, Flat (5/16")	1	1
31		0139606	Screw, Hex Head (5/16-18 x 1")	1	1
32		0220924	Spacer, Rod End	1	1
33		0083800	Rod End, Male (5/16-24)	1	1
34		0141405	Nut, Hex (5/16-24)	1	1
35	B	0035902	Pushrod, Rear Tube (Short 12-1/2")	1	1
35	C	0222502	Pushrod, Rear Tube (Long 14")	1	1
36	D	0035702	Pushrod, Front Tube (AT5544 Legrest)	1	1
36	E	0036402	Pushrod, Front Tube (Genius Legrest)	1	1
37		0026400	Receptacle, Power Legrest	1	1
38		0053306	Screw, Allen Head (1/4-28 x 1")	1	1
39		0233506	Screw, Hex Head Full Thread (1/4-20 x 2-1/2")	1	1
40		0054700	Washer, Nylon (5/16 x 1/2 x 1/16")	1	2

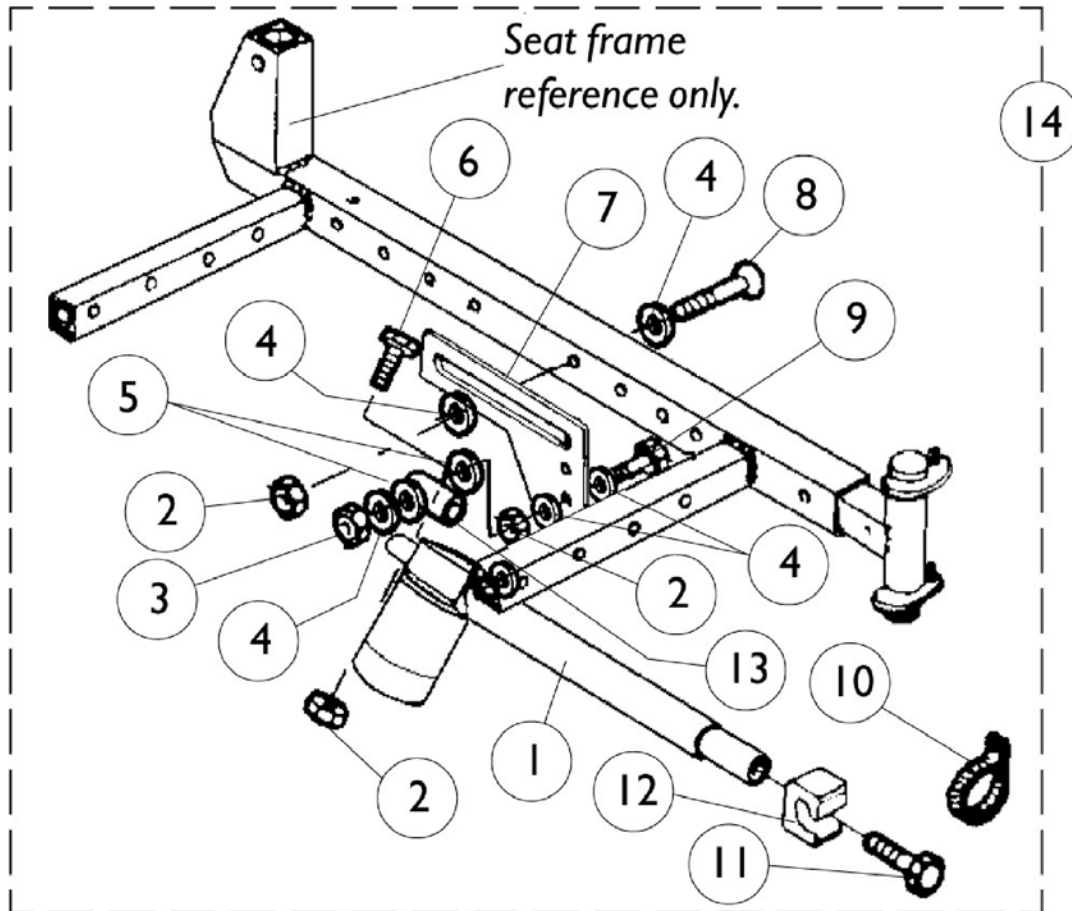
Mechanical Legrest Actuator Linkage With M.S.R. Basic Recline 4XP

Item Number	Note	Part Number	Description	Quantity Per	
				Package	Assembly
41		0054906	Locknut, High Profile (5/16-18)	1	1
42	A	1077514	Mechanical Legrest Actuator Linkage Assembly w/ M.S.R., Right	1	1
42	A	1077515	Mechanical Legrest Actuator Linkage Assembly w/ M.S.R., Left	1	1
NOTE: A - Less items 35, 36 B - Short 12-1/2" C - Long 14" D - AT5544 Legrest E - Genius Legrest					

Motor Actuators

Genius and AT5544 Legrest (Tilt Only) or (Tilt/Recline and Recline Only)

NOTE: See AT5544 Legrest (Power) page for mounting hardware.



Motor Actuators

Genius and AT5544 Legrest (Tilt Only) or (Tilt/Recline and Recline Only)

Item Number	Note	Part Number	Description	Quantity Per	
				Package	Assembly
1	B	0204100	Legrest Actuator 4" Stoke, Right	1	1
1	B	0204000	Legrest Actuator 4" Stoke, Left	1	1
1	C	0001000	Legrest Actuator 5" Stroke, Right	1	1
1	C	0000900	Legrest Actuator 5" Stroke, Left	1	1
2		7930323	Package, Locknut (1/4-20)	25	4
3		7930333	Locknut (1/4-20)	25	1
4		0050406	Washer, Flat (1/4 x 5/8 x 1/16")	1	7
5		0050100	Washer, Nylon Flat (1/4 x 1/2 x 1/16")	1	2
6		0051706-NLA	Screw, Hex Head (1/4-20 x 1")	1	1
7		0116602	Mounting Plate, Legrest Actuator	1	1
8		1024793	Screw, Hex Head (1/4-20 x 1-3/4")	1	2
9		0224306	Screw, Hex Head Full Thread (1/4-20 x 1-3/4")	1	1
10		0157600	Support Strap, Actuator	1	1
11		0053306	Screw, Allen Head (1/4-28 x 1")	1	1
12		0026400	Receptacle, Power Legrest	1	1
13	D	0203802	Bushing, Extension	1	1
13	E	0116502	Bushing, Anti-Rotation	1	1
14	A,B	1072855	Legrest Actuator w/ Attaching Hardware 4" Stroke, Right	1	1
14	A,B	1072856	Legrest Actuator w/ Attaching Hardware 4" Stroke, Left	1	1
14	B,D	1072857	Legrest Actuator w/ Attaching Hardware 4" Stroke, Right	1	1
14	B,D	1072858	Legrest Actuator w/ Attaching Hardware 4" Stroke, Left	1	1
14	A,C	1072859	Legrest Actuator w/ Attaching Hardware 5" Stroke, Right	1	1
14	A,C	1072860	Legrest Actuator w/ Attaching Hardware 5" Stroke, Left	1	1
14	C,E	1072861	Legrest Actuator w/ Attaching Hardware 5" Stroke, Right	1	1
14	C,E	1072862	Legrest Actuator w/ Attaching Hardware 5" Stroke, Left	1	1

NOTE: A - Item 13 is not used with this legrest actuator attaching hardware.

B - Genius

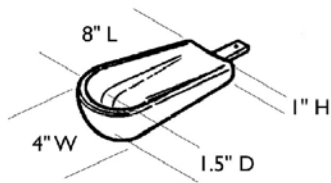
C - Invacare, AT5544

D - 20" Seat Depth Only

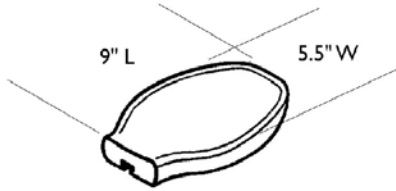
E - 16"-17" Seat Depth Only

Armrest Accessories

Otto Bock All Systems



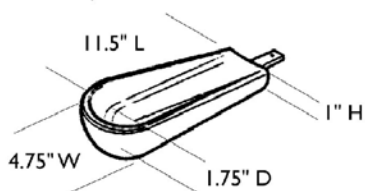
Small Channel Forearm Pad
0020700 ea.



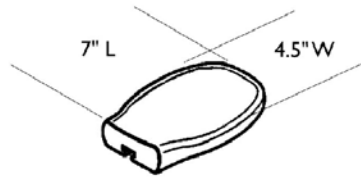
Flat Hand Pad (Large)
0023300 ea.



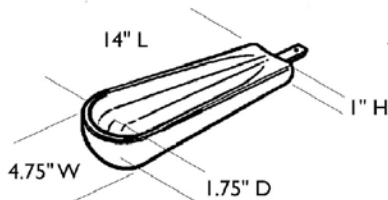
Hand/Forearm Pad Strap Kit
0021700 ea.



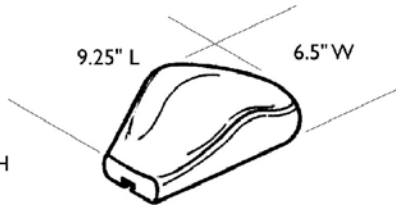
Medium Channel Forearm Pad
0020600 ea.



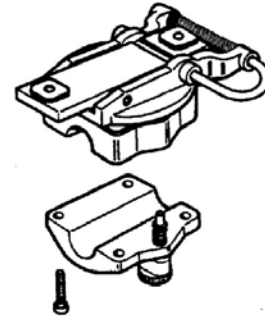
Flat Hand Pad (Medium)
0023300 ea.



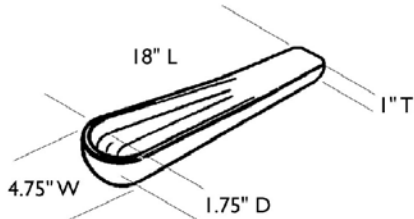
Large Channel Forearm Pad
0020500 ea.



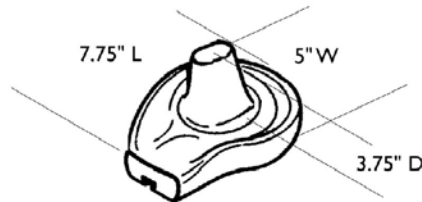
Palm Extensor Hand Pad
Right 0021600
Left 0021500



Elevating Swivel Unit 7/8"
Right 0021400
Left 0021300



One Piece Channel Forearm Pad
0020400 ea.



Cone Hand Pad
Right 0164900
Left 0164800

Armrest Accessories

Otto Bock All Systems

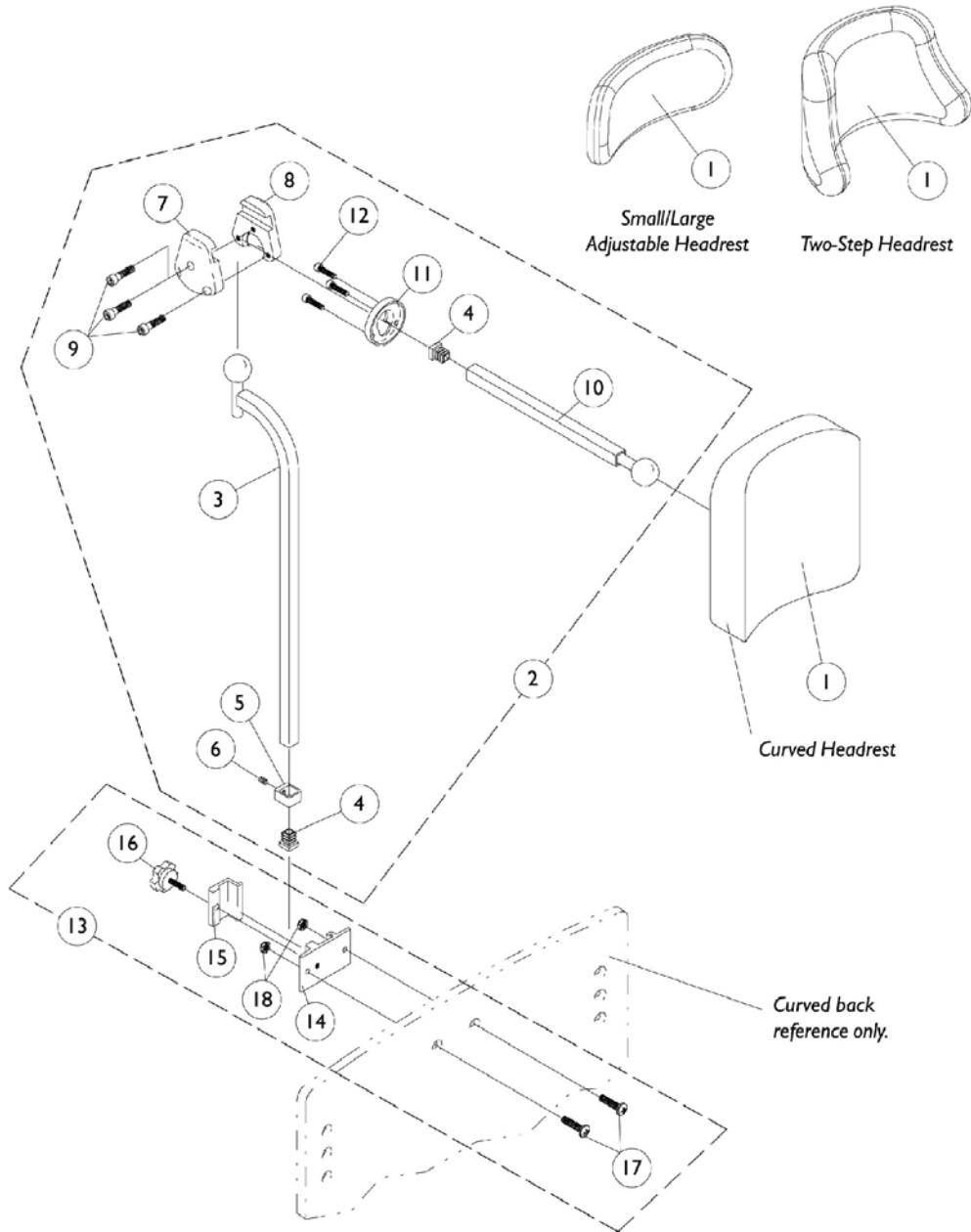
Item Number	Note	Part Number	Description	Quantity Per	
				Package	Assembly
	A	0020700	Pad, Small Channel Forearm	1	1
	A	0023000	Pad, Flat Hand (Large)	1	1
	A	0021700	Kit, Hand/ Forearm Pad Strap	1	1
	A	0020600	Pad, Medium Channel Forearm	1	1
	A	0023300	Pad, Flat Hand (Medium)	1	1
	A	0020500	Pad, Large Channel Forearm	1	1
	A	0021600	Pad, Palm Extensor Hand - Right	1	1
	A	0021500	Pad, Palm Extensor Hand - Left	1	1
	A	0021400	Elevating Swivel Unit 7/8" - Right	1	1
	A	0021300	Elevating Swivel Unit 7/8" - Left	1	1
	A	0020400	Pad, One Piece Channel Forearm	1	1
	A	0164900	Pad, Cone Hand - Right	1	1
	A	0164800	Pad, Cone Hand - Left	1	1

NOTE: A - See Pictorial

Headrest Assembly

A.B.S. Curved Back

All Systems



Headrest Assembly

A.B.S. Curved Back

All Systems

Item Number	Note	Part Number	Description	Quantity Per	
				Package	Assembly
1		0127700	Headrest, Curved (6"W x 7"H)	1	1
1		0128000	Headrest, Two-Step (8-1/2"W x 5-1/2"H)	1	1
1		0022600	Headrest, Small Adjustable, Otto Bock (9"W x 3-1/2"H)	1	1
1		0022400	Headrest, Large Adjustable, Otto Bock (12"W x 6"H)	1	1
2		0197024	Fixture Assembly, Offset Support	1	1
3		0271524	Tube, Offset Fixture	1	1
4		1077076	Plug Button, Square (1/2")	1	2
5		0271124	Collar, Offset Fixture Tube	1	1
6		0288606	Set Screw, Socket Head (#10-24 x 3/16")	1	1
7		0271224	Half Clamp, Non-Threaded Holes	1	1
8		0271324	Half Clamp, Threaded Holes	1	1
9		1027268	Screw, Allen Head (1/4-20 x 1")	1	3
10		0271424	Tube, Fixture Adjustment	1	1
11		0283724	Ring, Fixture Clamp	1	1
12		0067006	Screw, Socket Head (#10-32 x 1/2")	1	3
13	A	0273100	Kit, Headrest Clamp	1	1
14	A,B	0237422-NLA	Clamp, Small Bottom Half	1	1
15	A,B	0237522-NLA	Clamp, Small Top Half	1	1
16		1072439	Knob, Adjustment (1-3/8" Dia., 3/4" Long Threads)	1	1
17		0288706	Screw, Socket Head (1/4-20 x 1")	1	2
18		7930333	Locknut (1/4-20)	25	2

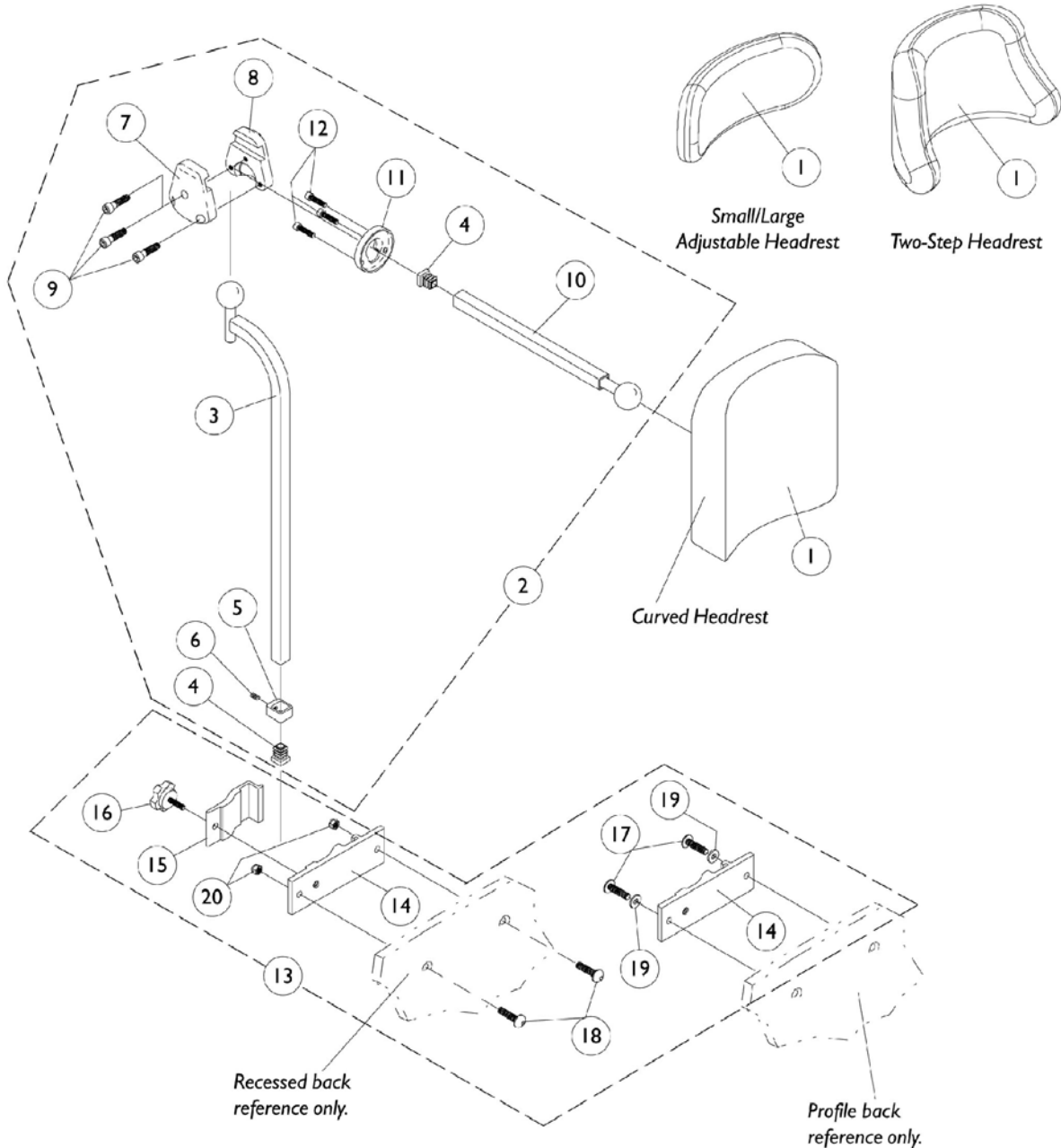
NOTE: A - Curved Backs
B - Clamp is no longer available individually. See item 13 Clamp Assembly part number 0273100

Headrest Assembly

Profile and Recessed Back

Basic Tilt and Tilt Only or Tilt/Recline and Recline Only

NOTE: Recessed back is not offered on Basic Tilt and Tilt Only Systems.
NOTE: Headrest clamp hardware comes packaged to accommodate profile and recessed backs.



Headrest Assembly

Profile and Recessed Back

Basic Tilt and Tilt Only or Tilt/Recline and Recline Only

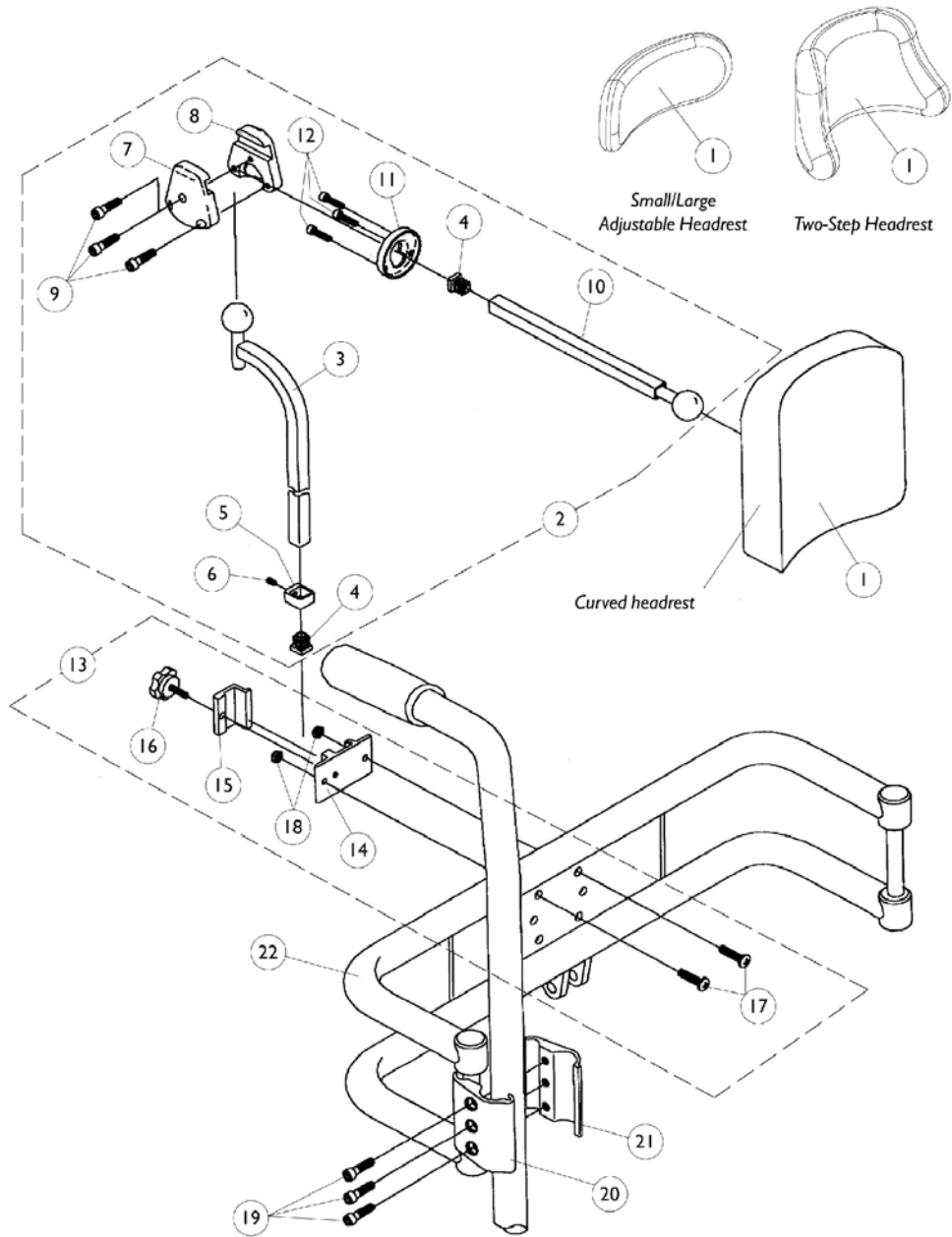
Item Number	Note	Part Number	Description	Quantity Per	
				Package	Assembly
1		0127700	Headrest, Curved (6"W x 7"H)	1	1
1		0128000	Headrest, Two-Step (8-1/2"W x 5-1/2"H)	1	1
1		0022600	Headrest, Small Adjustable, Otto Bock (9"W x 3-1/2"H)	1	1
1		0022400	Headrest, Large Adjustable, Otto Bock (12"W x 6"H)	1	1
2		0197024	Fixture Assembly, Offset Support	1	1
3		0271524	Tube, Offset Fixture	1	1
4		1077076	Plug Button, Square (1/2")	1	2
5		0271124	Collar, Offset Fixture Tube	1	1
6		0288606	Set Screw, Socket Head (#10-24 x 3/16")	1	1
7		0271224	Half Clamp, Non-Threaded Holes	1	1
8		0271324	Half Clamp, Threaded Holes	1	1
9		1027268	Screw, Allen Head (1/4-20 x 1")	1	3
10		0271424	Tube, Fixture Adjustment	1	1
11		0283724	Ring, Fixture Clamp	1	1
12		0067006	Screw, Socket Head (#10-32 x 1/2")	1	3
13	A	0273000	Headrest Clamp Assembly	1	1
14	A	0235222	Clamp, Large Bottom Half	1	1
15	A	0235322	Clamp, Large Top Half	1	1
16		1072440	Knob, Adjustment (1-3/8" Dia., 1/2" Long Threads)	1	1
17		0258006	Screw, Socket Head (1/4-20 x 5/8")	1	2
18		0051606	Screw, Socket Head Cap (1/4-20 x 1")	1	2
19		1007453	Lockwasher, Split (1/4")	1	2
20		7930323	Package, Locknut (1/4-20)	25	2

NOTE: A - Recessed and Profile Backs

Headrest Assembly

Back Cane Only Option

Basic Tilt and Tilt Only



Headrest Assembly Back Cane Only Option Basic Tilt and Tilt Only

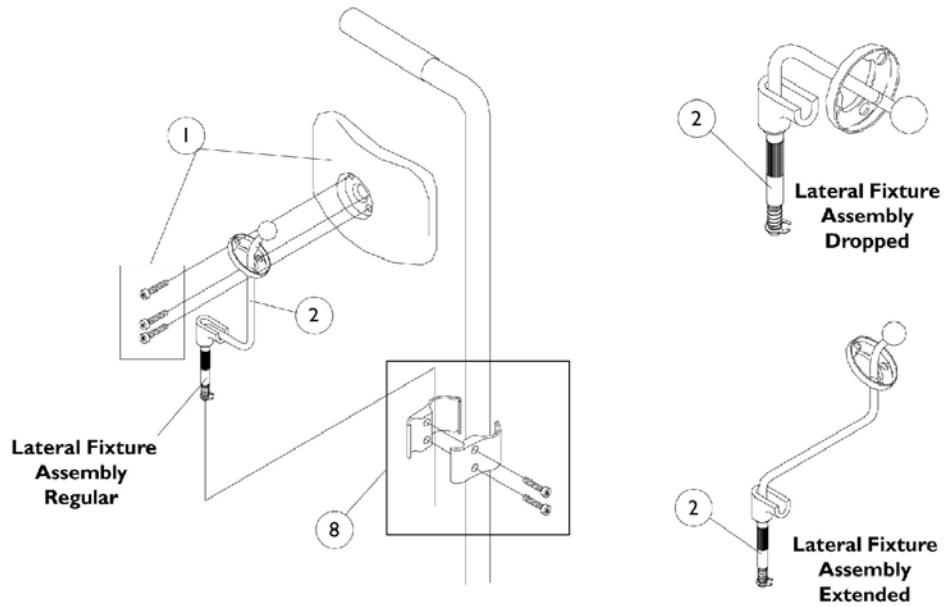
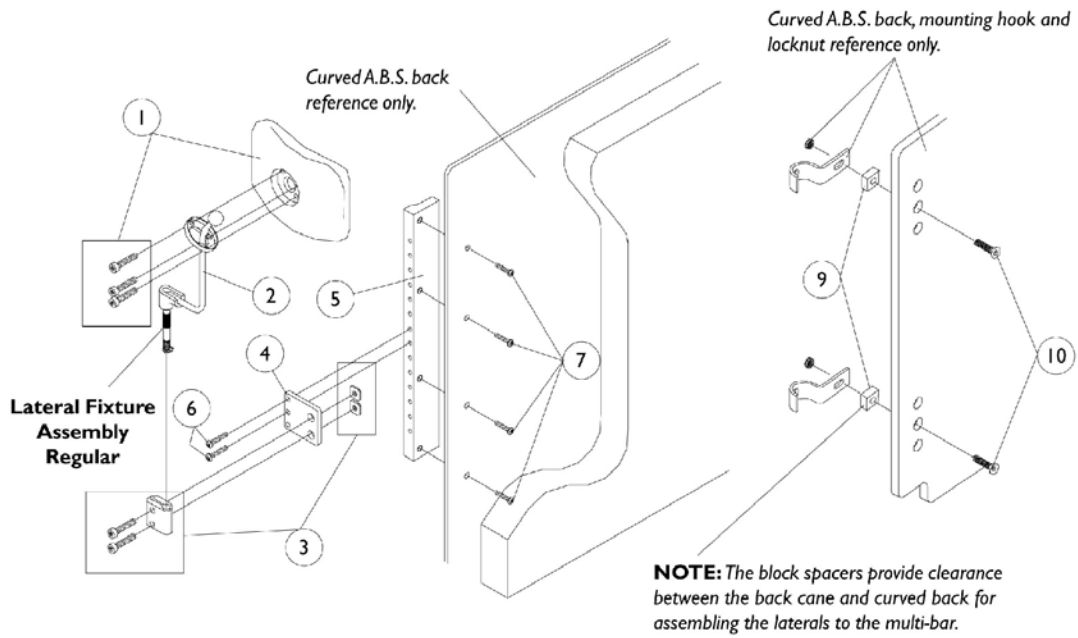
Item Number	Note	Part Number	Description	Quantity Per	
				Package	Assembly
1		0127700	Headrest, Curved (6"W x 7"H)	1	1
1		0128000	Headrest, Two-Step (8-1/2"W x 5-1/2"H)	1	1
1		0022600	Headrest, Small Adjustable, Otto Bock (9"W x 3-1/2"H)	1	1
1		0022400	Headrest, Large Adjustable, Otto Bock (12"W x 6"H)	1	1
2		0197024	Fixture Assembly, Offset Support	1	1
3		0271524	Tube, Offset Fixture	1	1
4		1077076	Plug Button, Square (1/2")	1	2
5		0271124	Collar, Offset Fixture Tube	1	1
6		0288606	Set Screw, Socket Head (#10-24 x 3/16")	1	1
7		0271224	Half Clamp, Non-Threaded Holes	1	1
8		0271324	Half Clamp, Threaded Holes	1	1
9		1027268	Screw, Allen Head (1/4-20 x 1")	1	3
10		0271424	Tube, Fixture Adjustment	1	1
11		0283724	Ring, Fixture Clamp	1	1
12		0067006	Screw, Socket Head (#10-32 x 1/2")	1	2
13	A	0273100	Kit, Headrest Clamp	1	1
14	B	0237422-NLA	Clamp, Small Bottom Half	1	1
15	B	0237522-NLA	Clamp, Small Top Half	1	1
16		1072439	Knob, Adjustment (1-3/8" Dia., 3/4" Long Threads)	1	1
17		0052906	Screw, Socket Button Head (1/4-20 x 3/4")	1	2
18		7930333	Locknut (1/4-20)	25	2
19		0068706	Screw, Socket Head (1/4-20 x 5/8")	1	6
20		0190822	Half Clamp, Threaded Holes (7/8" Dia. Back Canes)	1	2
21		0190722	Half Clamp, Un-Threaded Holes (7/8" Dia. Back Canes)	1	2
22		0013402	Bar, Push, Black (14" Wide)	1	1
22		0013502	Bar, Push, Black (15" Wide)	1	1
22		0013602	Bar, Push, Black (16" Wide)	1	1
22		0013702	Bar, Push, Black (17" Wide)	1	1
22		0013802	Bar, Push, Black (18" Wide)	1	1
22		0013902	Bar, Push, Black (19" Wide)	1	1
22		0014002	Bar, Push, Black (20" Wide)	1	1
22		0014102	Bar, Push, Black (21" Wide)	1	1
22		0014202	Bar, Push, Black (22" Wide)	1	1

NOTE: A - Back Canes Only
B - Clamp is no longer available individually. See item 13 Clamp Assembly part number 0273100

Lateral Support Assembly

Otto Bock

Basic Tilt and Tilt Only



Lateral Support Assembly

Otto Bock

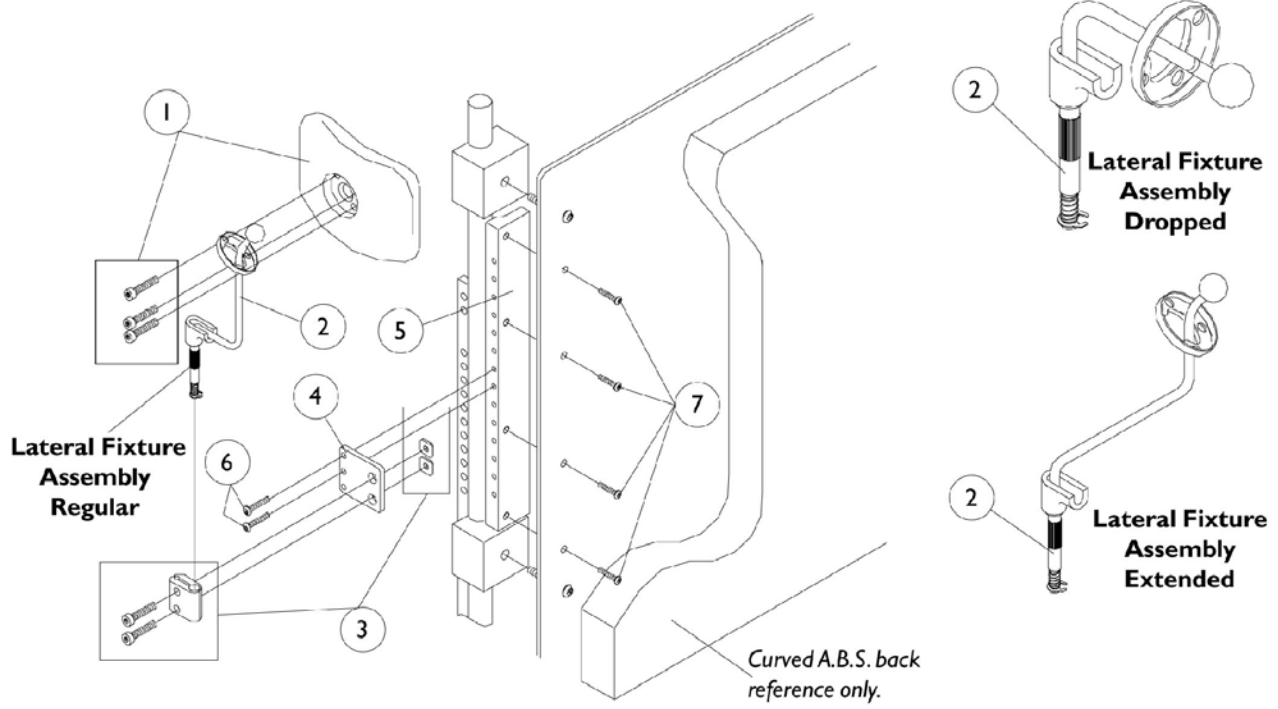
Basic Tilt and Tilt Only

Item Number	Note	Part Number	Description	Quantity Per	
				Package	Assembly
1		0023700	Pad Assembly, O.B. Lateral, Small (4-1/2" Wide x 3" High)	1	1
1		0024800	Pad Assembly, O.B. Lateral, Medium (5-1/4" Wide x 3-1/2" High)	1	1
1		0024700	Pad Assembly, O.B. Laterar, Large (7" Wide x 4-1/2" High)	1	1
2		0024200-NLA	Fixture Assembly, O.B. Lateral, Regular, Right	1	1
2		0024100-NLA	Fixture Assembly, O.B. Lateral, Regular, Left	1	1
2		0024400-NLA	Fixture Assembly, O.B. Lateral, Extended, Right	1	1
2		0024300-NLA	Fixture Assembly, O.B. Lateral, Extended, Left	1	1
2		0024600-NLA	Fixture Assembly, O.B. Lateral, Dropped, Right	1	1
2		0024500-NLA	Fixture Assembly, O.B. Lateral, Dropped, Left	1	1
3		0024000-NLA	Clamp Assembly, Flat	1	1
4		0260702	Adapter Plate, 5/8" Spacing	1	1
4		0063602	Adapter Plate, 3/4" Spacing	1	1
5		0260522	Multi-Attachment Bar, A.B.S. Curved Back, 5/8" Spacing	1	1
5		0063522	Multi-Attachment Bar, A.B.S. Curved Back, 3/4" Spacing	1	1
6		0139306	Screw, Socket Button Head (#10-32 x 3/4")	1	2
7		0052906	Screw, Socket Button Head (1/4-20 x 3/4")	1	4
8		0023800-NLA	Clamp Assembly, 3/4" Diameter Cane	1	1
8		0023900-NLA	Clamp Assembly, 7/8" Diameter Cane	1	1
9		0159402	Spacer, Block (1" x 3/4" x 1/2")	1	4
10		0050806	Screw, Socket Flat Head (1/4-20 x 1-1/2)	1	4

Lateral Support Assembly

Otto Bock

Basic Recline (4XP) or Tilt/Recline and Recline Only



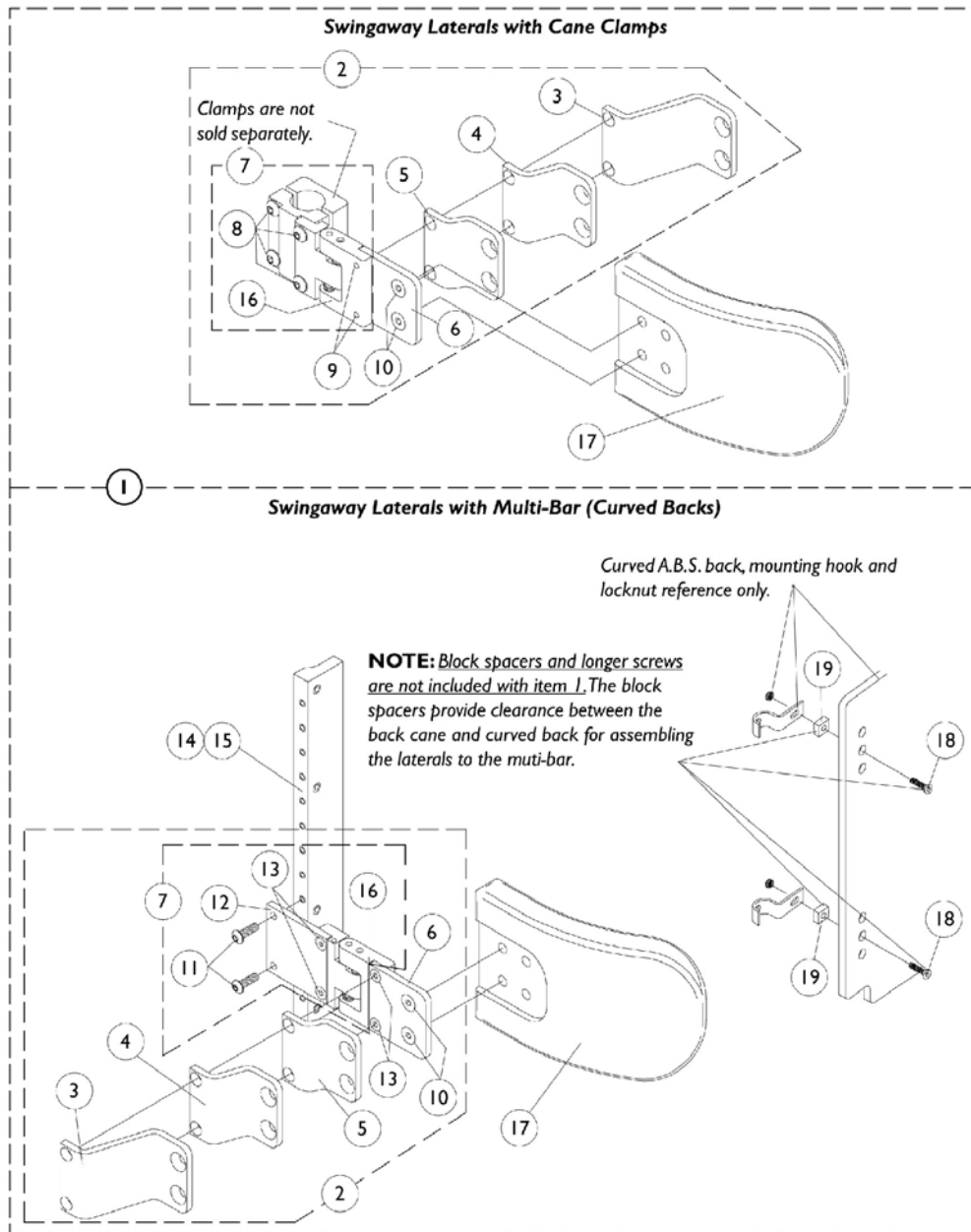
Lateral Support Assembly
Otto Bock
Basic Recline (4XP) or Tilt/Recline and Recline Only

Item Number	Note	Part Number	Description	Quantity Per	
				Package	Assembly
1		0023700	Pad Assembly, O.B. Lateral, Small (4-1/2" Wide x 3" High)	1	1
1		0024800	Pad Assembly, O.B. Lateral, Medium (5-1/4" Wide x 3-1/2" High)	1	1
1		0024700	Pad Assembly, O.B. Laterar, Large (7" Wide x 4-1/2" High)	1	1
2		0024200-NLA	Fixture Assembly, O.B. Lateral, Regular, Right	1	1
2		0024100-NLA	Fixture Assembly, O.B. Lateral, Regular, Left	1	1
2		0024400-NLA	Fixture Assembly, O.B. Lateral, Extended, Right	1	1
2		0024300-NLA	Fixture Assembly, O.B. Lateral, Extended, Left	1	1
2		0024600-NLA	Fixture Assembly, O.B. Lateral, Dropped, Right	1	1
2		0024500-NLA	Fixture Assembly, O.B. Lateral, Dropped, Left	1	1
3		0024000-NLA	Clamp Assembly, Flat	1	1
4		0260702	Adapter Plate, 5/8" Spacing	1	1
4		0063602	Adapter Plate, 3/4" Spacing	1	1
5		0260522	Multi-Attachment Bar, A.B.S. Curved Back, 5/8" Spacing	1	1
5		0063522	Multi-Attachment Bar, A.B.S. Curved Back, 3/4" Spacing	1	1
6		0139306	Screw, Socket Button Head (#10-32 x 3/4")	1	2
7		0052906	Screw, Socket Button Head (1/4-20 x 3/4")	1	4

Lateral Support Assembly

Tarsys

Basic Tilt and Tilt Only



Lateral Support Assembly

Tarsys

Basic Tilt and Tilt Only

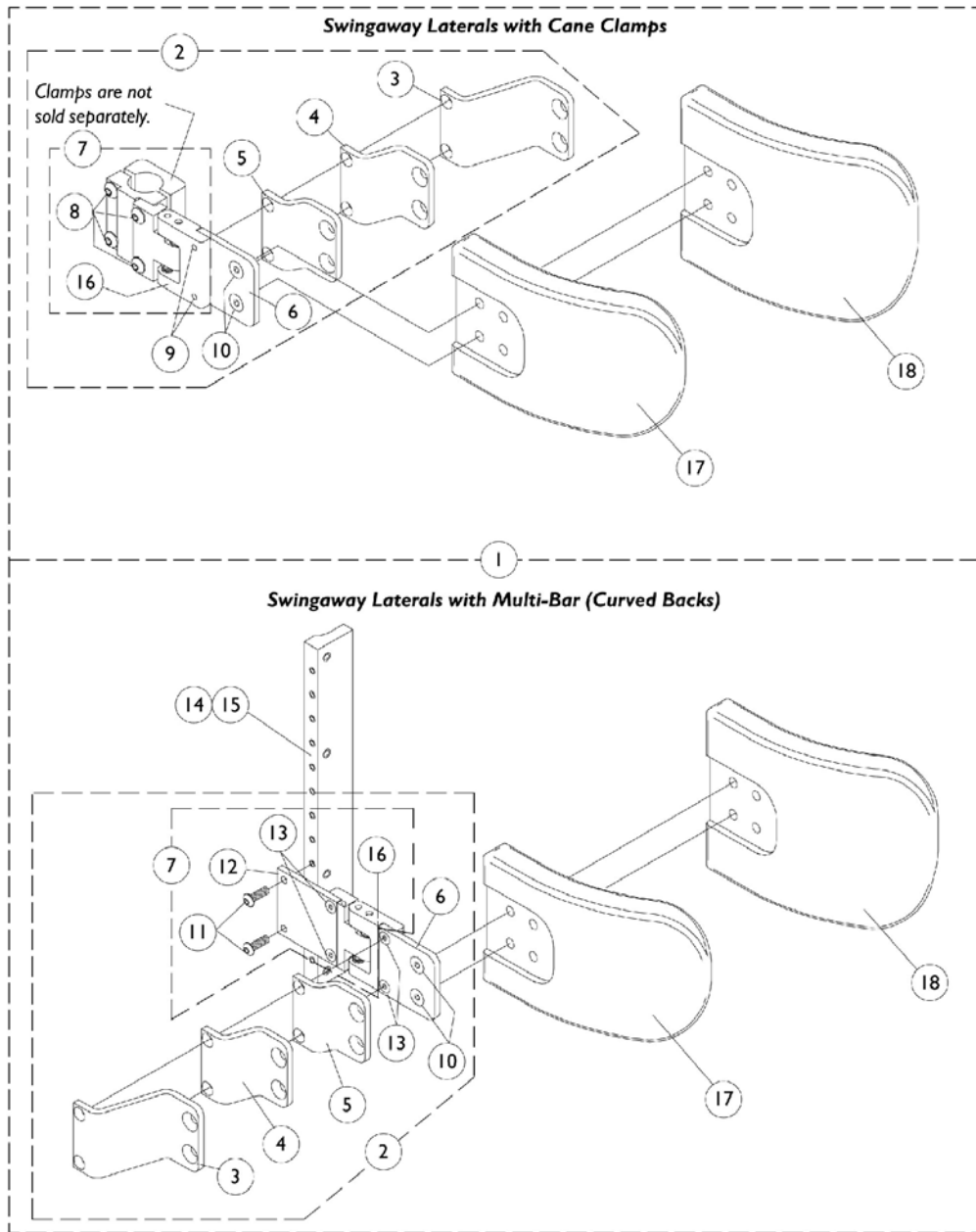
Item Number	Note	Part Number	Description	Quantity Per	
				Package	Assembly
1		1072661	Swingaway Lateral Support Assembly (Tarsys) (Pair) Cane Clamp Hardware with Medium Pads	1	1
1		1072662	Swingaway Lateral Support Assembly (Tarsys) (Pair) Cane Clamp Hardware with Large Pads	1	1
1	A	1072585	Swingaway Lateral Support Assembly (Tarsys) (Pair) Multi Bar Hardware with Medium Pads	1	1
1	A	1072586	Swingaway Lateral Support Assembly (Tarsys) (Pair) Multi Bar Hardware with Large Pads	1	1
2	B	1072660	Cane Clamp, Right	1	1
2	B	1077191	Cane Clamp, Left	1	1
2	B	1072588	Multi-Bar, Right	1	1
2	B	1072587	Multi-Bar, Left	1	1
3		1072592	Bracket, Extension Offset, Black (2")	1	1
4		1077187	Bracket, Extension Offset, Black (1")	1	1
5		1077186	Bracket, Extension Offset, Black (1/2")	1	1
6		1077185	Bracket, Flush Mount, Black	1	1
7	C	1077192	Cane Clamp, Right	1	1
7	C	1077193	Cane Clamp, Left	1	1
7	C	1077194	Multi-Bar, Right	1	1
7	C	1077195	Multi-Bar, Left	1	1
8		0051206	Screw, Socket Head (1/4-20 x 1-1/4)	1	4
9		1084411	Screw, Socket Flat Head C'Sunk (#10-32 x 1/2")	1	2
10		1102887	Screw, Socket Flat Head C'Sunk (1/4-20 x 1/2")	1	2
11		1072593	Screw, Allen Button Head (#10-32 x 5/8")	1	1
12		1077190	Bracket, Mounting, Black	1	1
13		1084411	Screw, Socket Flat Head C'Sunk (#10-32 x 1/2")	1	1
14		0063522	Multi-Attachment Bar, A.B.S. Curved Back, 3/4" Spacing	1	2
15		0052906	Screw, Socket Button Head (1/4-20 x 3/4")	1	1
16		1096489	Bracket, Swingaway, Cane Clamp - Right	1	1
16		1096490	Bracket, Swingaway, Cane Clamp - Left	1	1
16		1077188	Swingaway Bracket - Right	1	1
16		1077189	Swingaway Bracket - Left	1	1
17		1072589	Pad, Lateral Support, Medium (6" Wide x 4" High)	1	1
17		1072590	Pad, Lateral Support, Large (6" Wide x 5" High)	1	1
18		0050806	Screw, Socket Flat Head (1/4-20 x 1-1/2)	1	4
19		0159402	Spacer, Block (1" x 3/4" x 1/2")	1	4

NOTE: A - Items 18 and 19 are not included with swingaway lateral assemblies.
B - Swingaway Bracket Assembly with Offset Brackets
C - Swingaway Bracket Assembly LESS Offset Brackets

Lateral Support Assembly

Tarsys

Basic Recline (4XP) or Tilt/Recline and Recline Only



Lateral Support Assembly

Tarsys

Basic Recline (4XP) or Tilt/Recline and Recline Only

Item Number	Note	Part Number	Description	Quantity Per	
				Package	Assembly
1		1072661	Swingaway Lateral Support Assembly (Tarsys) (Pair) Cane Clamp Hardware with Medium Pads	1	1
1		1072662	Swingaway Lateral Support Assembly (Tarsys) (Pair) Cane Clamp Hardware with Large Pads	1	1
1		1072585	Swingaway Lateral Support Assembly (Tarsys) (Pair) Multi Bar Hardware with Medium Pads	1	1
1		1072586	Swingaway Lateral Support Assembly (Tarsys) (Pair) Multi Bar Hardware with Large Pads	1	1
2	A	1072660	Cane Clamp, Right	1	1
2	A	1077191	Cane Clamp, Left	1	1
2	A	1072588	Multi-Bar, Right	1	1
2	A	1072587	Multi-Bar, Left	1	1
3		1072592	Bracket, Extension Offset, Black (2")	1	1
4		1077187	Bracket, Extension Offset, Black (1")	1	1
5		1077186	Bracket, Extension Offset, Black (1/2")	1	1
6		1077185	Bracket, Flush Mount, Black	1	1
7	B	1077192	Cane Clamp, Right	1	1
7	B	1077193	Cane Clamp, Left	1	1
7	B	1077194	Multi-Bar, Right	1	1
7	B	1077195	Multi-Bar, Left	1	1
8		0051206	Screw, Socket Head (1/4-20 x 1-1/4)	1	4
9		1084411	Screw, Socket Flat Head C'Sunk (#10-32 x 1/2")	1	2
10		1102887	Screw, Socket Flat Head C'Sunk (1/4-20 x 1/2")	1	2
11		1072593	Screw, Allen Button Head (#10-32 x 5/8")	1	2
12		1077190	Bracket, Mounting, Black	1	1
13		1084411	Screw, Socket Flat Head C'Sunk (#10-32 x 1/2")	1	4
14		0063522	Multi-Attachment Bar, A.B.S. Curved Back, 3/4" Spacing	1	1
15		0052906	Screw, Socket Button Head (1/4-20 x 3/4")	1	2
16		1096489	Bracket, Swingaway, Cane Clamp - Right	1	1
16		1096490	Bracket, Swingaway, Cane Clamp - Left	1	1
16		1077188	Swingaway Bracket - Right	1	1
16		1077189	Swingaway Bracket - Left	1	1
17		1072589	Pad, Lateral Support, Medium (6" Wide x 4" High)	1	1
18		1072590	Pad, Lateral Support, Large (6" Wide x 5" High)	1	1

NOTE: A - Swingaway Bracket Assembly with Offset Brackets
 B - Swingaway Bracket Assembly LESS Offset Brackets

Vent Tray Assembly (Before 5/1/96)

Basic Tilt and Tilt Only

Vent Tray Assembly (Before 5/1/96) Basic Tilt and Tilt Only

Item Number	Note	Part Number	Description	Quantity Per	
				Package	Assembly
1		1072928-NLA	Anti-Tip Spring Mechanism	1	2
2		0057202-NLA	Housing, Spring	1	2
3		0057305-NLA	Plunger, Spring	1	2
4		0159200-NLA	Spring, Compression	1	2
5		0057405-NLA	Retainer, Spring Plunger	1	2
6		1077248-NLA	Screw, Socket Head (1/4-20 x 1")	1	2
7		0184522-NLA	Spacer, Spring Plunger	1	4
8		0184422-NLA	Shaft, Spring Plunger Retaining	1	2
9		0226300-NLA	Retaining Ring (1/4")	1	4
10		0181602	Leg Weldment, Lower	1	2
11		1024793	Screw, Hex Head (1/4-20 x 1-3/4")	1	2
12		0050406	Washer, Flat (1/4 x 5/8 x 1/16")	1	18
13		7930333	Locknut (1/4-20)	25	12
14		0028302-NLA	Tube, Lower Support	1	2
15		0051006-NLA	Screw, Hex Head Full Thread (1/4-20 x 1-1/2")	1	8
16		0050506	Lockwasher, High Collar, Split (1/4")	1	12
17		0181502-NLA	Plate, Anti-Tip Wheel	1	4
18		0050100	Washer, Nylon Flat (1/4 x 1/2 x 1/16")	1	8
19		0185500-NLA	Spacer, Anti-Tip	1	4
20		0186000	Spacer, Wheel	1	4
21		1055684-NLA	Wheel, Anti-Tip 2"	1	2
22		0282619	Pan, Vent Tray	1	1
23		0062200-NLA	Plug Button, Square (3/4")	1	4
24		0052306-NLA	Screw, Hex Head (1/4-20 x 2-1/4")	1	2
25		0003002-NLA	Bracket, Mounting - Right	1	1
25		0002902	Bracket, Mounting - Left	1	1
26		1007453	Lockwasher, Split (1/4")	1	4
27		0055006	Locknut, Low Profile (5/16-18)	1	2
28		0049824	Spacer, Coved (7/8")	1	2
29		0051706-NLA	Screw, Hex Head (1/4-20 x 1")	1	4
30		0059800-NLA	Bearing, Nylon	1	8
31		0004900-NLA	Strap, Battery (65" Long)	1	1
32		0181402	Vent/ Battery Tray	1	1
33		0181802	Frame, Vent Hanger, Right	1	1
33		0181702	Frame, Vent Hanger, Left	1	1
34		1077249	Screw, Socket Head (#10-32 x 3/4")	1	8
35		0224806-NLA	Washer (#10)	1	8
36		7930332	Locknut, High Profile (#10-32)	25	8
37		0004800	Strap, Battery (55" Long)	1	1
38	A	1077273-NLA	Vent/Battery Tray Assembly	1	1

NOTE: A - See vent tray assembly dated after 4/30/96.

Vent Tray Assembly (Before 5/1/96)
Basic Recline 4XP or Tilt/Recline and Recline Only

Vent Tray Assembly (Before 5/1/96)

Basic Recline 4XP or Tilt/Recline and Recline Only

Item Number	Note	Part Number	Description	Quantity Per	
				Package	Assembly
1		1072928-NLA	Anti-Tip Spring Mechanism	1	2
2		0057202-NLA	Housing, Spring	1	2
3		0057305-NLA	Plunger, Spring	1	2
4		0159200-NLA	Spring, Compression	1	2
5		0057405-NLA	Retainer, Spring Plunger	1	2
6		1077248-NLA	Screw, Socket Head (1/4-20 x 1")	1	2
7		0184522-NLA	Spacer, Spring Plunger	1	4
8		0184422-NLA	Shaft, Spring Plunger Retaining	1	2
9		0226300-NLA	Retaining Ring (1/4")	1	4
10		0181602	Leg Weldment, Lower	1	2
11		1024793	Screw, Hex Head (1/4-20 x 1-3/4")	1	2
12		0050406	Washer, Flat (1/4 x 5/8 x 1/16")	1	18
13		7930333	Locknut (1/4-20)	25	16
14		0028302-NLA	Tube, Lower Support	1	2
15		0051006-NLA	Screw, Hex Head Full Thread (1/4-20 x 1-1/2")	1	8
16		0050506	Lockwasher, High Collar, Split (1/4")	1	12
17		0181502-NLA	Plate, Anti-Tip Wheel	1	4
18		0050100	Washer, Nylon Flat (1/4 x 1/2 x 1/16")	1	8
19		0185500-NLA	Spacer, Anti-Tip	1	4
20		0186000	Spacer, Wheel	1	4
21		1055684-NLA	Wheel, Anti-Tip 2"	1	2
22		0282619	Pan, Vent Tray	1	1
23		0062200-NLA	Plug Button, Square (3/4")	1	4
24		0052306-NLA	Screw, Hex Head (1/4-20 x 2-1/4")	1	2
25		0182502-NLA	Plate, Top Mounting	1	2
26		0004800	Strap, Battery (55" Long)	1	1
27		0055006	Locknut, Low Profile (5/16-18)	1	2
28		7930332	Locknut, High Profile (#10-32)	25	8
29		0053006-NLA	Screw, Hex Head (1/4-20 x 3/4")	1	4
30		0059800-NLA	Bearing, Nylon	1	8
31		0004900-NLA	Strap, Battery (65" Long)	1	1
32		0181402	Vent/ Battery Tray	1	1
33		0181802	Frame, Vent Hanger, Right	1	1
33		0181702	Frame, Vent Hanger, Left	1	1
34		1077249	Screw, Socket Head (#10-32 x 3/4")	1	8
35		0224806-NLA	Washer (#10)	1	8
36	A	1077265-NLA	Vent/Battery Tray Assembly	1	1

NOTE: A - See vent tray assembly dated after 4/30/96

Vent Tray Assembly (After 4/30/96)

Basic Tilt and Tilt Only

Vent Tray Assembly (After 4/30/96) Basic Tilt and Tilt Only

Item Number	Note	Part Number	Description	Quantity Per	
				Package	Assembly
1	A	1072928-NLA	Anti-Tip Spring Mechanism	1	2
2		0057202-NLA	Housing, Spring	1	2
3		0057305-NLA	Plunger, Spring	1	2
4		0159200-NLA	Spring, Compression	1	2
5		0057405-NLA	Retainer, Spring Plunger	1	2
6		1077248-NLA	Screw, Socket Head (1/4-20 x 1")	1	2
7		0184522-NLA	Spacer, Spring Plunger	1	4
8		0184422-NLA	Shaft, Spring Plunger Retaining	1	2
9		0226300-NLA	Retaining Ring (1/4")	25	4
10		0300102-NLA	Leg Weldment, Lower	1	2
11		1037610	Screw, Hex Head (1/4-20 x 1-5/8")	1	2
12		0050406	Washer, Flat (1/4 x 5/8 x 1/16")	1	24
13		7930333	Locknut (1/4-20)	25	10
14		0300202-NLA	Adjustment Tube, Lower Leg	1	2
15		0051006-NLA	Screw, Hex Head Full Thread (1/4-20 x 1-1/2")	1	4
16		0050506	Lockwasher, High Collar, Split (1/4")	1	12
17		0181502-NLA	Plate, Anti-Tip Wheel	1	4
18		0050100	Washer, Nylon Flat (1/4 x 1/2 x 1/16")	1	12
19		0185500-NLA	Spacer, Anti-Tip	1	4
20		0186000	Spacer, Wheel	1	4
21		1055684-NLA	Wheel, Anti-Tip 2"	1	2
22		7930323	Package, Locknut (1/4-20)	25	10
23		0062200-NLA	Plug Button, Square (3/4")	1	2
24		0052306-NLA	Screw, Hex Head (1/4-20 x 2-1/4")	1	2
25		0301302	Plate, Angle Mounting (Tilt) Right	1	1
25		0301202	Plate, Angle Mounting (Tilt) Left	1	1
26		1007453	Lockwasher, Split (1/4")	1	1
27		0055006	Locknut, Low Profile (5/16-18)	1	4
28		0301102	Hanger Tube (Tilt)	1	2
29		0051706-NLA	Screw, Hex Head (1/4-20 x 1")	1	2
30		0059800-NLA	Bearing, Nylon	1	10
31		0302800-NLA	Plug Button, Rectangular (1 x 1/2")	1	4
32		0299202-NLA	Vent Tray	1	2
33		0300902-NLA	Adjustment Wing, Right	1	1
33		0300802-NLA	Adjustment Wing, Left	1	1
34		1077249	Screw, Socket Head (#10-32 x 3/4")	1	6
35		0224806-NLA	Washer (#10)	1	6
36		1025735	Locknut (#10-32)	1	6
37		0301619-NLA	Plate, ABS Bottom	1	1
38		0004900-NLA	Strap, Battery (65" Long)	1	1
39		0053006-NLA	Screw, Hex Head (1/4-20 x 3/4")	1	2
40		0049824	Spacer, Coved (7/8")	1	2
41	B	0307600-NLA	Vent Tray Assembly (Includesox Hanger Assembly)	1	1

Vent Tray Assembly (After 4/30/96)

Basic Tilt and Tilt Only

NOTE: A - Includes items 2-9
B - Includes Battery Box Hanger Assembly

When ordering a vent tray assembly for storm bases manufactured after 6/30/98 you must order the anti-tip extension assemblies located on Anti-Tip Wheel Extension Assembly page.

Vent Tray Assembly (After 4/30/96)
Basic Recline 4XP or Tilt/Recline and Recline Only

Vent Tray Assembly (After 4/30/96)

Basic Recline 4XP or Tilt/Recline and Recline Only

Item Number	Note	Part Number	Description	Quantity Per	
				Package	Assembly
1	A	1072928-NLA	Anti-Tip Spring Mechanism	1	2
2		0057202-NLA	Housing, Spring	1	2
3		0057305-NLA	Plunger, Spring	1	2
4		0159200-NLA	Spring, Compression	1	2
5		0057405-NLA	Retainer, Spring Plunger	1	2
6		1077248-NLA	Screw, Socket Head (1/4-20 x 1")	1	2
7		0184522-NLA	Spacer, Spring Plunger	1	4
8		0184422-NLA	Shaft, Spring Plunger Retaining	1	2
9		0226300-NLA	Retaining Ring (1/4")	1	4
10		0300102-NLA	Leg Weldment, Lower	1	2
11		1037610	Screw, Hex Head (1/4-20 x 1-5/8")	1	2
12		0050406	Washer, Flat (1/4 x 5/8 x 1/16")	1	24
13		7930333	Locknut (1/4-20)	25	10
14		0300202-NLA	Adjustment Tube, Lower Leg	1	2
15		0051006-NLA	Screw, Hex Head Full Thread (1/4-20 x 1-1/2")	1	4
16		0050506	Lockwasher, High Collar, Split (1/4")	1	12
17		0181502-NLA	Plate, Anti-Tip Wheel	1	4
18		0050100	Washer, Nylon Flat (1/4 x 1/2 x 1/16")	1	12
19		0185500-NLA	Spacer, Anti-Tip	1	4
20		0186000	Spacer, Wheel	1	4
21		1055684-NLA	Wheel, Anti-Tip 2"	1	2
22		7930323	Package, Locknut (1/4-20)	25	10
23		0062200-NLA	Plug Button, Square (3/4")	1	2
24		0052306-NLA	Screw, Hex Head (1/4-20 x 2-1/4")	1	2
25		0299002-NLA	Plate, Offset Mounting (Tilt/ Recline) Right	1	1
25		0298902	Plate, Offset Mounting (Tilt/ Recline) Left	1	1
26		1007453	Lockwasher, Split (1/4")	1	2
27		0055006	Locknut, Low Profile (5/16-18)	1	2
28		0301002-NLA	Hanger Tube (Tilt/Recline)	1	2
29		0051706-NLA	Screw, Hex Head (1/4-20 x 1")	1	10
30		0059800-NLA	Bearing, Nylon	1	4
31		0302800-NLA	Plug Button, Rectangular (1 x 1/2")	1	2
32		0299202-NLA	Vent Tray	1	1
33		0300902-NLA	Adjustment Wing, Right	1	1
33		0300802-NLA	Adjustment Wing, Left	1	1
34		1077249	Screw, Socket Head (#10-32 x 3/4")	1	6
35		0224806-NLA	Washer (#10)	1	6
36		1025735	Locknut (#10-32)	1	6
37		0301619-NLA	Plate, ABS Bottom	1	1
38		0004900-NLA	Strap, Battery (65" Long)	1	1
39	B	0307500-NLA	Vent Tray Assembly (Includes Battery Box Hanger Assembly)	1	1

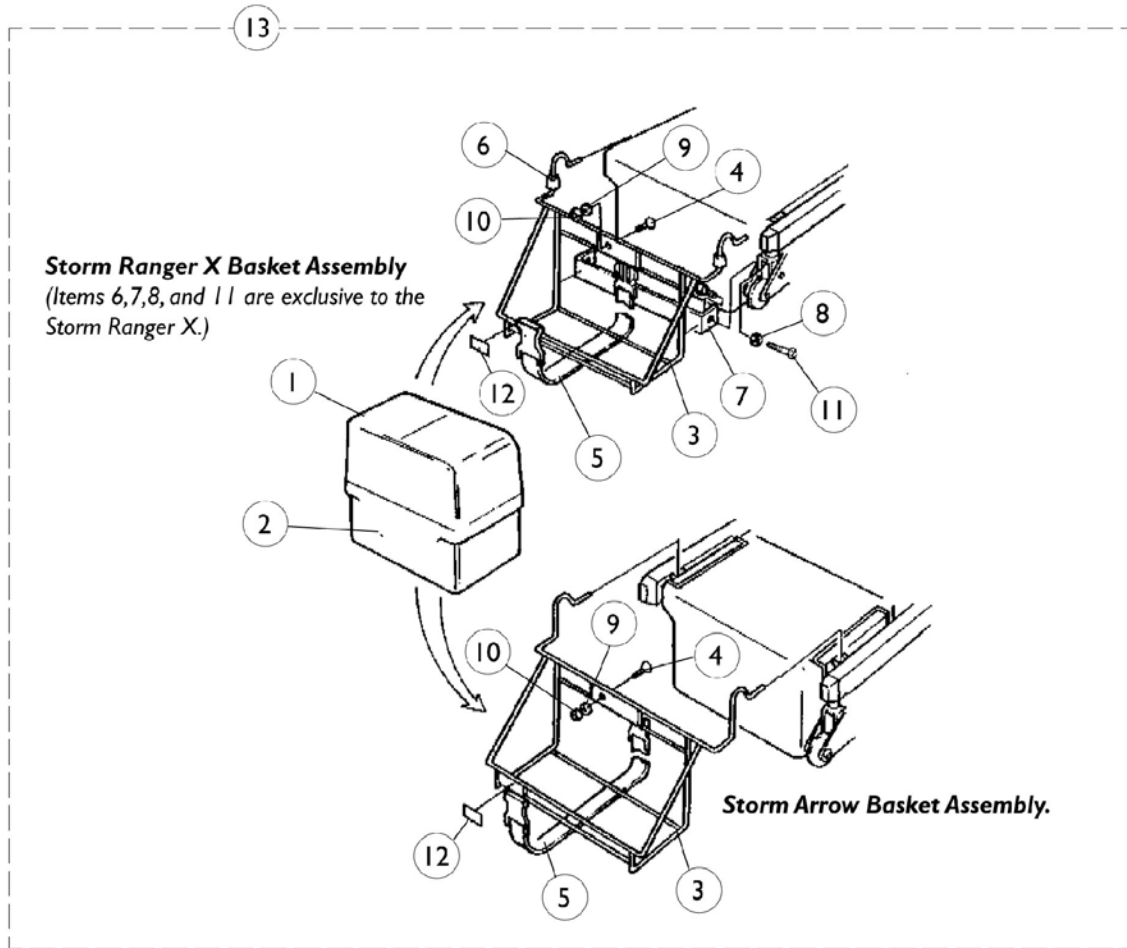
Vent Tray Assembly (After 4/30/96)

Basic Recline 4XP or Tilt/Recline and Recline Only

NOTE: A - Includes items 2-9
B - Includes Battery Box Hanger Assembly

When ordering a vent tray assembly for storm bases manufactured after 6/30/98 you must order the anti-tip extension assemblies located on Anti-Tip Wheel Extension Assembly page.

Vent Tray Battery Box and Basket Assembly (After 4/30/96)



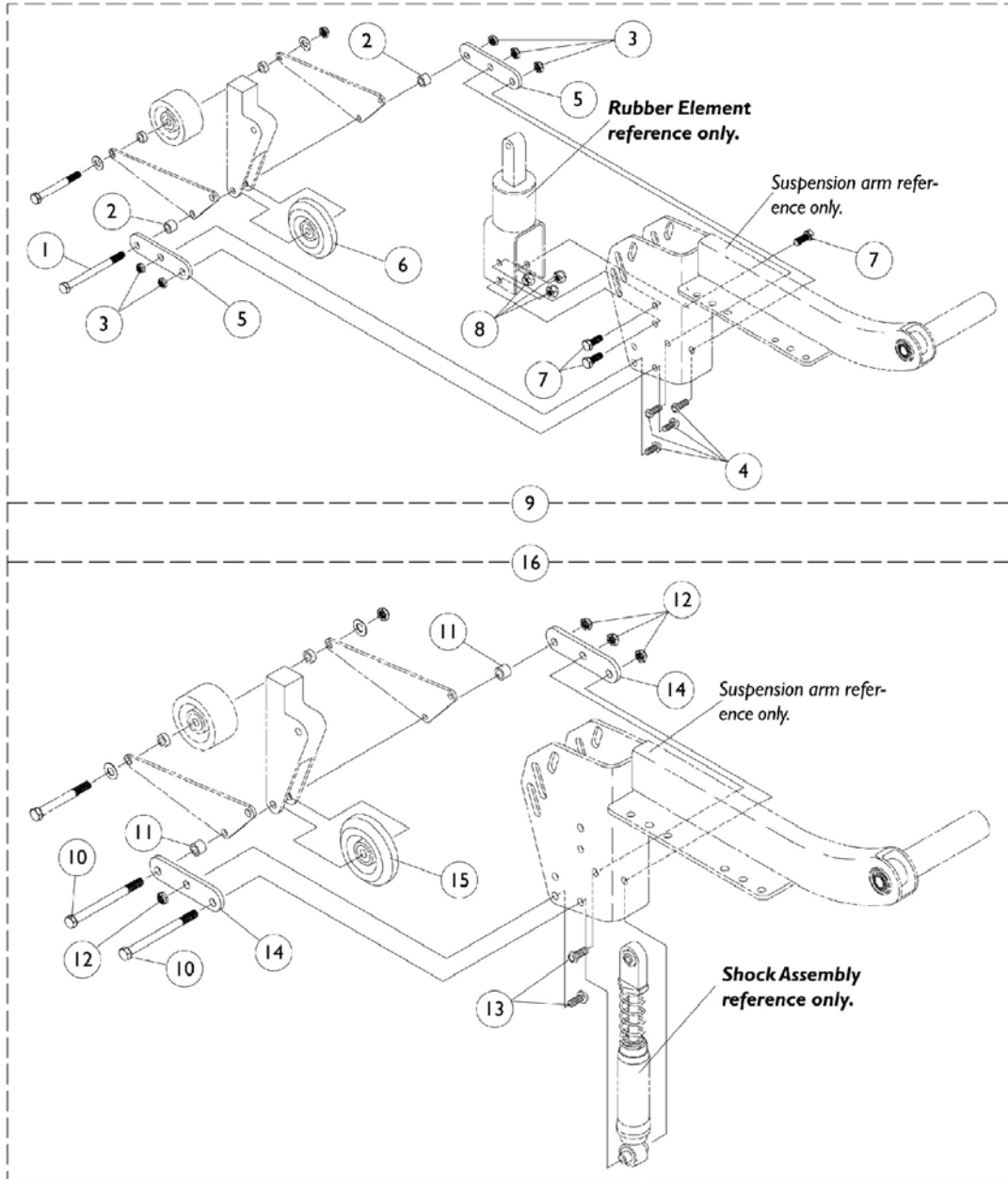
Vent Tray Battery Box and Basket Assembly (After 4/30/96)

Item Number	Note	Part Number	Description	Quantity Per	
				Package	Assembly
1		1095747	Battery Box Top	1	1
2		1057944	Battery Box Bottom with Strap	1	1
3		0299902	Basket, Battery Box	1	1
4		0131906-NLA	Screw, Phillips Pan Head (#10-32 x 3/8")	1	1
5		0296200-NLA	Strap with Buckel (40")	1	1
6		0060000	Rubber Bumper	1	2
7		0301502-NLA	Bracket, Battery Basket (Ranger X Only)	1	1
8		0055006	Locknut, Low Profile (5/16-18)	1	2
9		0224806-NLA	Washer (#10)	1	1
10		7930332	Locknut, High Profile (#10-32)	25	1
11		0258706-NLA	Screw, Hex Head (5/16-18 x 3/4") Ranger X Only)	1	2
12		0215400-NLA	Decal, Tarsys	1	1
13		1072929	Vent Tray Battery Box Assembly	1	1

Anti-Tip Wheel Extension Assembly

Vent Tray Option Only

After 6/30/98, 2nd Generation Suspension Arms



Anti-Tip Wheel Extension Assembly
Vent Tray Option Only
After 6/30/98, 2nd Generation Suspension Arms

Anti-Tip for Rubber Element

Item Number	Note	Part Number	Description	Quantity Per	
				Package	Assembly
1		1070397	Screw, Hex Head (5/16-18 x 3-1/4")	1	2
2		1079782	Spacer (21/64 x 1/2 x 3/8")	1	4
3		1026158	Locknut (5/16-18)	1	10
4		1065215	Screw, Socket Button Head w/ Patch (5/16-18 x 3/4")	1	8
5		1079778	Bracket, Extension, Black	1	4
6		1032190	Wheel 3"	1	2
7		1039860	Screw, Hex Head Cap with Patch (5/16-18 x 3/4")	1	6
8		1028769	Locknut (5/16-18)	1	6
9		1079780	Anti-tip Extension Assembly	1	1

Anti-Tip for Shock Assembly

Item Number	Note	Part Number	Description	Quantity Per	
				Package	Assembly
10		1070397	Screw, Hex Head (5/16-18 x 3-1/4")	1	4
11		1079782	Spacer (21/64 x 1/2 x 3/8")	1	4
12		1026158	Locknut (5/16-18)	1	8
13		1065215	Screw, Socket Button Head w/ Patch (5/16-18 x 3/4")	1	4
14		1079778	Bracket, Extension, Black	1	4
15		1032190	Wheel 3"	1	2
16		1079781	Anti-Tip Extension Assembly	1	1

Retrofit Kits for Storm Power Bases

All Systems

NOTE: Must be a qualified Tarsys Dealer to order retrofit kits.

NOTE: Must have serial number with all retrofit kits.

NOTE: Must indicate what legrest will be used with the power legrest retrofit kit and order the legrest and hanger weldments separately except for Genius legrest kit part number 0220700.

PART NUMBER	ADDING:	TO EXISTING:
0262100-NLA	Tilt	Recline Powerbase
0262200-NLA	Tilt	Recline/VSR Powerbase
8880262300-NLA	Recline	Tilt Powerbase
8880262400-NLA	Recline/VSR	Tilt Powerbase
8880262500-NLA	VSR	Recline Powerbase
0262600	Power Legs Combined <small>See Note(s) A</small>	Tilt Powerbase without T.R.C.M.
0262700	Power Legs Combined <small>See Note(s) A</small>	Recline Powerbase without T.R.C.M.
0262800-NLA	Power Legs Combined	Recline/VSR Powerbase without T.R.C.M.
0262900	Power Legs Individual <small>See Note(s) A</small>	Tilt Powerbase without T.R.C.M.
0263000-NLA	Power Legs Individual <small>See Note(s) A</small>	Recline Powerbase without T.R.C.M.
0263100	Power Legs Individual <small>See Note(s) A</small>	Recline/VSR Powerbase without T.R.C.M.
1088122-NLA	Power Legs Individual or Combined <small>See Note(s) A</small>	All Systems with T.R.C.M.
0220700-NLA	Power Legs for Genius Legrest (Legrest and Hanger Assemblies Included)	All Storm Base Systems without T.R.C.M.(Less Basic Recline-4XP and Basic Tilt)
1088123	Power Legs for Genius Legrest (Legrest and Hanger Assemblies- Not Included)	All Storm Base Systems with T.R.C.M.(Less Basic Recline 4XP and Basic Tilt)

NOTE: A - For AT5544 Legrest and Hanger Assemblies that are not included.

Must be a qualified Tarsys dealer to order Retrofit Kits.

Must have serial number with all Retrofit Kits.

Must indicate what legrest will be used with the power legrest retrofit kit and order the legrest and hanger weldments separately except for Genius legrest kit part number 0220700.

Power Wheelchair Tool Kit

1



Multimeter with Leads



Grounding Wire



1" Test Leads



Protractor/Angle Locator



Invacare Pen Light



Invacare Tape Measure



Invacare Phillips/Flat Head Screwdriver



MKIV Programmer



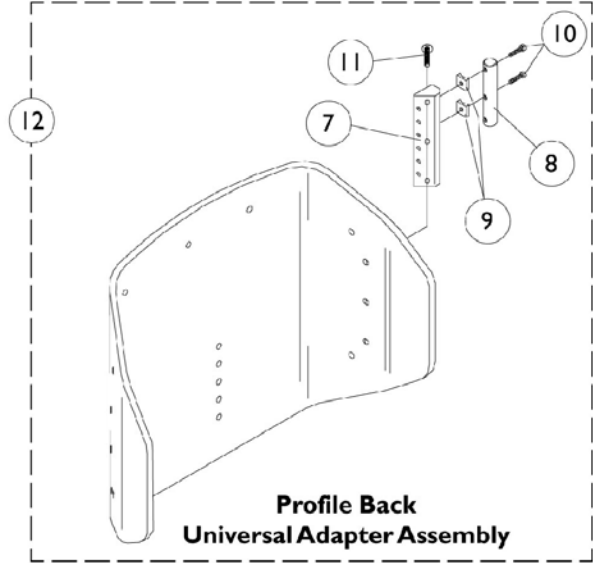
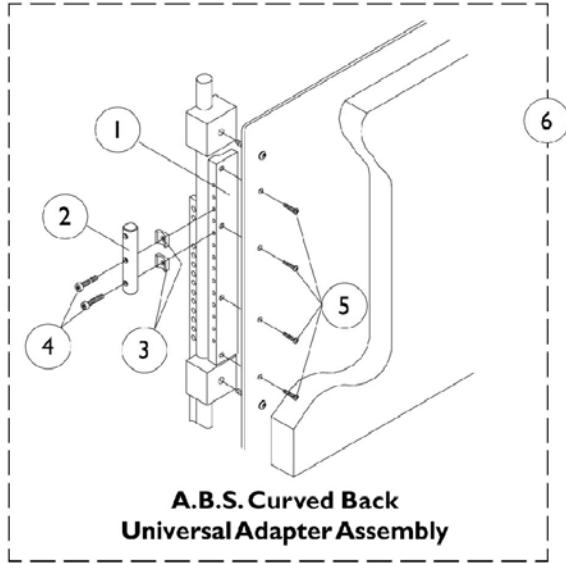
Virtual Service Charger Cable

Power Wheelchair Tool Kit

Item Number	Note	Part Number	Description	Quantity Per	
				Package	Assembly
1		1125222	Kit, Power Wheelchair Tool Includes: 1 ea. Multimeter with Leads 1 ea. Locator, Protractor/Angle Magnetic Base 1 ea. Instructions, MKIV Programmer 1 ea. Wire, Grounding with Hand Strap and Clip 1 ea. Leads, 1" Test 1 ea. Light, Pen with Invacare Logo 1 ea. Tape Measure, Compact with Invacare Logo 1 ea. Screwdriver, Pen-Size Phillips/Flat Head 1 ea. Cable, Virtual Service Charger/Modem	1	1

Miscellaneous Accessories

NOTE: Profile back is not offered on a Basic Recline 4XP



Miscellaneous Accessories

**NOTE: Profile back is not offered on a Basic Recline 4XP
Universal Adapter Assembly, A.B.S. Curved Back**

Item Number	Note	Part Number	Description	Quantity Per	
				Package	Assembly
1		0260522	Multi-Attachment Bar, A.B.S. Curved Back, 5/8" Spacing	1	1
1	A	1072851	Multi-Attachment Bar, A.B.S. Curved Back, 5/8" Spacing	1	1
1		0063522	Multi-Attachment Bar, A.B.S. Curved Back, 3/4" Spacing	1	1
1	A	1072850	Multi-Attachment Bar, A.B.S. Curved Back, 3/4" Spacing	1	1
2		0178922	Bar, Universal Adapter Mounting	1	1
3		0049824	Spacer, Coved (7/8")	1	2
4		0258406	Screw, Socket Head (#10-32 x 1-1/4")	1	2
5		0052906	Screw, Socket Button Head (1/4-20 x 3/4")	1	4
6		0180400	Universal Adapter Assembly, A.B.S. Curved Back, 5/8" Spacing	1	1
6	A	1084663	Universal Adapter Assembly, A.B.S. Curved Back, 5/8" Spacing	1	1
6		0138200	Universal Adapter Assembly, A.B.S. Curved Back, 3/4" Spacing	1	1
6	A	1084664	Universal Adapter Assembly, A.B.S. Curved Back, 3/4" Spacing	1	1

NOTE: A - Use for 14" Back Heights Only.

Universal Adapter Assembly, Profile Back

Item Number	Note	Part Number	Description	Quantity Per	
				Package	Assembly
7		0260422	Bar, Multi-Attachment	1	1
7		0179022	Bar, Multi-Attachment	1	1
8		0178922	Bar, Universal Adapter Mounting	1	1
9		0049824	Spacer, Coved (7/8")	1	2
10		0258406	Screw, Socket Head (#10-32 x 1-1/4")	1	2
11		1077793	Screw, Socket Head Cap (1/4-20 x 3/4")	1	3
12		0311300	Universal Adapter Assembly, Profile Back, 5/8" Spacing	1	1
12		0180300	Universal Adapter Assembly, Profile Back, 3/4" Spacing	1	1
	A	0202400	Back Pack, Basic Tilt and Tilt Only	1	1
	A	0143700	Back Pack, Basic Recline 4XP	1	1
	A	0143800-NLA	Back Pack, Tilt/Recline and Recline Only	1	1
	A	0020200	Legrest Pad w/ Screws, Otto Bock (6" Wide x 9" High)	1	1
	A	0020300	Adapter Plate, Otto Bock Legrest Pad	1	1

NOTE: A - Not Shown

Invacare Corporation

www.invacare.com



Yes, you can.™

One Invacare Way
Elyria, Oh USA
44036-2125
800-333-6900

Technical Support
800-832-4707
Florida Technical Support
407-321-5630

Customer Service
800-333-6900

©2008 Invacare Corporation. Elyria, Ohio.
All rights reserved. Trademarks are
identified by the symbols™ and®. All
trademarks are owned by or licensed to
Invacare Corporation unless otherwise
noted. Otto Bock is a registered trademark
of Otto Bock Orthopaedische Industrie
GMBH & Co.. SKF is a registered trademark
of SKF Industries, Inc.. Motion Systems is a
registered trademark of Motion Systems
Corporation. (Revised 7/7/08)

Form No. 96-194